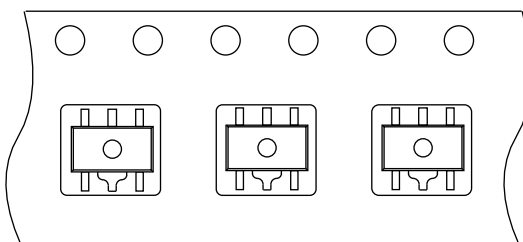
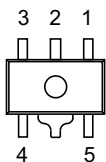
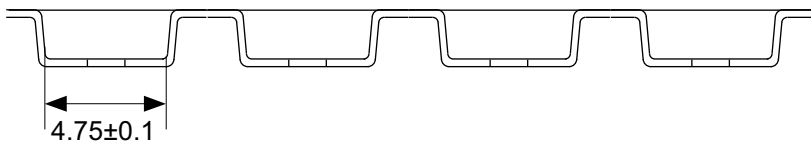
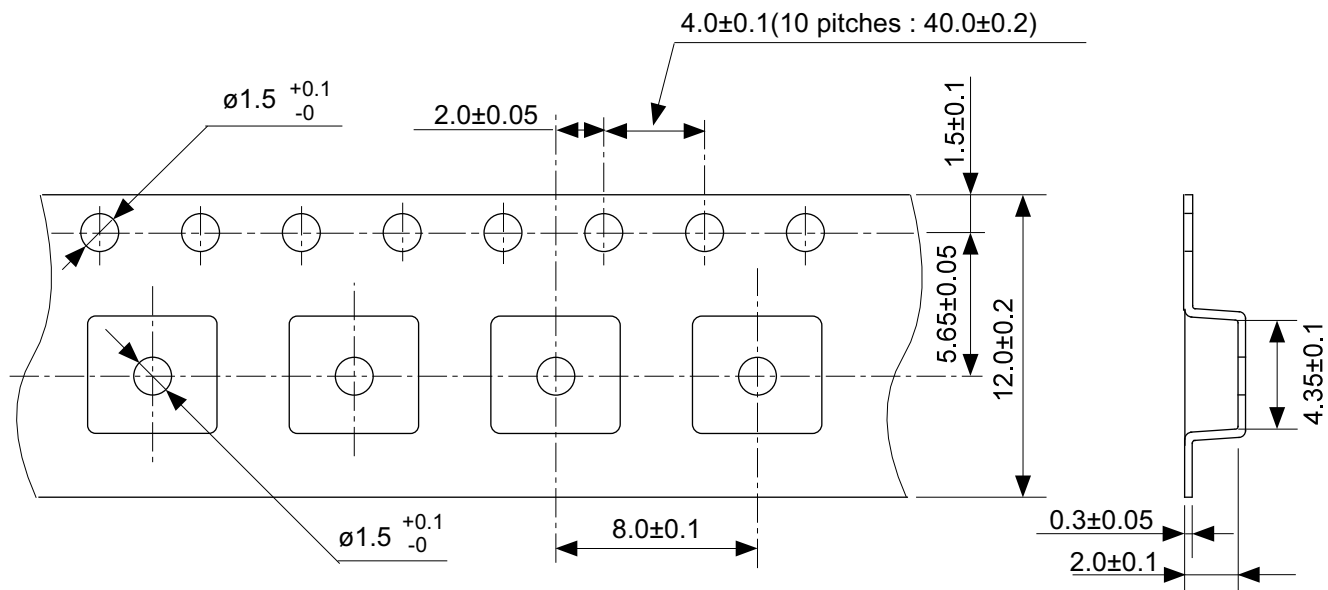


No. UP005-A-P-SD-2.0

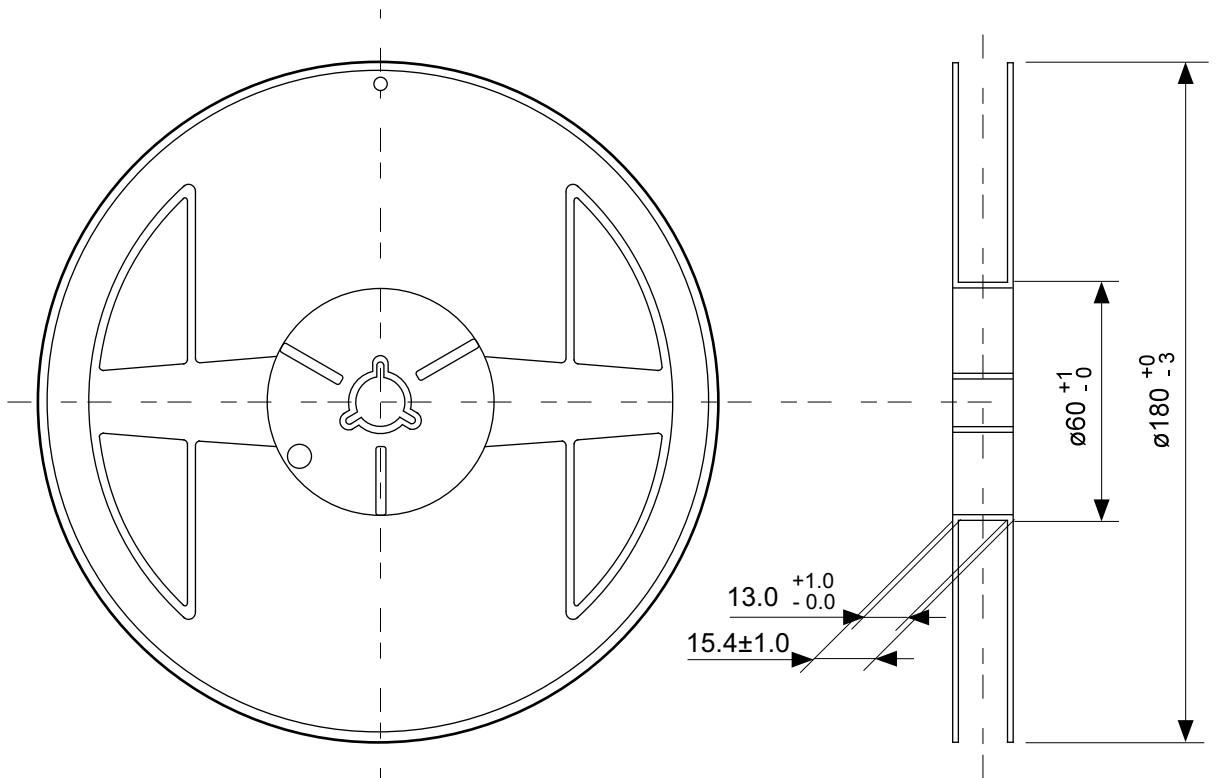
TITLE	SOT895-A-PKG Dimensions
No.	UP005-A-P-SD-2.0
ANGLE	
UNIT	mm
ABLIC Inc.	



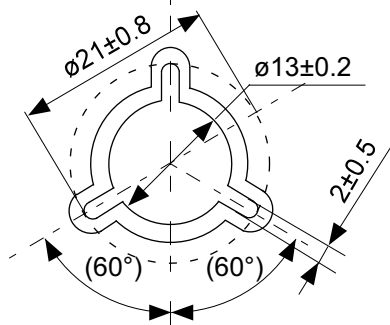
→
Feed direction

No. UP005-A-C-SD-2.0

TITLE	SOT895-A-Carrier Tape
No.	UP005-A-C-SD-2.0
ANGLE	
UNIT	mm
ABLIC Inc.	

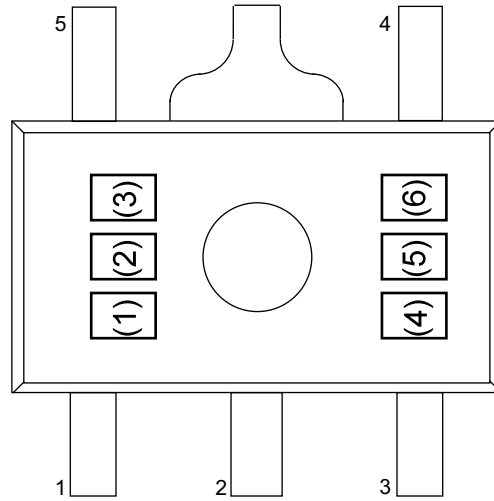


Enlarged drawing in the central part



No. UP005-A-R-SD-2.0

TITLE	SOT895-A-Reel		
No.	UP005-A-R-SD-2.0		
ANGLE		QTY.	1,000
UNIT	mm		
ABLIC Inc.			



(1) to (3) : Product code

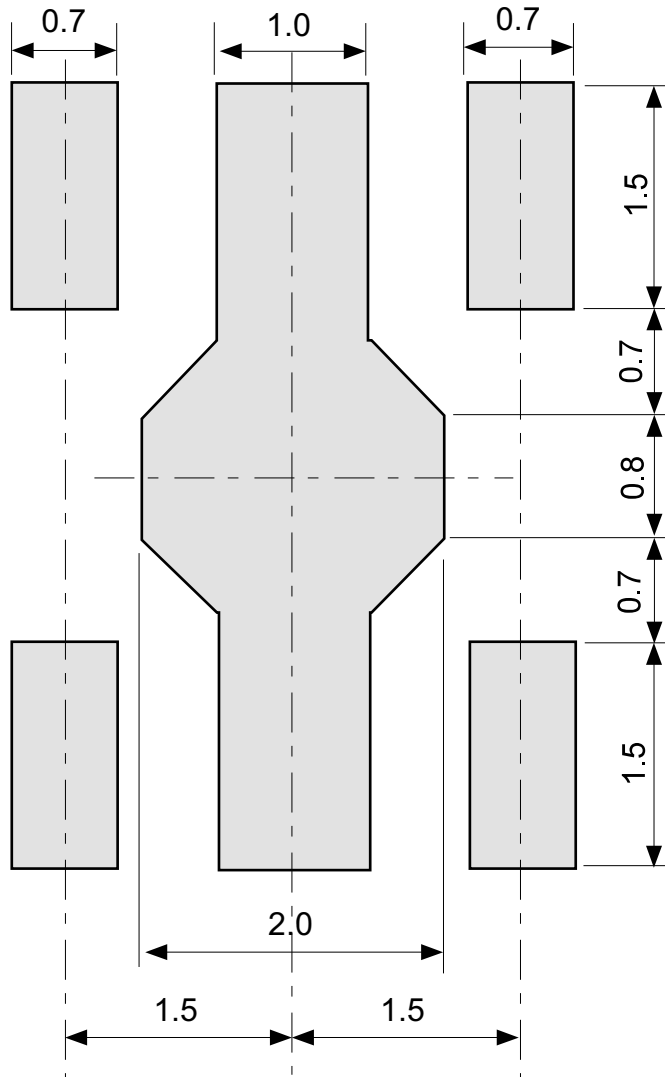
(4) : Year of assembly

(5) : Month of assembly

(6) : Week of assembly

No. UP005-A-M-S1-1.1

TITLE	SOT895-A-Markings		
No.	UP005-A-M-S1-1.1		
ANGLE			
UNIT		TYPE	LASER
ABLIC Inc.			



No. UP005-A-L-S1-1.0

TITLE	SOT895-A -Land Recommendation
No.	UP005-A-L-S1-1.0
ANGLE	
UNIT	mm
ABLIC Inc.	