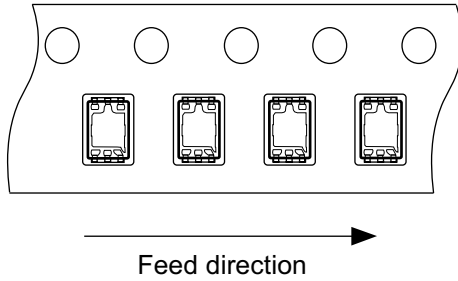
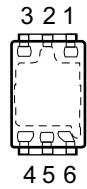
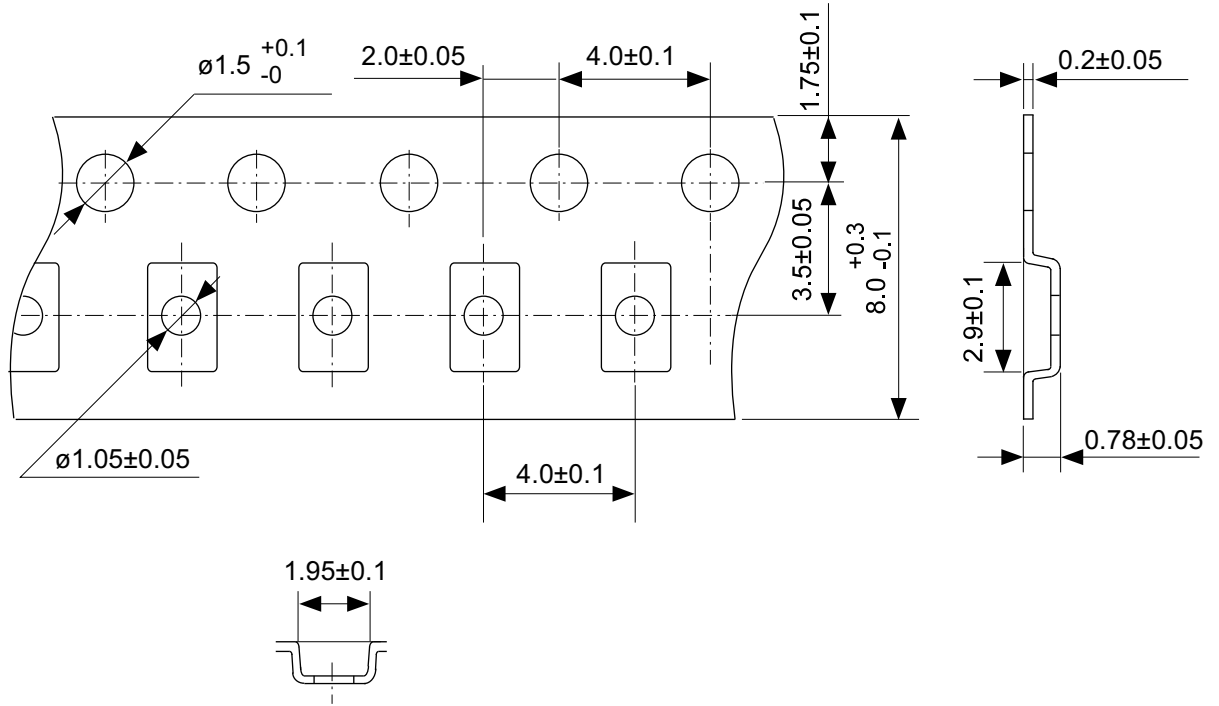


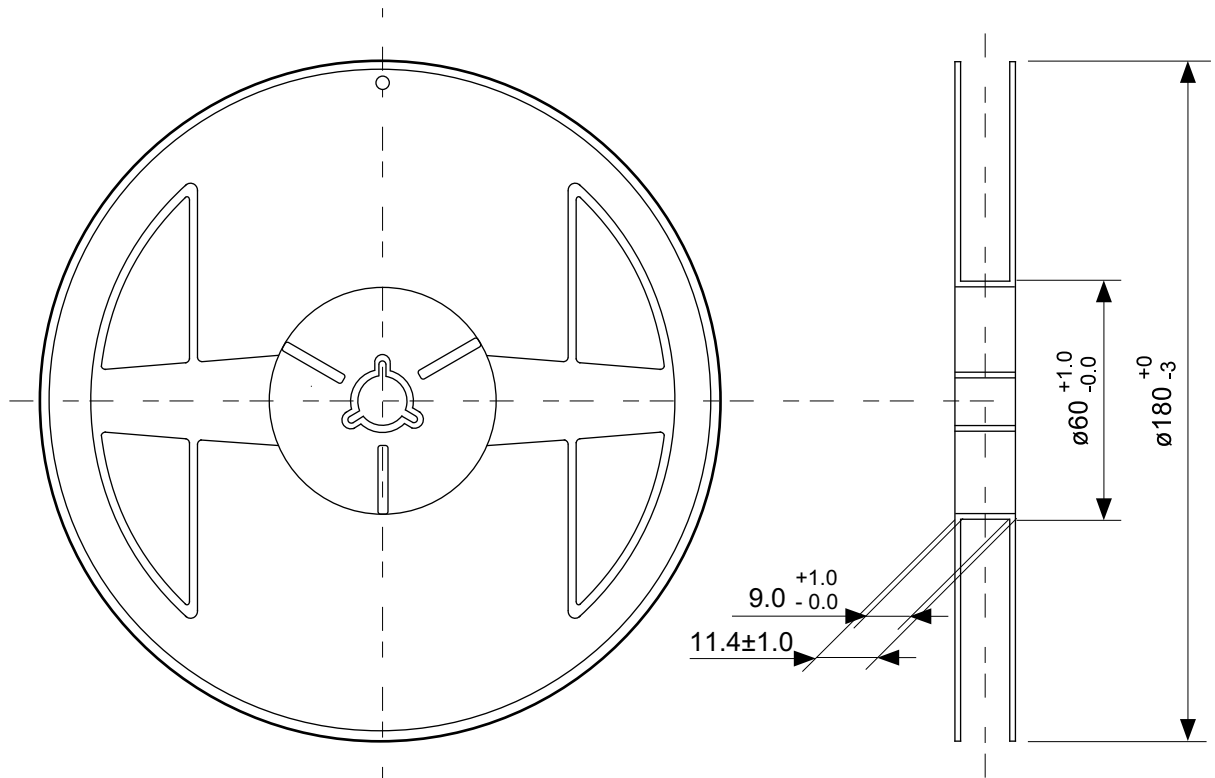
No. PZ006-A-P-SD-1.0

TITLE	SON-6C-A-PKG Dimensions
No.	PZ006-A-P-SD-1.0
ANGLE	
UNIT	mm
<b>ABLIC Inc.</b>	

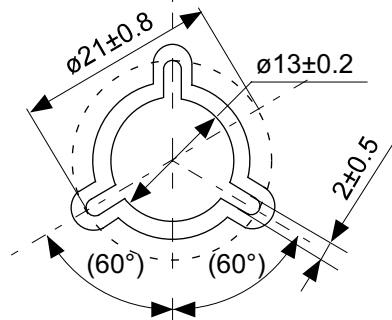


No. PZ006-A-C-SD-1.0

TITLE	SON-6C-A-Carrier Tape
No.	PZ006-A-C-SD-1.0
ANGLE	
UNIT	mm
<b>ABLIC Inc.</b>	

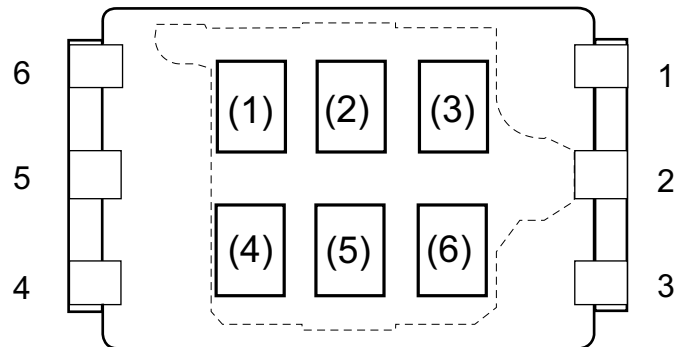


Enlarged drawing in the central part



No. PZ006-A-R-SD-1.0

TITLE	SON-6C-A-Reel		
No.	PZ006-A-R-SD-1.0		
ANGLE		QTY	3000
UNIT	mm		
<b>ABLIC Inc.</b>			



**【Back】**

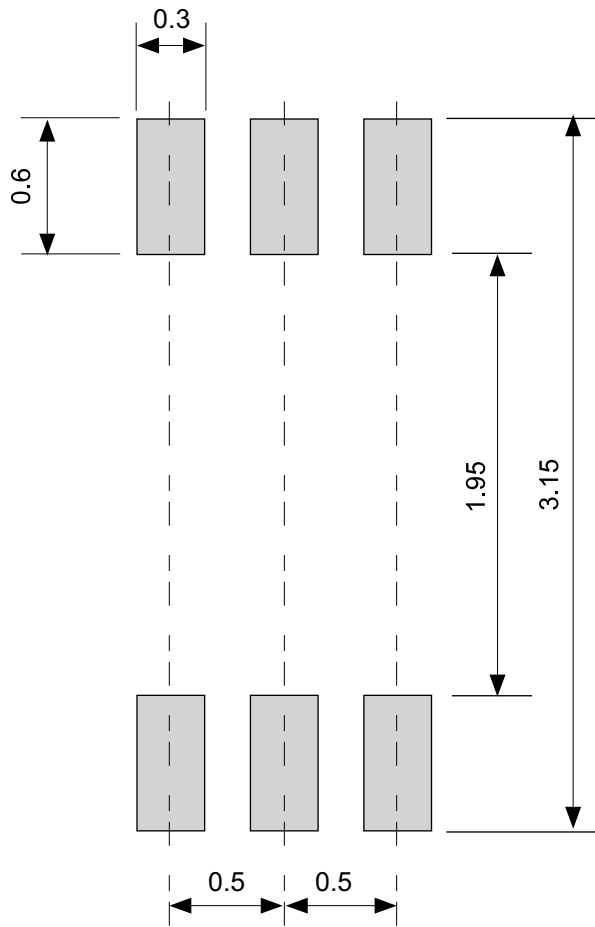
(1) to (3) : Product code

(4) : Year of assembly

(5) , (6) : Week of assembly (Code of 53 week at 1 year)

No. PZ006-A-M-SD-1.0

TITLE	SON-6C-A-Markings		
No.	MP006-A-M-SD-1.0		
ANGLE			
UNIT		TYPE	LASER
<b>ABLIC Inc.</b>			



No. MP006-A-L-SD-1.1

TITLE	SON-6C-A -Land Recommendation
No.	PZ006-A-L-SD-0.0
ANGLE	
UNIT	mm
<b>ABLIC Inc.</b>	