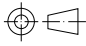
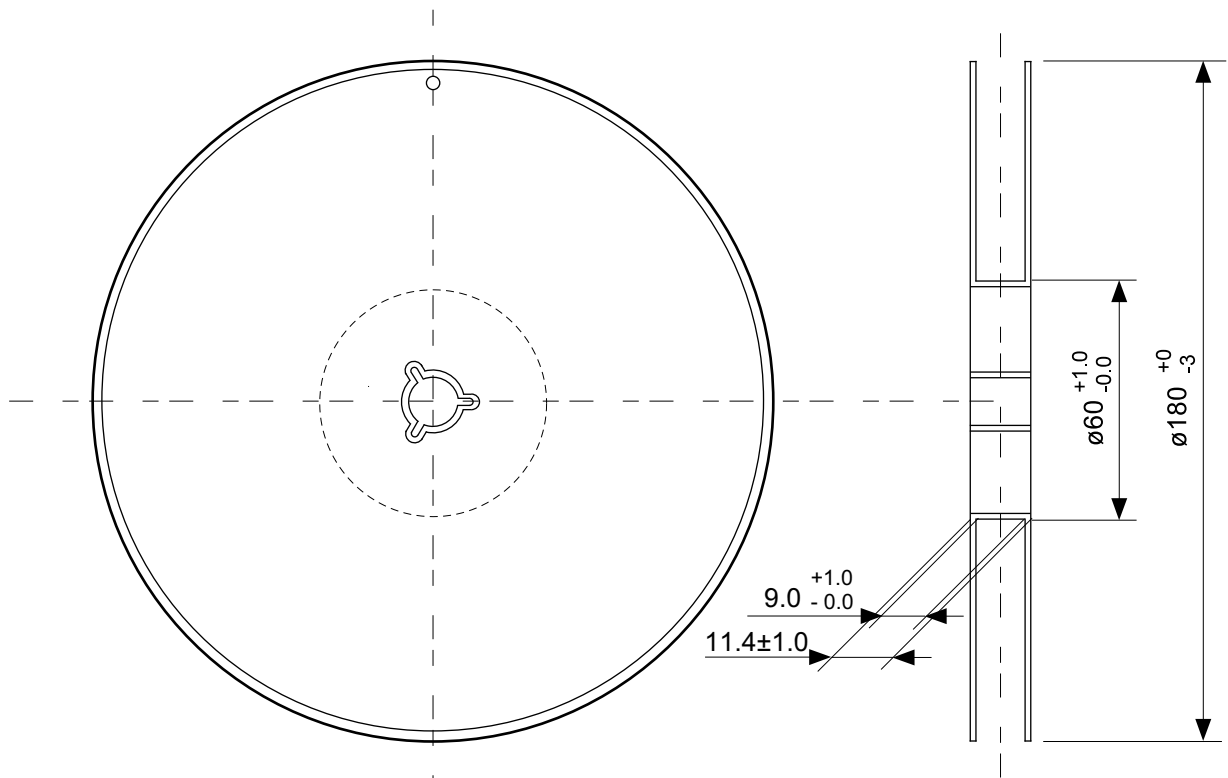


※ The heat sink of back side has different electric potential depending on the product.  
 Confirm specifications of each product.  
 Do not use it as the function of electrode.

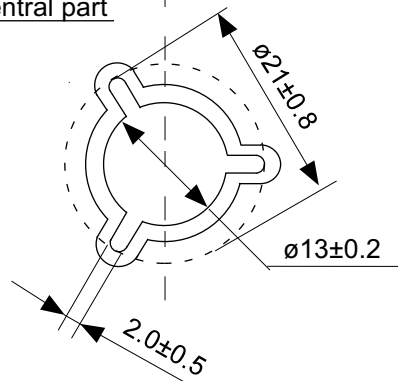
No. PW008-A-P-SD-1.0

TITLE	DFN-8-C-PKG Dimensions
No.	PW008-A-P-SD-1.0
ANGLE	
UNIT	mm
<b>ABLIC Inc.</b>	



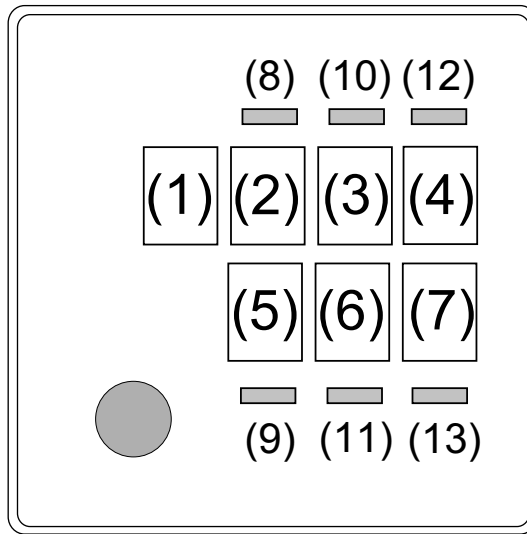


Enlarged drawing in the central part



No. PW008-A-R-SD-1.0

TITLE	DFN-8-C-Reel		
No.	PW008-A-R-SD-1.0		
ANGLE		QTY.	5,000
UNIT	mm		
<b>ABLIC Inc.</b>			



(1) to (4) : Product code

(5) to (7) : Lot No.

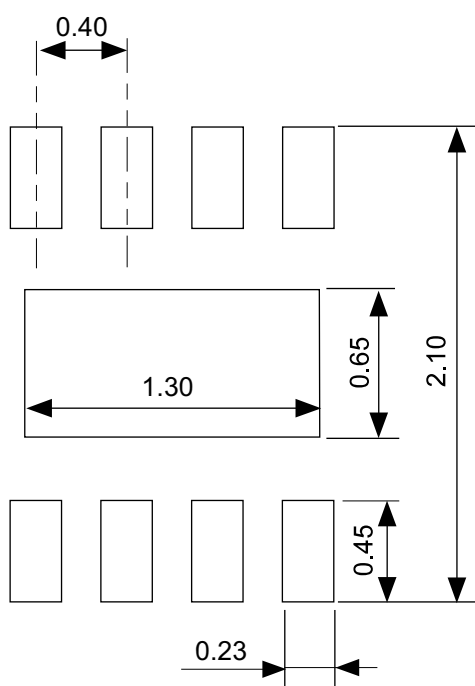
(8) , (9) : Year of assembly (bar )

(10) to (13) : Month of assembly (bar)

● : 1 Pin mark

No. PW008-A-M-SD-1.0

TITLE	DFN-8-C- Markings		
No.	PW008-A-M-SD-1.0		
ANGLE			
UNIT		TYPE	LASER
<b>ABLIC Inc.</b>			



Caution It is recommended to solder the heat sink to a board in order to ensure the heat radiation.

注意 放熱性を確保する為に、PKGの裏面放熱板(ヒートシンク)を基板に半田付けする事を推奨いたします。

No. PW008-A-L-SD-1.0

TITLE	DFN-8-C -Land Recommendation
No.	PW008-A-L-SD-1.0
ANGLE	
UNIT	mm
<b>ABLIC Inc.</b>	