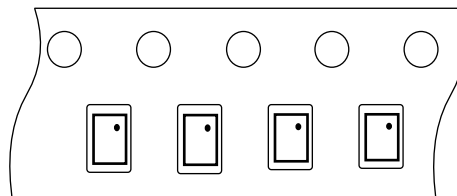
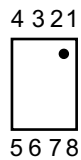
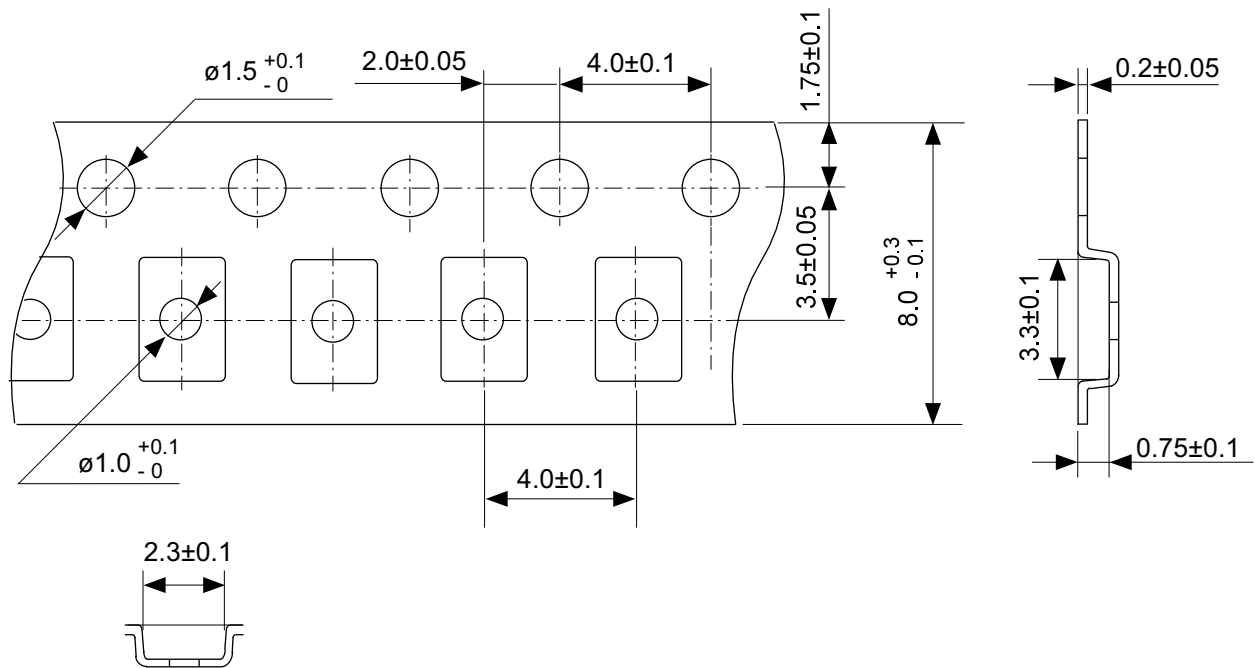


※ The heat sink of back side has different electric potential depending on the product.  
 Confirm specifications of each product.  
 Do not use it as the function of electrode.

No. PQ008-A-P-SD-3.0

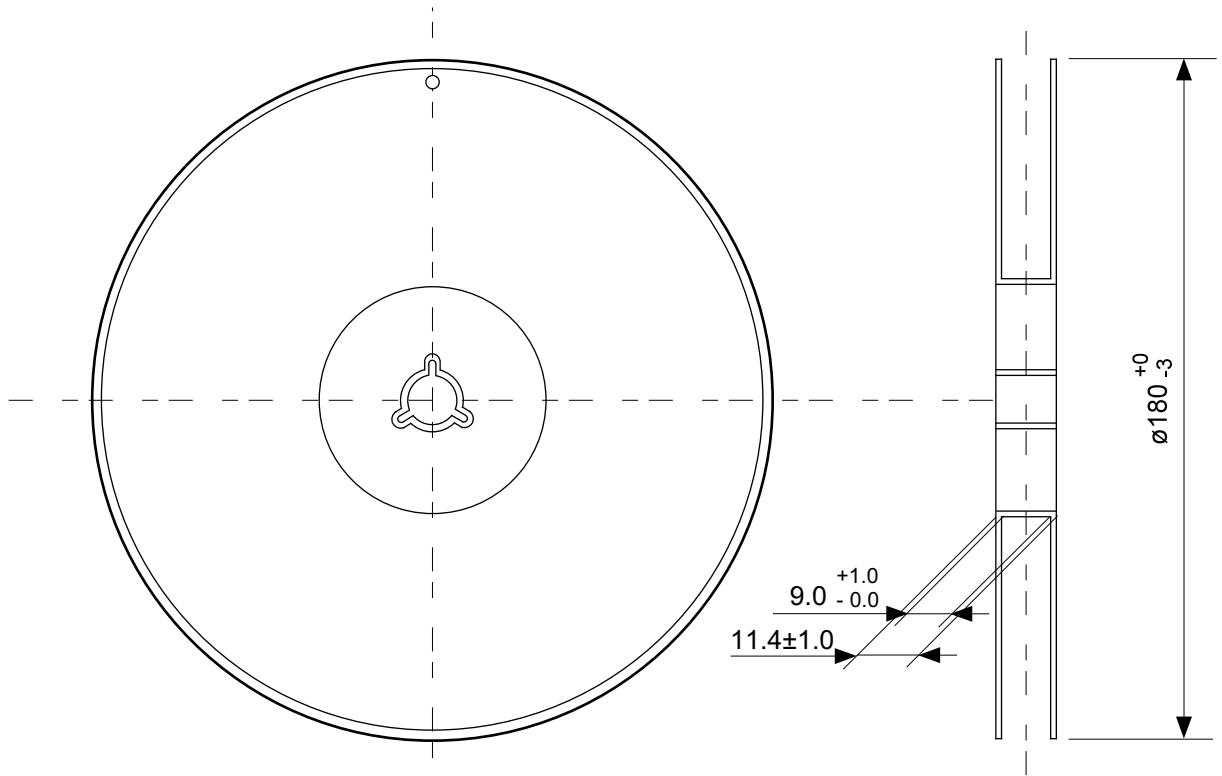
TITLE	DFN-8-A-PKG Dimensions
No.	PQ008-A-P-SD-3.0
ANGLE	
UNIT	mm
<b>ABLIC Inc.</b>	



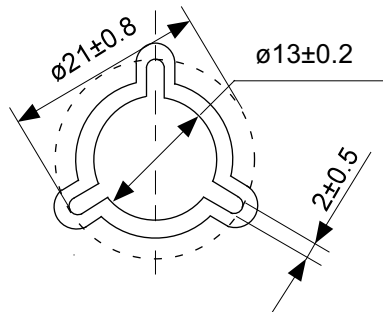
Feed direction

No. PQ008-A-C-SD-1.0

TITLE	DFN-8-A-Carrier Tape
No.	PQ008-A-C-SD-1.0
ANGLE	
UNIT	mm
<b>ABLIC Inc.</b>	

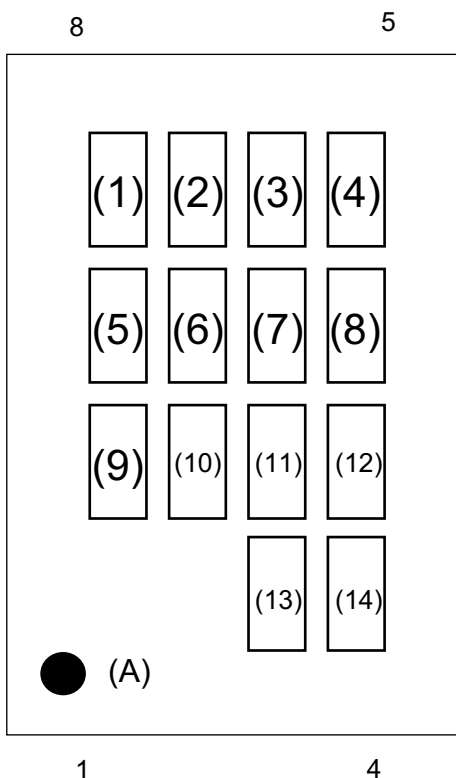


Enlarged drawing in the central part



No. PQ008-A-R-SD-2.0

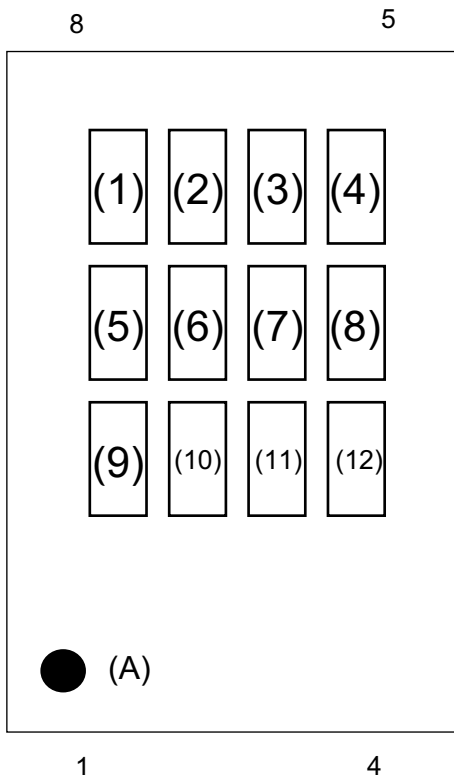
TITLE	DFN-8-A-Reel		
No.	PQ008-A-R-SD-2.0		
ANGLE		QTY.	5,000
UNIT	mm		
<b>ABLIC Inc.</b>			



- (1) to (8) : Product code
- (9) : Assembly code
- (10) : Year of assembly
- (11) : Month of assembly
- (12) to (14) : Lot No. code
- (A) : 1 Pin mark

No. PQ008-A-M-SD-1.0

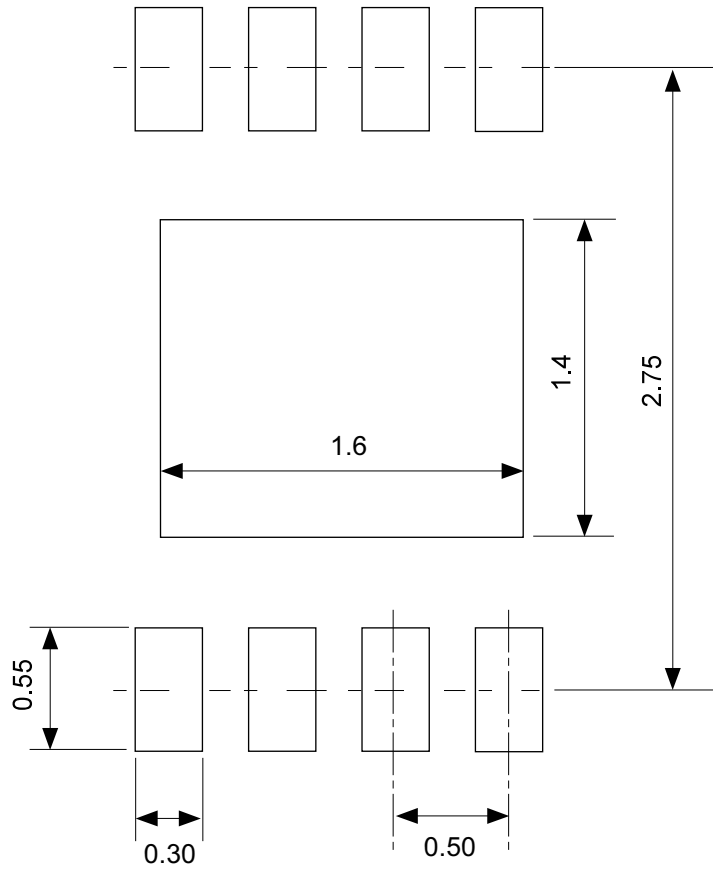
TITLE	DFN-8-A-Markings		
No.	PQ008-A-M-SD-1.0		
ANGLE			
UNIT		TYPE	LASER
<b>ABLIC Inc.</b>			



- (1) to (5) : Product code
- (6) : Assembly code
- (7) : Year of assembly
- (8) : Month of assembly
- (9) to (12) : Lot No. code
- (A) : 1 Pin mark

No. PQ008-A-M-S1-1.0

TITLE	DFN-8-A-Markings		
No.	PQ008-A-M-S1-1.0		
ANGLE			
UNIT		TYPE	LASER
<b>ABLIC Inc.</b>			



No. PQ008-A-L-SD-1.0

TITLE	DFN-8-A-Land Recommendation
No.	PQ008-A-L-SD-1.0
ANGLE	
UNIT	mm
<b>ABLIC Inc.</b>	