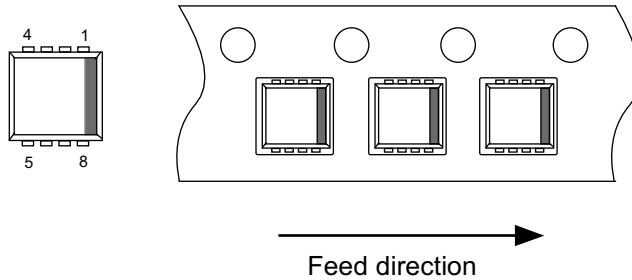
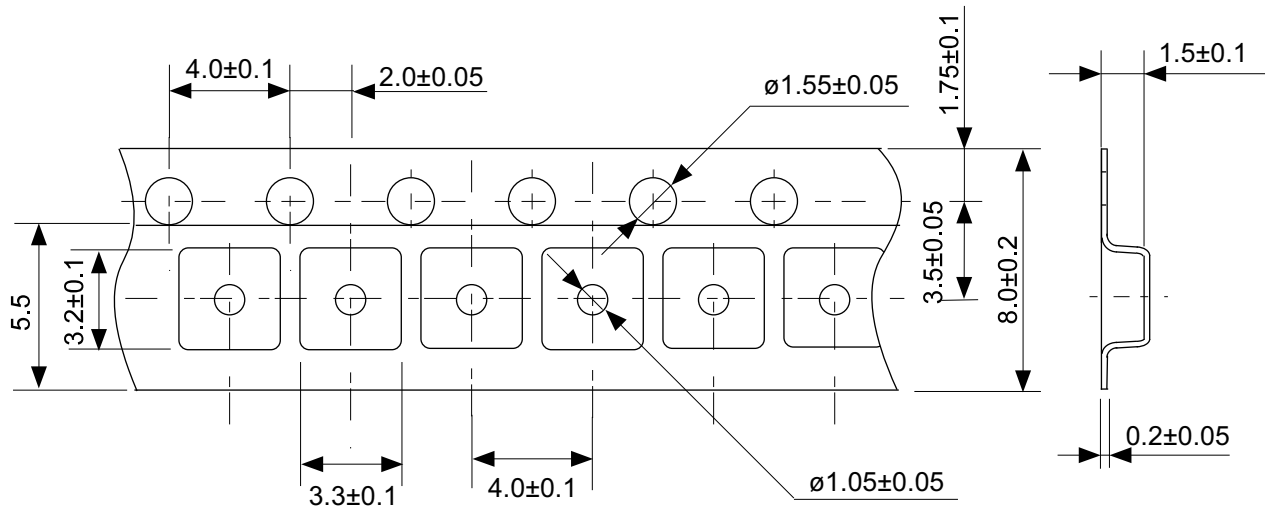


No. PN008-A-P-SD-2.0

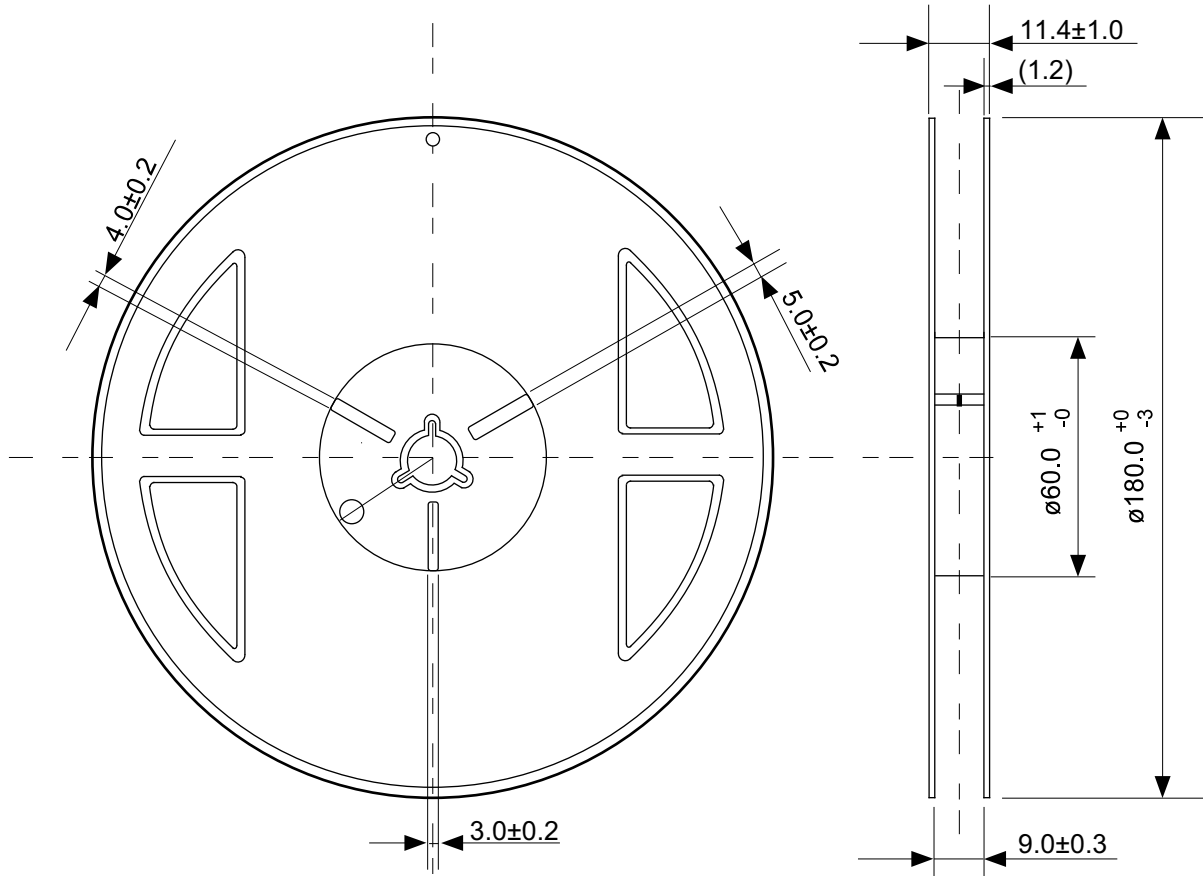
TITLE	SON8A-A-PKG Dimensions
No.	PN008-A-P-SD-2.0
ANGLE	
UNIT	mm

ABLIC Inc.

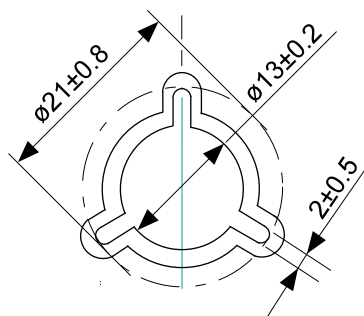


No. PN008-A-C-SD-1.1

TITLE	SON8A-A-Carrier Tape
No.	PN008-A-C-SD-1.1
ANGLE	
UNIT	mm
ABLIC Inc.	

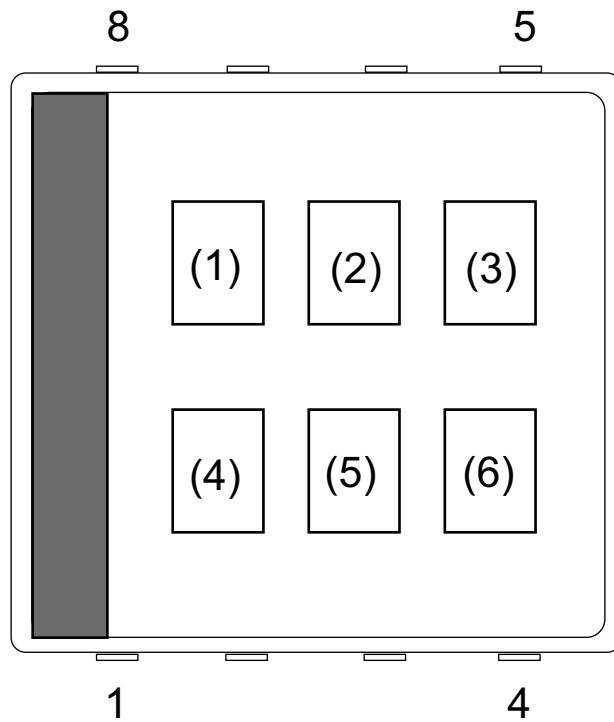


Enlarged drawing in the central part



No. PN008-A-R-SD-1.1

TITLE	SON8A-A-Reel		
No.	PN008-A-R-SD-1.1		
ANGLE		QTY.	3,000
UNIT	mm		
ABLIC Inc.			



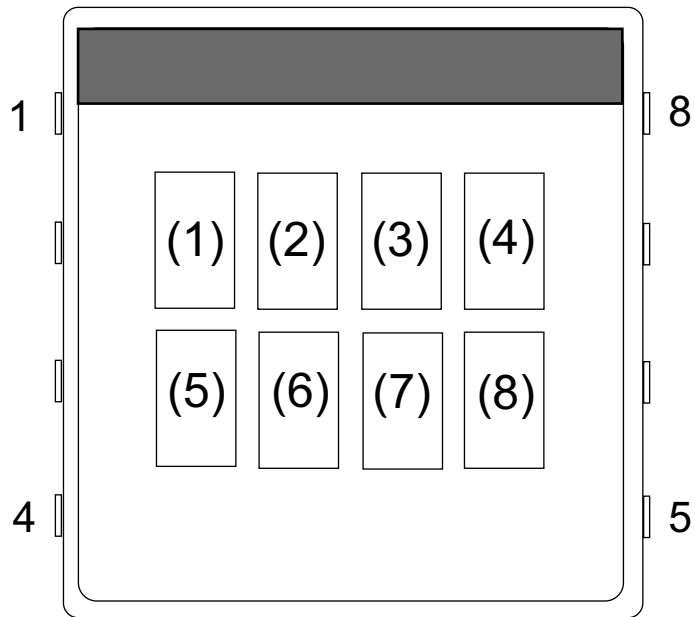
(1) to (3) : Product code

(4) : Year of assembly

(5) , (6) : Lot No. code

No. PN008-A-M-SD-1.1

TITLE	SON8A-A-Markings
No.	PN008-A-M-SD-1.1
ANGLE	
UNIT	
ABLIC Inc.	

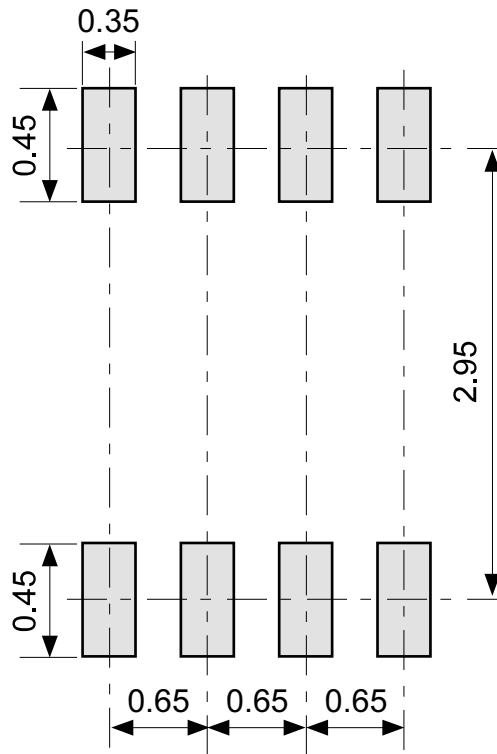


(1) to (3) : Product code

(4) to (8) : Lot No. code

No. PN008-A-M-S1-1.0

TITLE	SON8A-A-Markings
No.	PN008-A-M-S1-1.0
ANGLE	
UNIT	
ABLIC Inc.	



No. PN008-A-L-SD-1.1

TITLE	SON8A-A -Land Recommendation
No.	PN008-A-L-SD-1.1
ANGLE	
UNIT	mm
ABLIC Inc.	