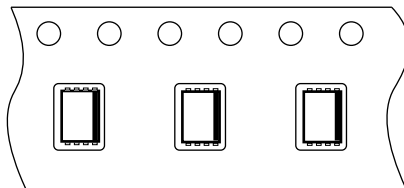
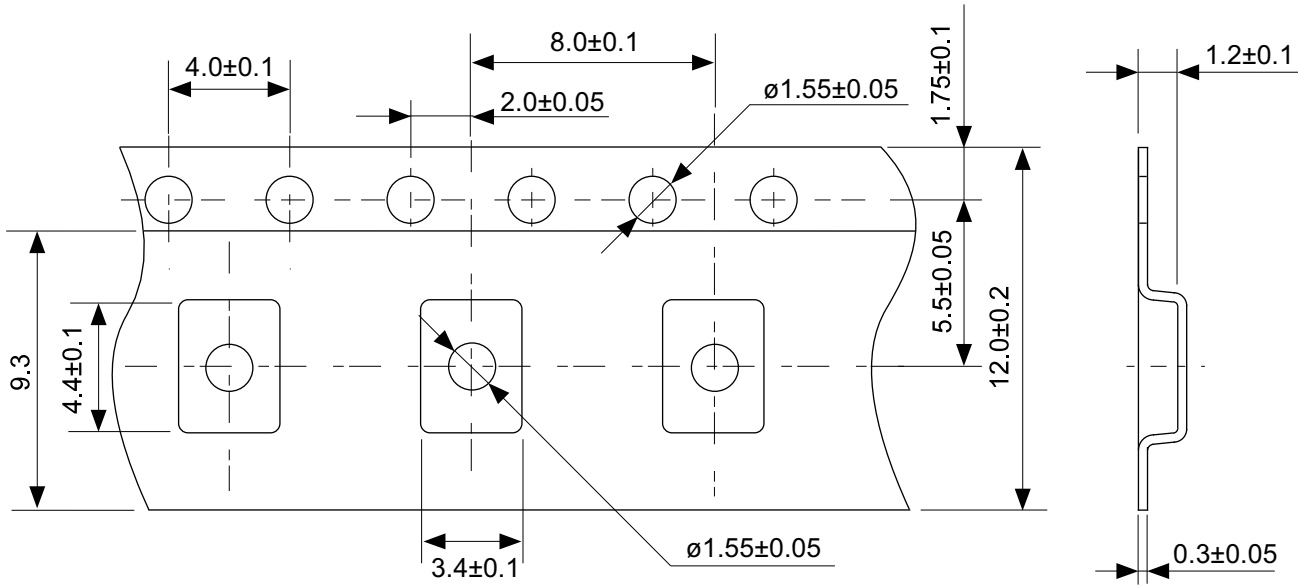


No. PA008-B-P-SD-4.0

TITLE	SON8B-B-PKG Dimensions
No.	PA008-B-P-SD-4.0
ANGLE	
UNIT	mm
ABLIC Inc.	

The information herein is subject to change without notice.

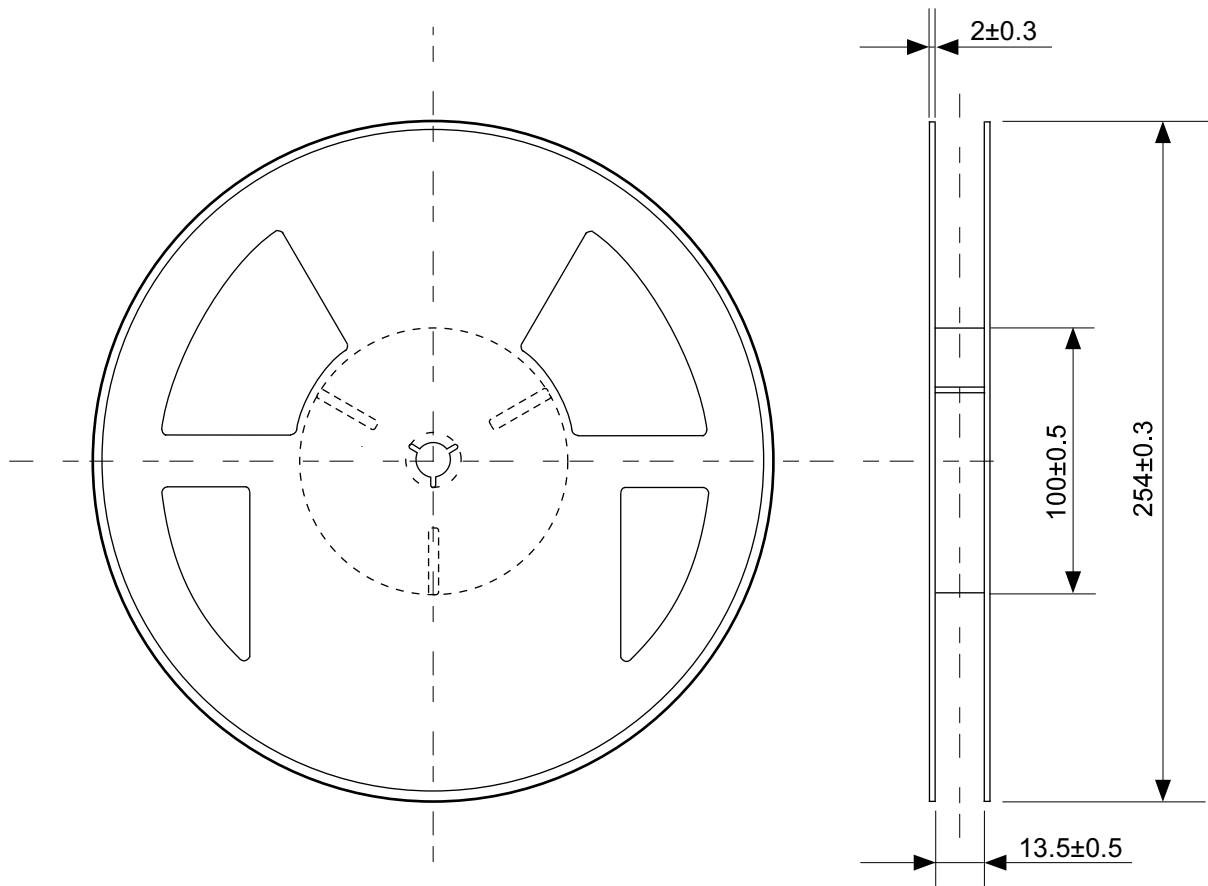


→
Feed direction

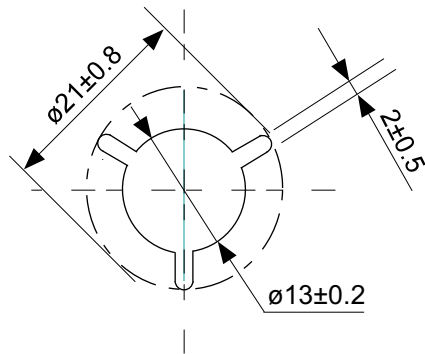
No. PA008-B-C-SD-1.1

TITLE	SON8B-B-Carrier Tape
No.	PA008-B-C-SD-1.1
ANGLE	
UNIT	mm

ABLIC Inc.



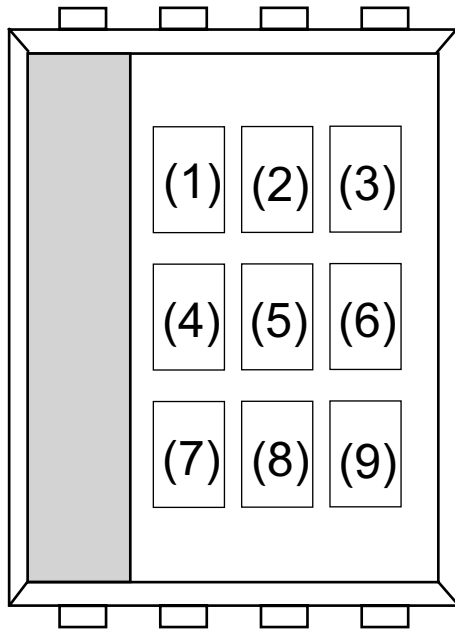
Enlarged drawing in the central part



No. PA008-B-R-SD-1.1

TITLE	SON8B-B-Reel		
No.	PA008-B-R-SD-1.1		
ANGLE		QTY.	3,000
UNIT	mm		
ABLIC Inc.			

The information herein is subject to change without notice.



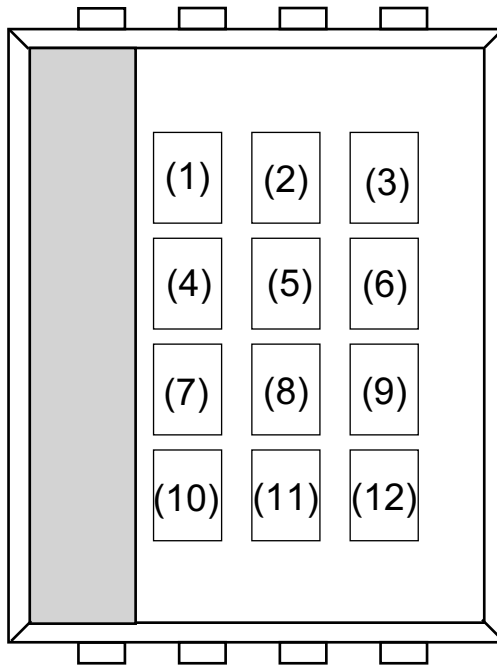
(1) to (5) or (6) : Product code

(6) or (7) to (9) : Lot No. code

■ : 1#Pin discrimination mark

No. PA008-B-M-SD-1.1

TITLE	SON8B-B-Markings
No.	PA008-B-M-SD-1.1
ANGLE	
UNIT	
ABLIC Inc.	



(1) to (7) : Product code

(8) to (12) : Lot No. code

■ : 1#Pin discrimination mark

No. PA008-B-M-S1-2.1

TITLE	SON8B-B-Markings
No.	PA008-B-M-S1-2.1
ANGLE	
UNIT	
ABLIC Inc.	