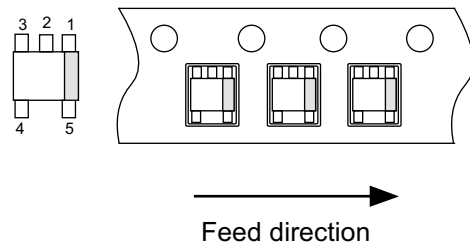
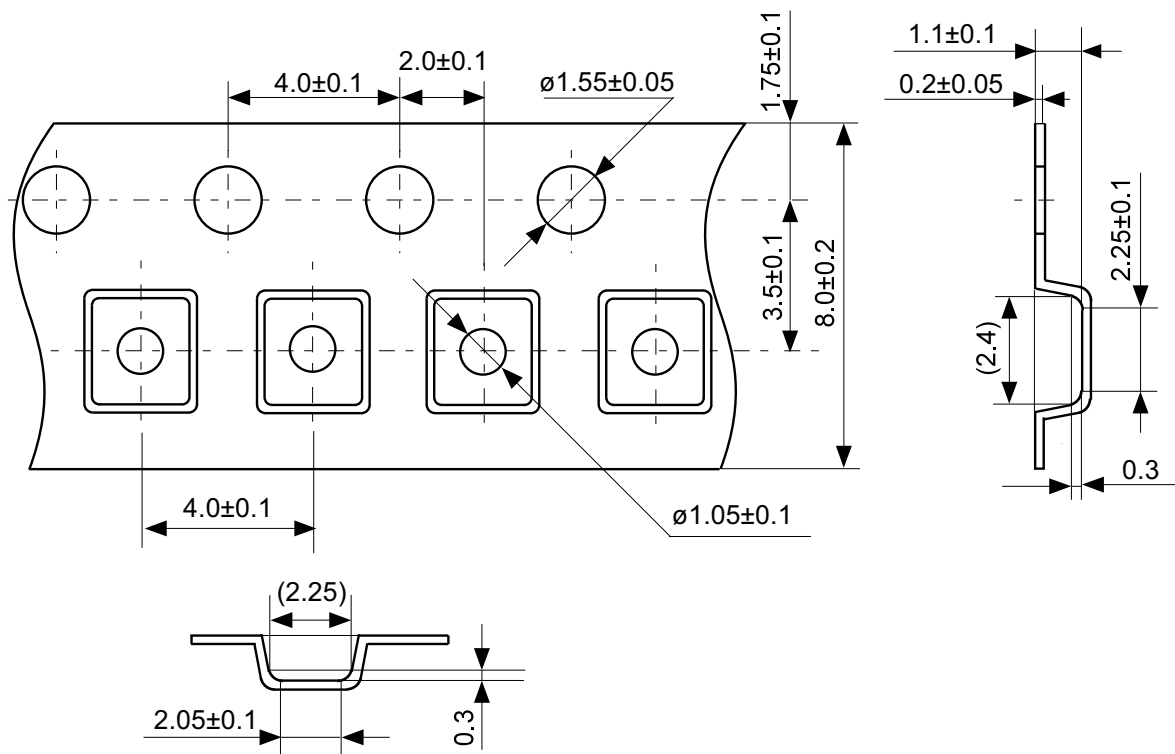


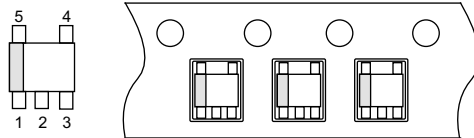
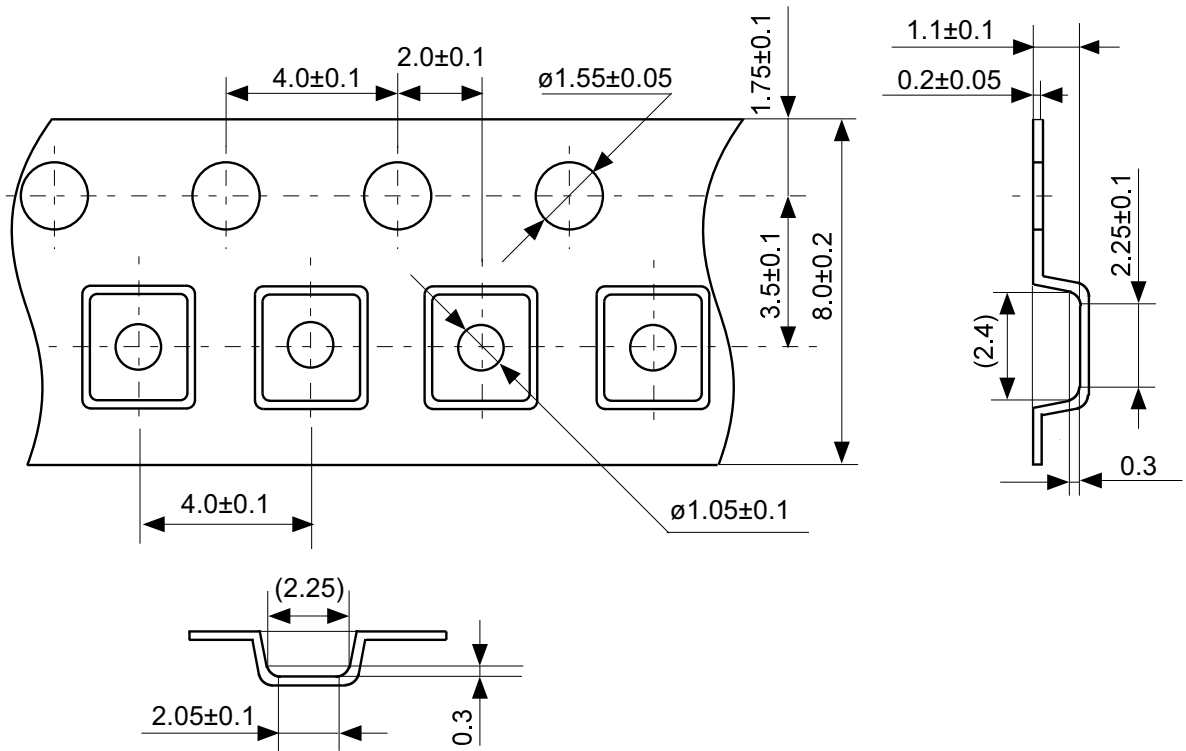
No. NP005-B-P-SD-1.2

TITLE	SC88A-B-PKG Dimensions
No.	NP005-B-P-SD-1.2
ANGLE	
UNIT	mm
<b>ABLIC Inc.</b>	



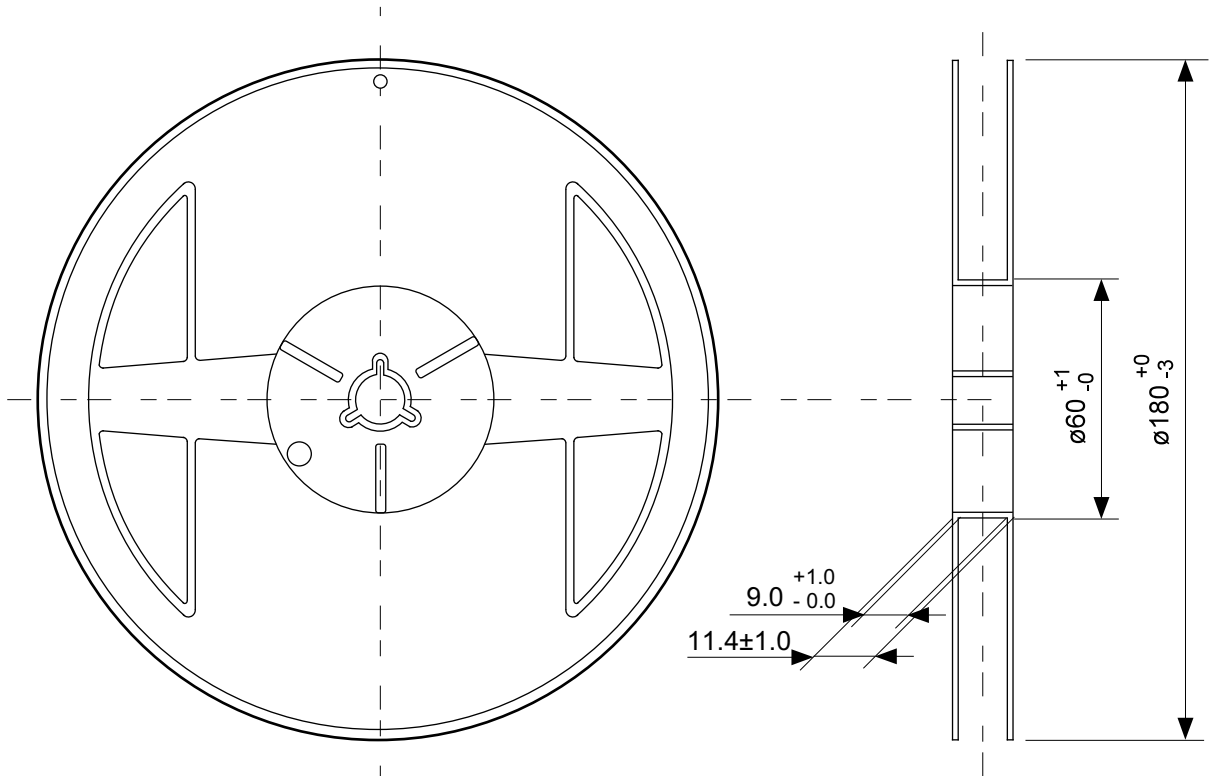
No. NP005-B-C-SD-2.0

TITLE	SC88A-B-Carrier Tape
No.	NP005-B-C-SD-2.0
ANGLE	
UNIT	mm
<b>ABLIC Inc.</b>	

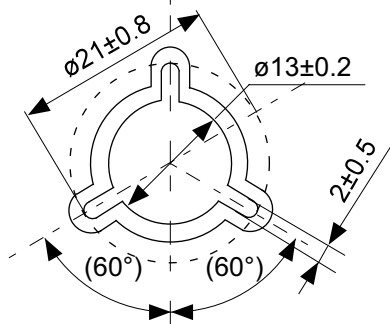


No. NP005-B-C-S1-2.0

TITLE	SC88A-B-Carrier Tape
No.	NP005-B-C-S1-2.0
ANGLE	
UNIT	mm
<b>ABLIC Inc.</b>	

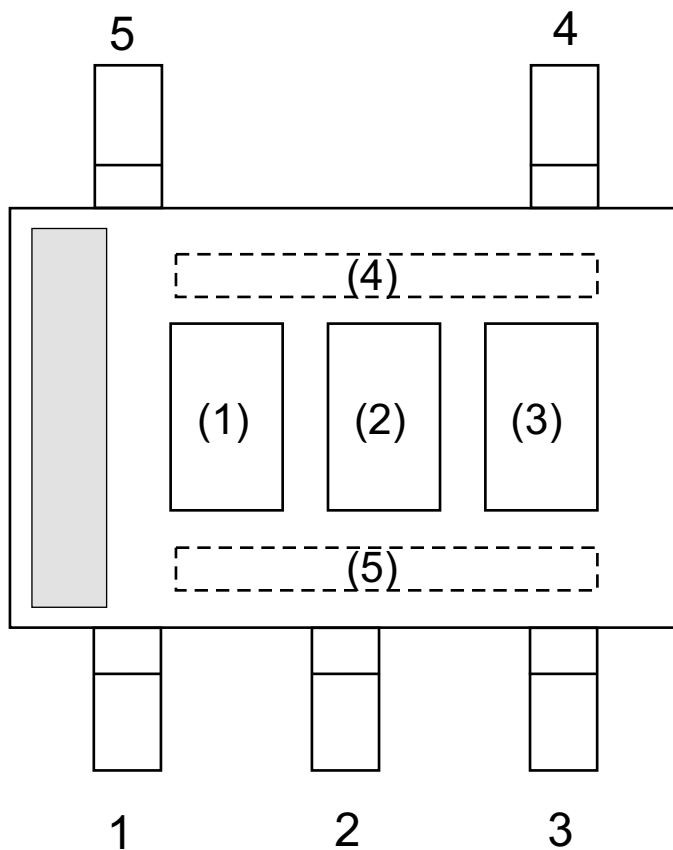


Enlarged drawing in the central part



No. NP005-B-R-SD-3.0

TITLE	SC88A-B-Reel		
No.	NP005-B-R-SD-3.0		
ANGLE		QTY.	3,000
UNIT	mm		
<b>ABLIC Inc.</b>			



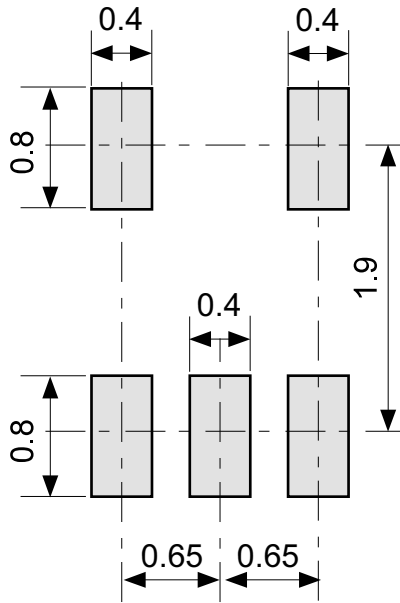
(1) to (3) : Product code

(4) : Year of assembly (Dot)

(5) : Month of assembly (Dot)

No. NP005-B-M-SD-1.1

TITLE	SC88A-B-Markings		
No.	NP005-B-M-SD-1.1		
ANGLE			
UNIT		TYPE	LASER
<b>ABLIC Inc.</b>			



No. NP005-B-L-SD-1.1

TITLE	SC88A-B -Land Recommendation
No.	NP005-B-L-SD-1.1
ANGLE	
UNIT	mm
<b>ABLIC Inc.</b>	