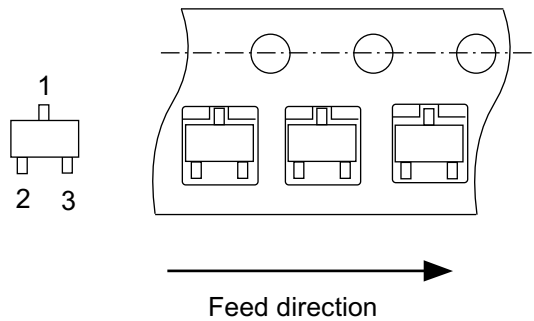
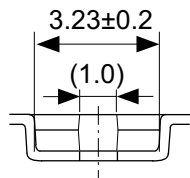
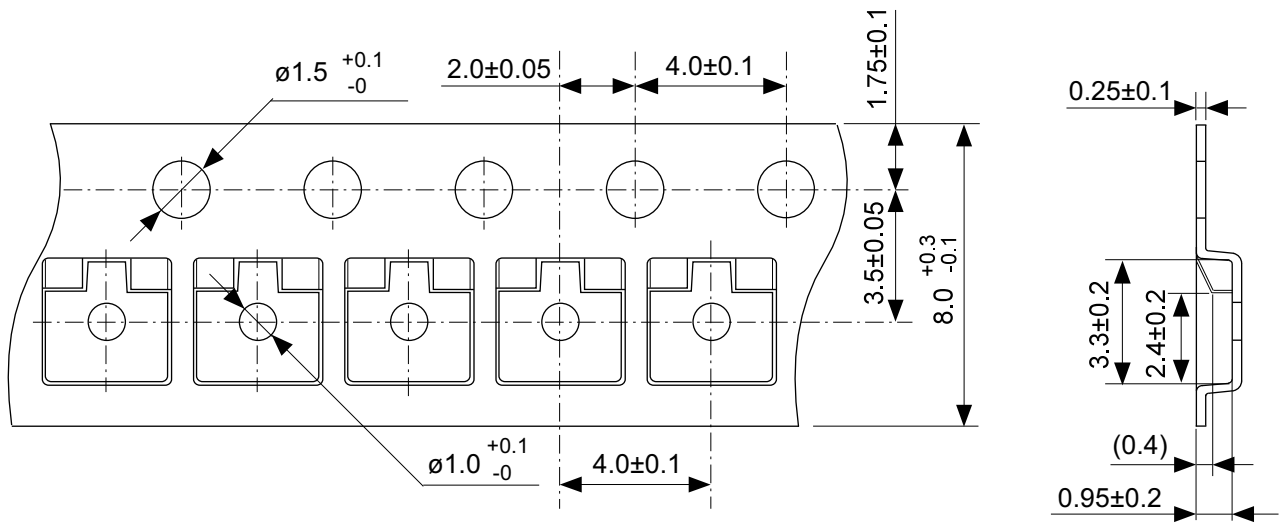


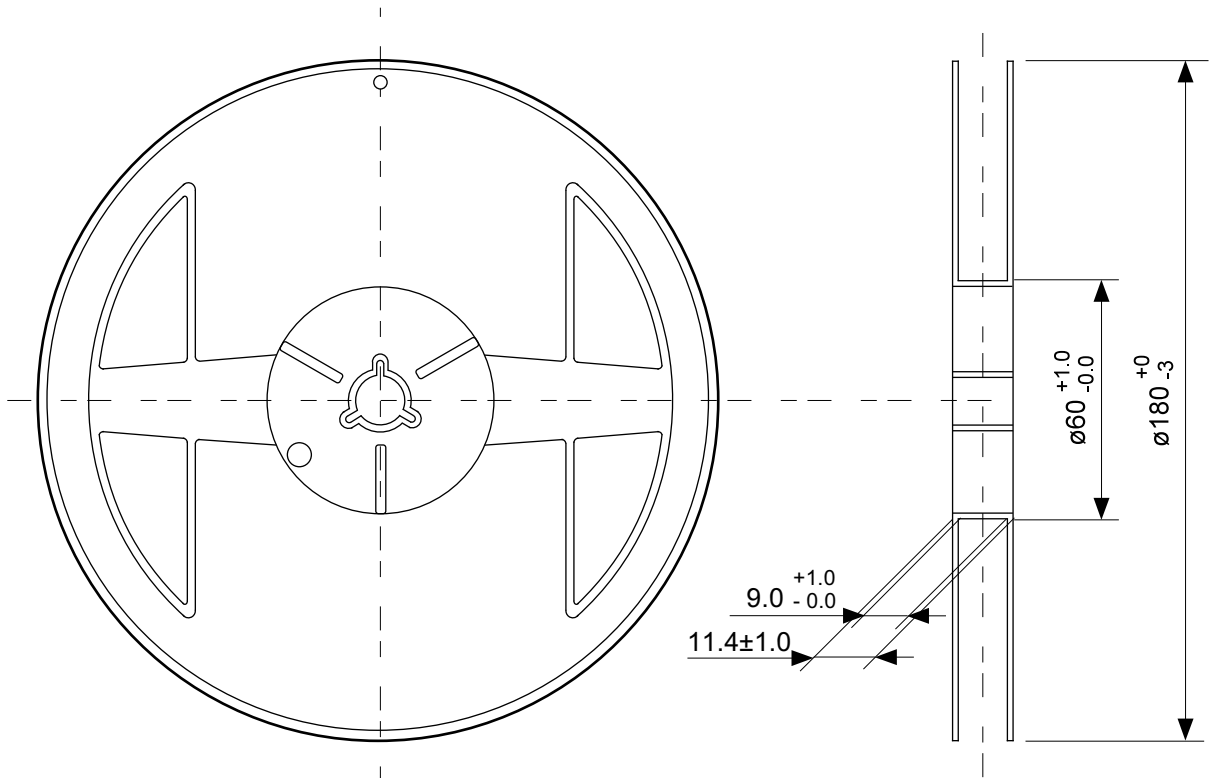
No. MP003-E-P-SD-1.0

TITLE	TSOT233S-A-PKG Dimensions
No.	MP003-E-P-SD-1.0
ANGLE	
UNIT	mm
<b>ABLIC Inc.</b>	

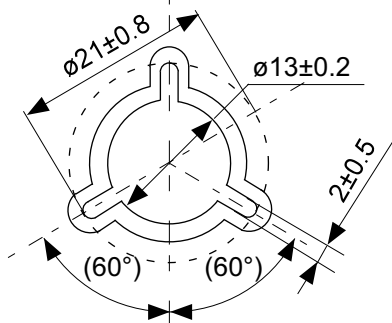


No. MP003-E-C-SD-1.0

TITLE	TSOT233S-A-Carrier Tape
No.	MP003-E-C-SD-1.0
ANGLE	
UNIT	mm
<b>ABLIC Inc.</b>	

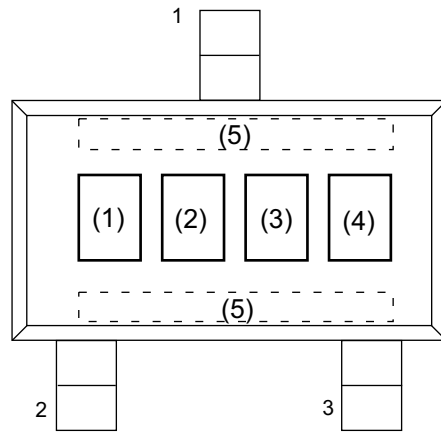


Enlarged drawing in the central part



No. MP003-E-R-SD-1.0

TITLE	TSOT233S-A-Reel		
No.	MP003-E-R-SD-1.0		
ANGLE		QTY.	3,000
UNIT	mm		
<b>ABLIC Inc.</b>			



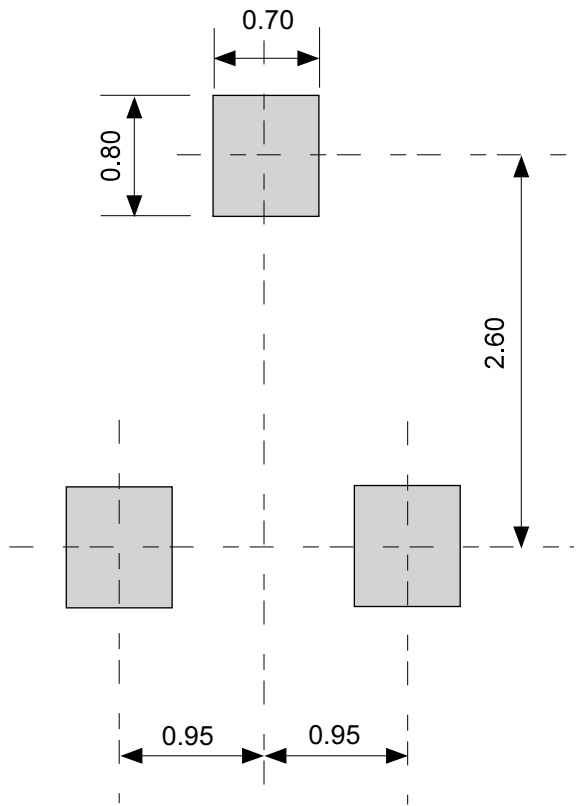
(1) to (3) : Product code

(4) : Month of assembly

(5) : Dot on one side (Year and week of assembly)

No. MP003-E-M-SD-1.0

TITLE	TSOT233S-A-Markings		
No.	MP003-E-M-SD-1.0		
ANGLE			
UNIT		TYPE	LASER
<b>ABLIC Inc.</b>			



No. MP003-E-L-SD-1.0

TITLE	TSOT233S-A -Land Recommendation
No.	MP003-E-L-SD-1.0
ANGLE	
UNIT	mm
<b>ABLIC Inc.</b>	