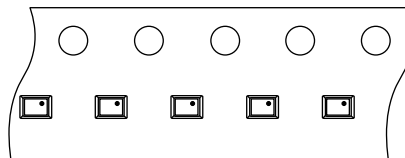
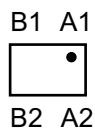
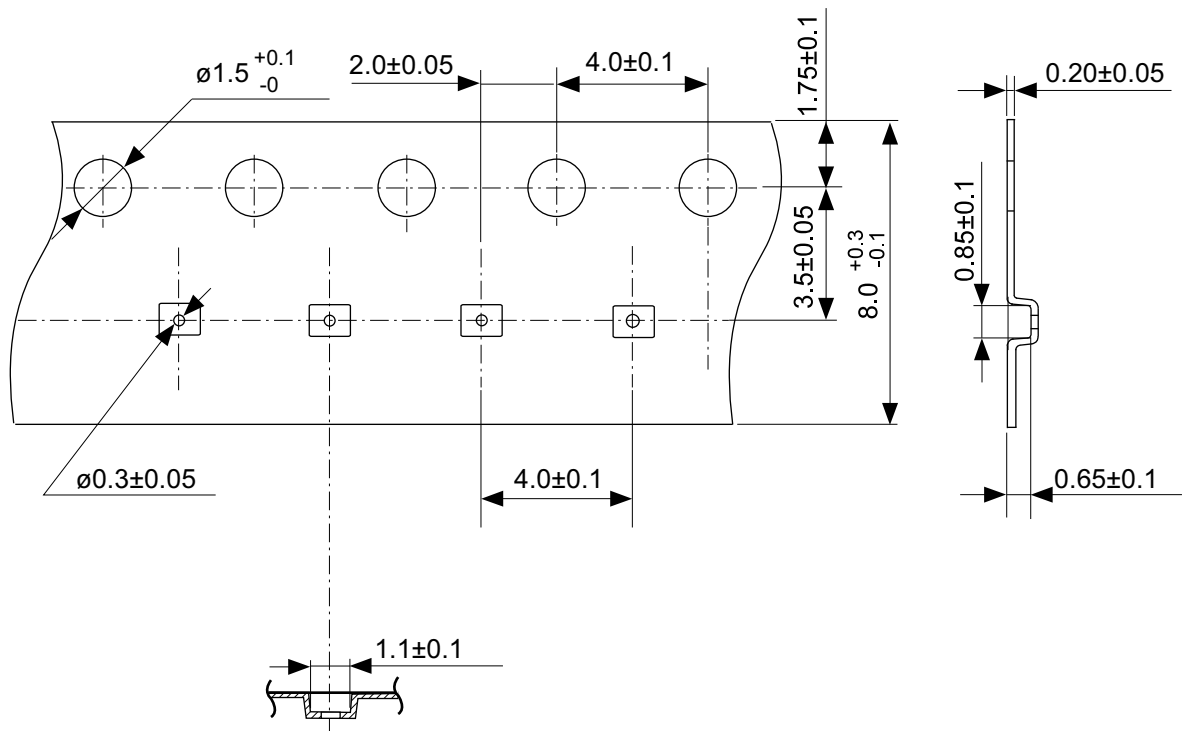


Pin No.	Symbol
A1	VOUT
B1	VIN
A2	VSS
B2	ON/OFF

No. HR004-A-P-SD-1.0

TITLE	WLP-4R-A-PKG Dimensions (S-812CXX)
No.	HR004-A-P-SD-1.0
ANGLE	
UNIT	mm
ABLIC Inc.	

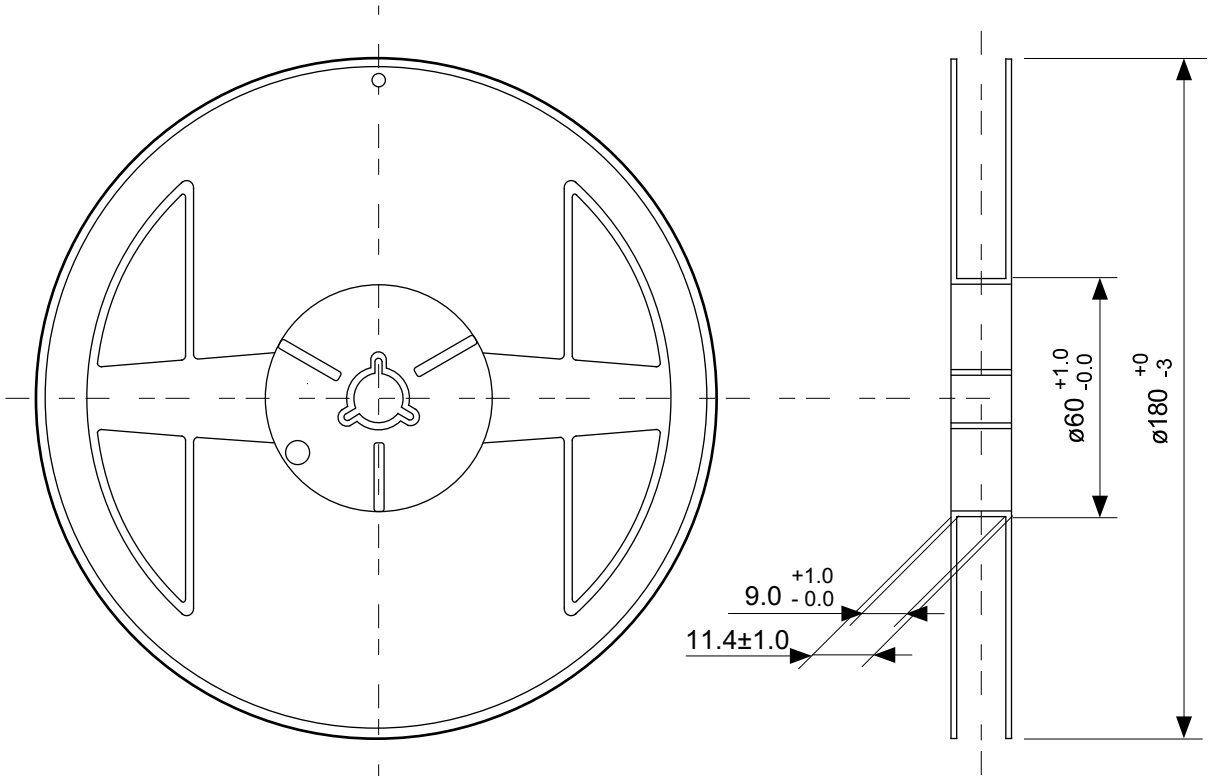


Feed direction

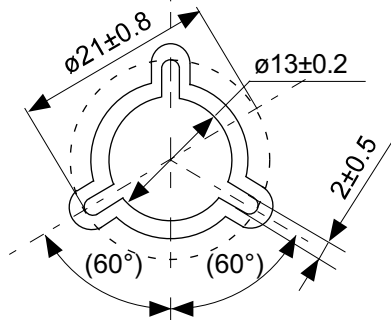
No. HR004-A-C-SD-1.0

TITLE	WLP-4R-A-Carrier Tape (S-812CXX)
No.	HR004-A-C-SD-1.0
ANGLE	
UNIT	mm

ABLIC Inc.



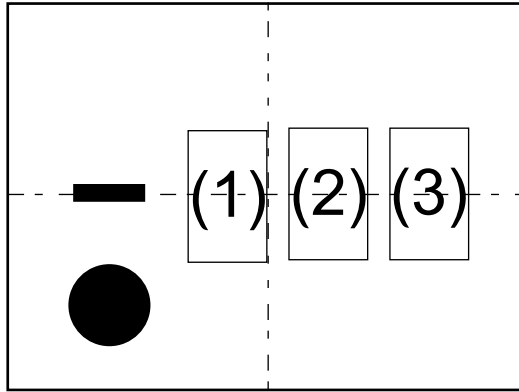
Enlarged drawing in the central part



No. HR004-A-R-SD-1.0

TITLE	WLP-4R-A-Reel (S-812CXX)		
No.	HR004-A-R-SD-1.0		
ANGLE		QTY.	3,000
UNIT	mm		
ABLIC Inc.			

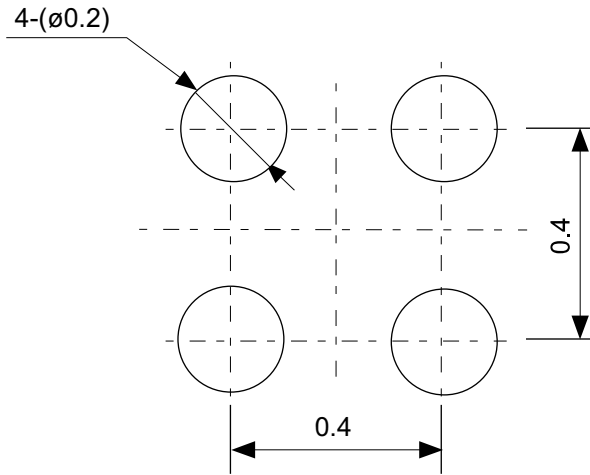
The information herein is subject to change without notice.



- (1) : Product code
- (2) , (3) : LOT code
- : 1 Pin mark

No. HR004-A-M-SD-1.0

TITLE	WLP-4R-A-Markings (S-812CXX)		
No.	HR004-A-M-SD-1.0		
ANGLE			
UNIT		TYPE	LASER
ABLIC Inc.			



No. HR004-A-L-SD-1.0

TITLE	WLP-4R-A-Land Recommendation (S-812CXX)
No.	HR004-A-L-SD-1.0
ANGLE	
UNIT	mm
ABLIC Inc.	