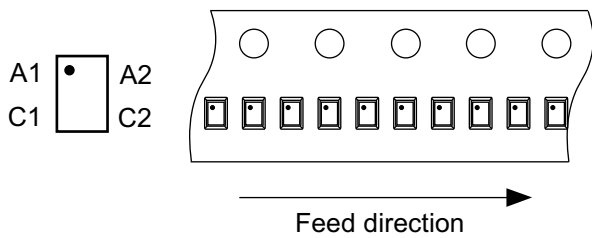
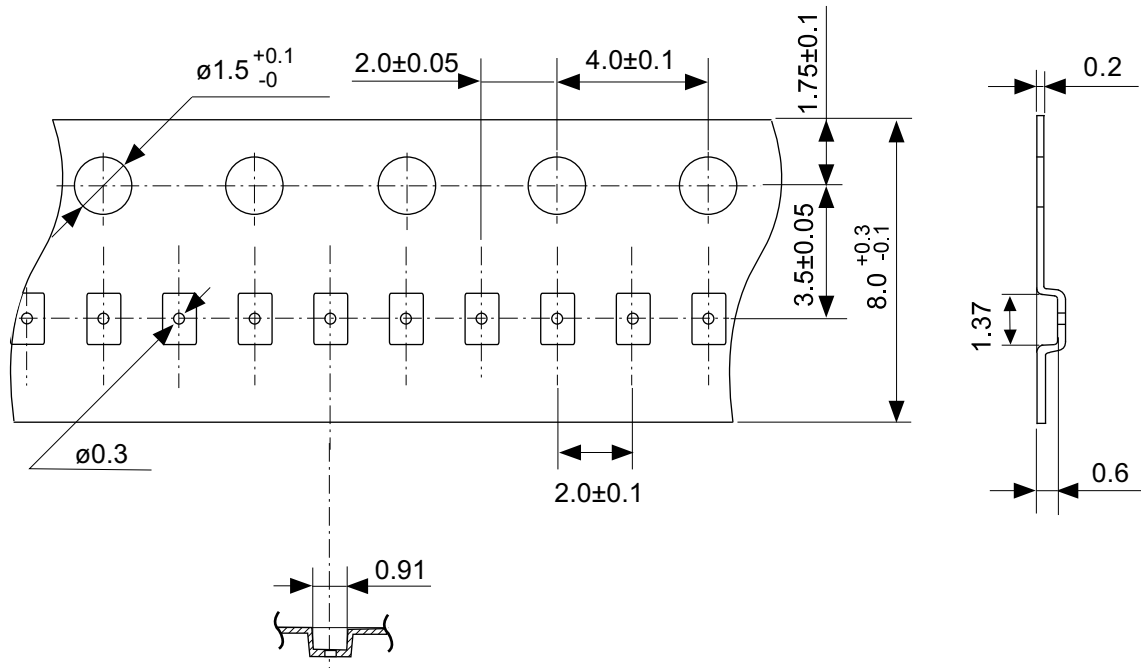


Pin No.	Symbol
A1	EN
B1	VIN
C1	PVSS
A2	VOUT
B2	VSS
C2	SW

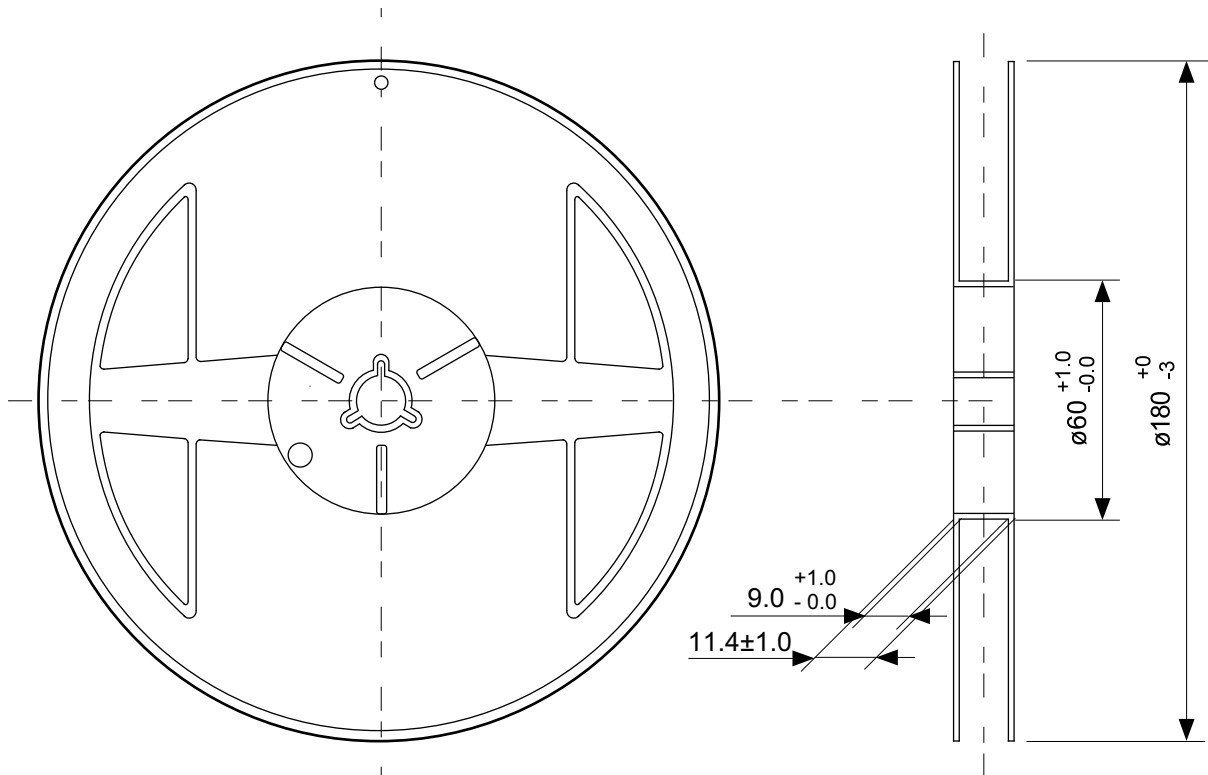
No. HL006-A-P-SD-1.0

TITLE	WLP-6L-A-PKG Dimensions (S-85M0A/S-85M1A)
No.	HL006-A-P-SD-1.0
ANGLE	
UNIT	mm
ABLIC Inc.	

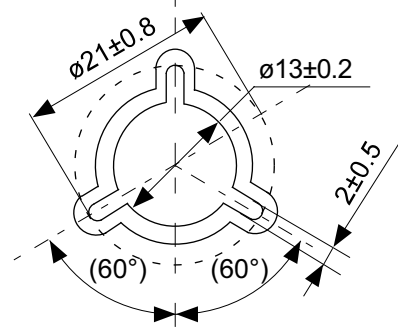


No. HL006-A-C-SD-2.0

TITLE	WLP-6L-A-Carrier Tape (S-85M0A/S-85M1A)
No.	HL006-A-C-SD-2.0
ANGLE	
UNIT	mm
ABLIC Inc.	



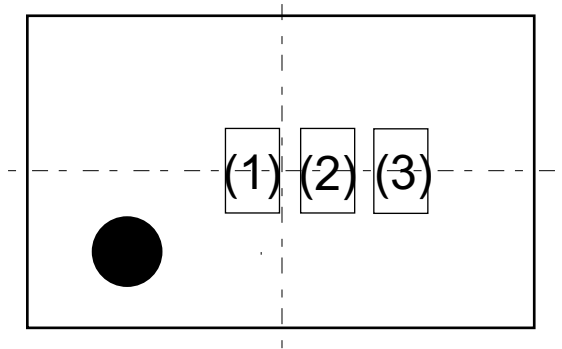
Enlarged drawing in the central part



No. HL006-A-R-SD-1.0

TITLE	WLP-6L-A-Reel (S-85M0A/S-85M1A)		
No.	HL006-A-R-SD-1.0		
ANGLE		QTY.	6,000
UNIT	mm		

ABLIC Inc.



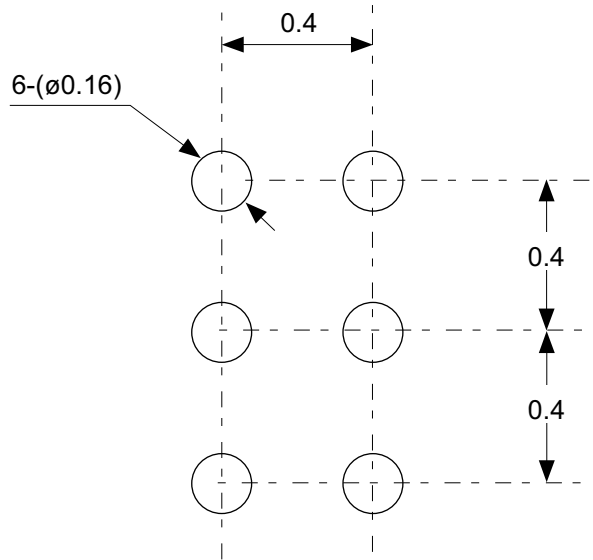
(1) : Product code

(2) , (3) : Lot code

● : 1 Pin mark

No. HL006-A-M-SD-1.0

TITLE	WLP-6L-A-Markings (S-85M0A/S-85M1A)		
No.	HL006-A-M-SD-1.0		
ANGLE			
UNIT		TYPE	LASER
ABLIC Inc.			



No. HL006-A-L-SD-2.0

TITLE	WLP-6L-A-Land Recommendation (S-85M0A/S-85M1A)
No.	HL006-A-L-SD-2.0
ANGLE	
UNIT	mm
ABLIC Inc.	