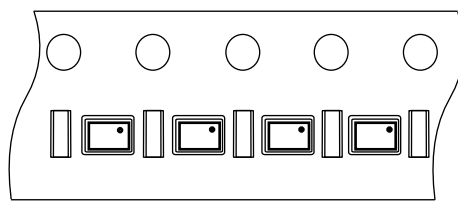
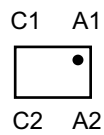
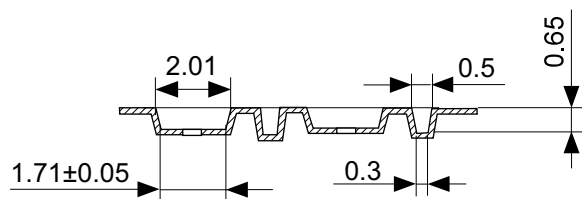
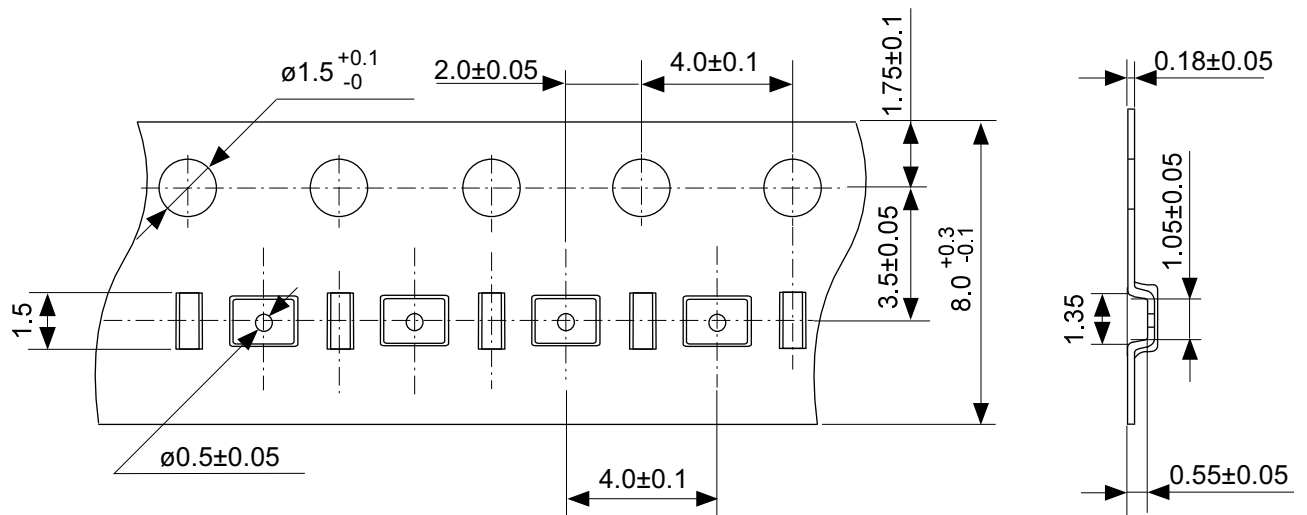


Pin No.	Symbol
A1	SDA
B1	GND
C1	A2
A2	SCL
B2	WP
C2	VCC

No. HJ006-B-P-SD-2.0

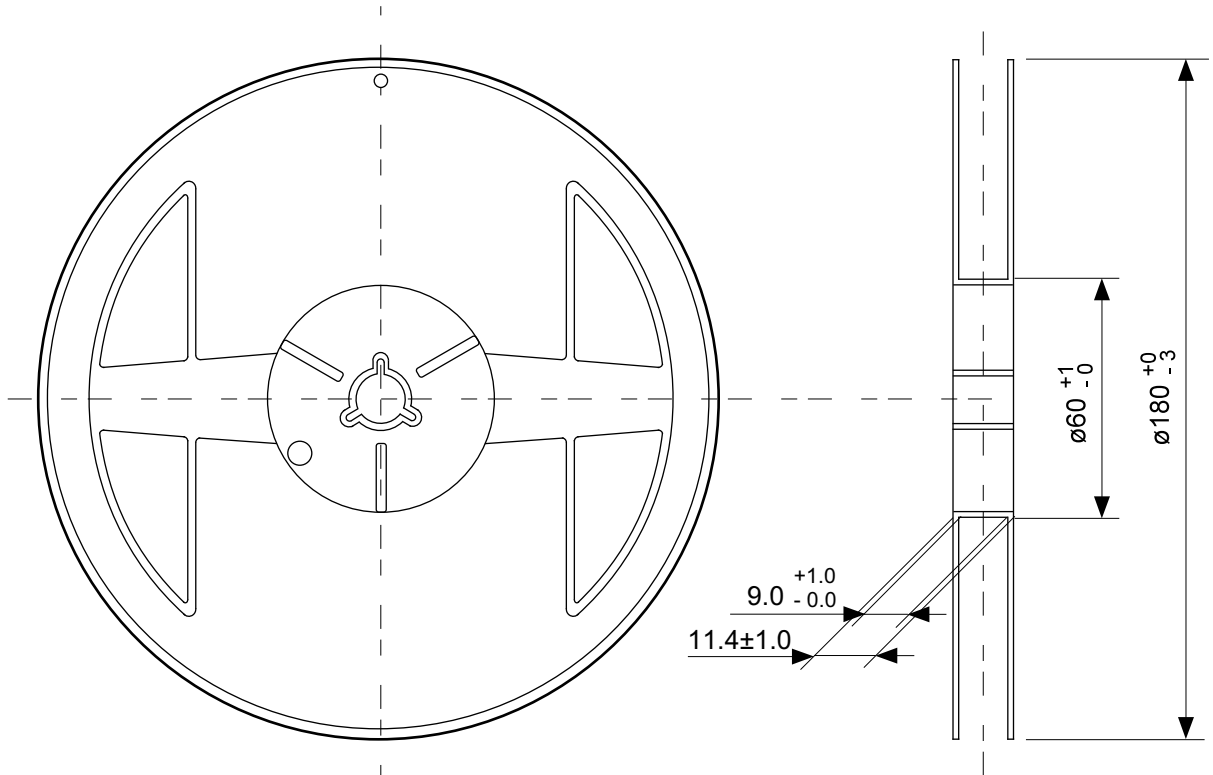
TITLE	WLP-6J-B-PKG Dimensions (S-24C08C)
No.	HJ006-B-P-SD-2.0
ANGLE	
UNIT	mm
ABLIC Inc.	



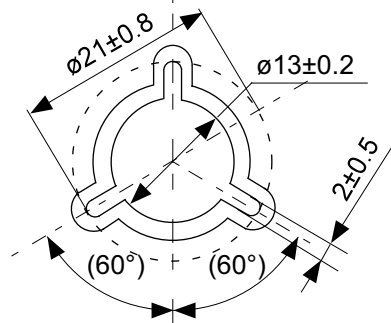
Feed direction

No. HJ006-B-C-SD-1.0

TITLE	WLP-6J-B-Carrier Tape (S-24C08C)
No.	HJ006-B-C-SD-1.0
ANGLE	
UNIT	mm
ABLIC Inc.	

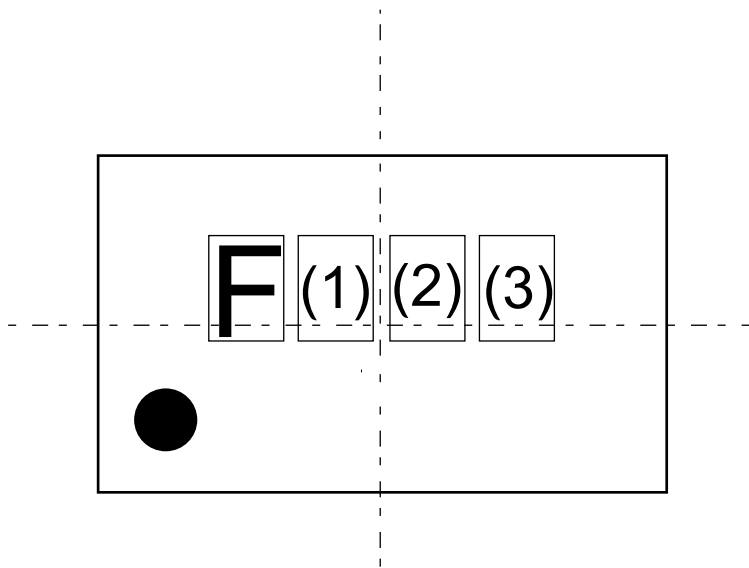


Enlarged drawing in the central part



No. HJ006-B-R-SD-2.0

TITLE	WLP-6J-B-Reel (S-24C08C)		
No.	HJ006-B-R-SD-2.0		
ANGLE		QTY.	3,000
UNIT	mm		
ABLIC Inc.			



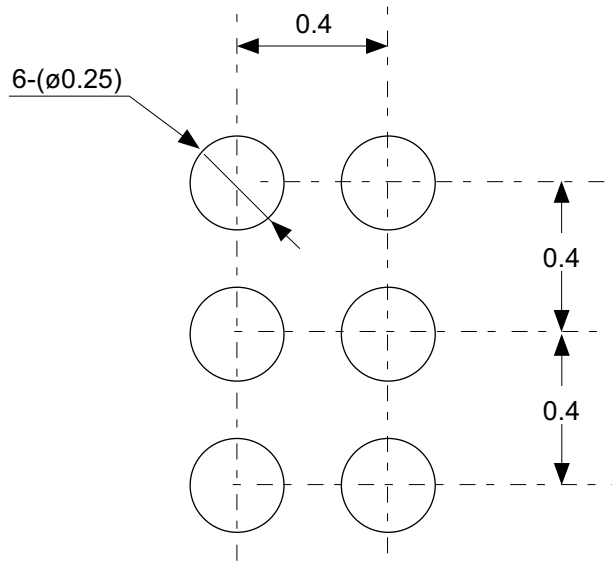
(1) : Product code

(2) , (3) : Lot code

● : 1 Pin mark

No. HJ006-B-M-SD-1.0

TITLE	WLP-6J-B-Markings (S-24C08C)		
No.	HJ006-B-M-SD-1.0		
ANGLE			
UNIT		TYPE	LASER
ABLIC Inc.			



No. HJ006-B-L-SD-1.0

TITLE	WLP-6J-B-Land Recommendation (S-24C08C)
No.	HJ006-B-L-SD-1.0
ANGLE	
UNIT	mm
ABLIC Inc.	