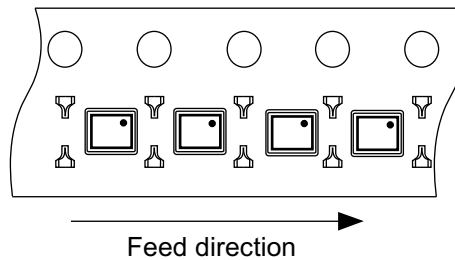
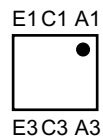
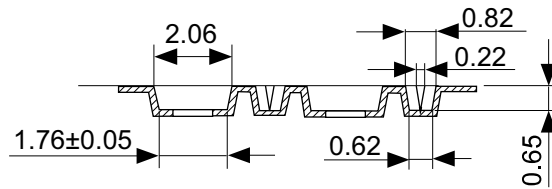
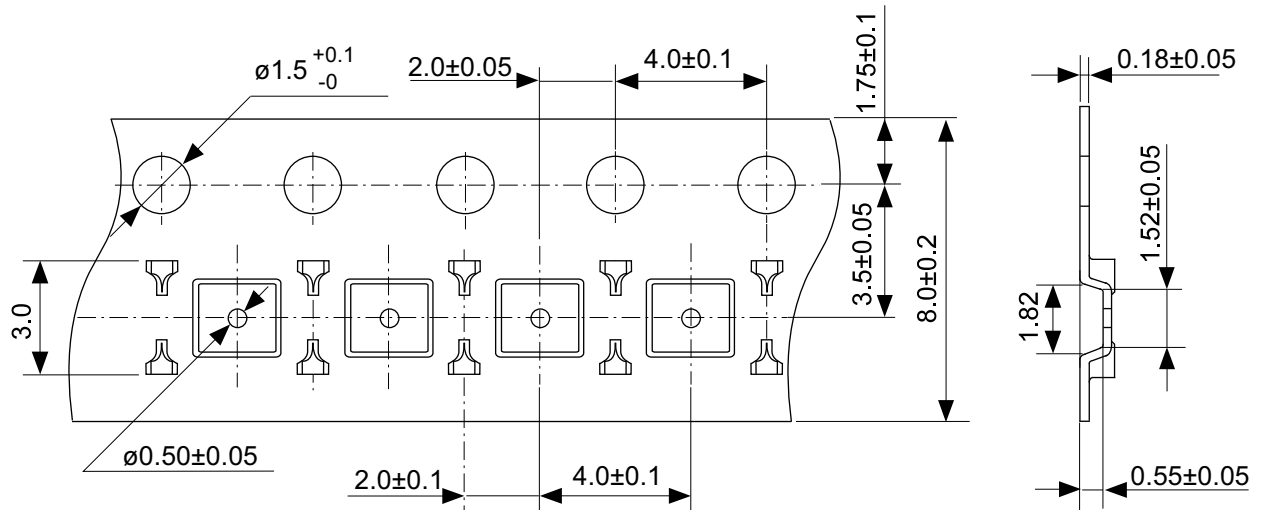


Pin No.	Symbol
A1	VCC
A3	CS
B2	HOLD
C1	SCK
C3	SO
D2	WP
E1	SI
E3	GND

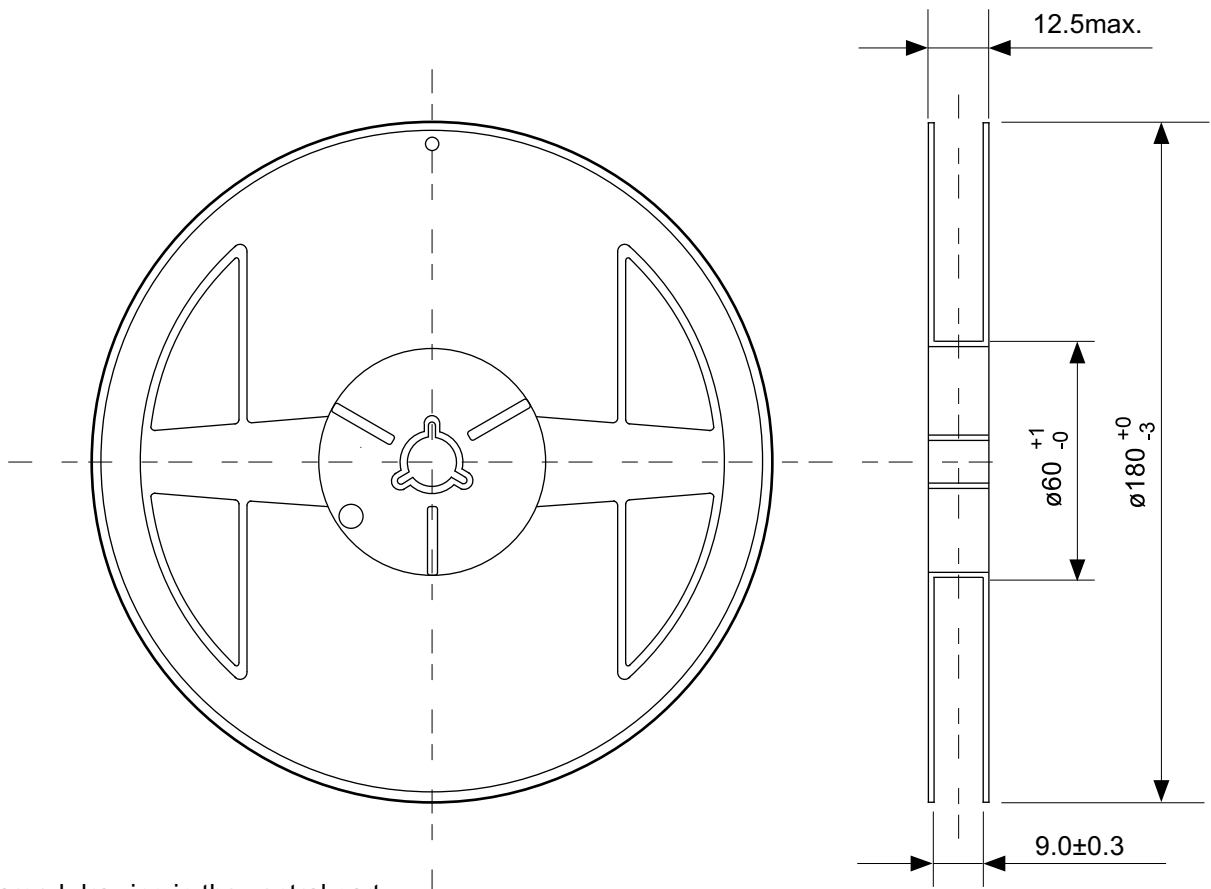
No. HH008-A-P-SD-3.0

TITLE	WLP-8H-A-PKG Dimensions (S-25C080A)
No.	HH008-A-P-SD-3.0
ANGLE	
UNIT	mm
<b>ABLIC Inc.</b>	

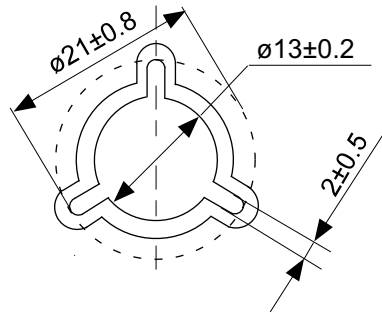


No. HH008-A-C-SD-1.1

TITLE	WLP-8H-A-Carrier Tape (S-25C080A)
No.	HH008-A-C-SD-1.1
ANGLE	
UNIT	mm
<b>ABLIC Inc.</b>	



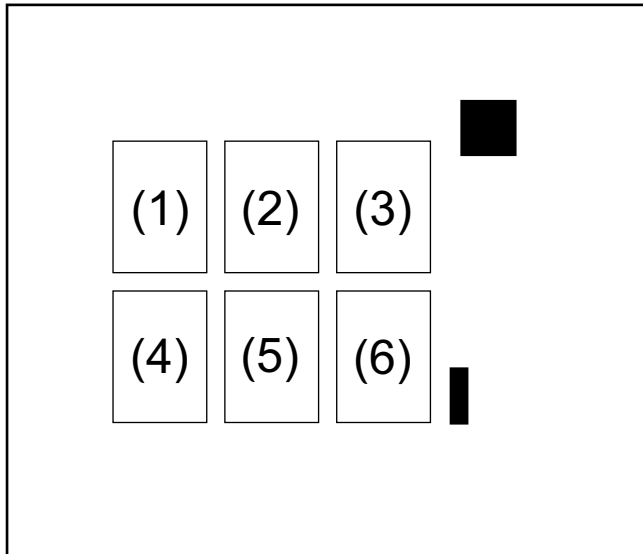
Enlarged drawing in the central part



No. HH008-A-R-SD-1.1

TITLE	WLP-8H-A-Reel (S-25C080A)		
No.	HH008-A-R-SD-1.1		
ANGLE		QTY.	3,000
UNIT	mm		
<b>ABLIC Inc.</b>			

The information herein is subject to change without notice.



(1) to (4) : Product code

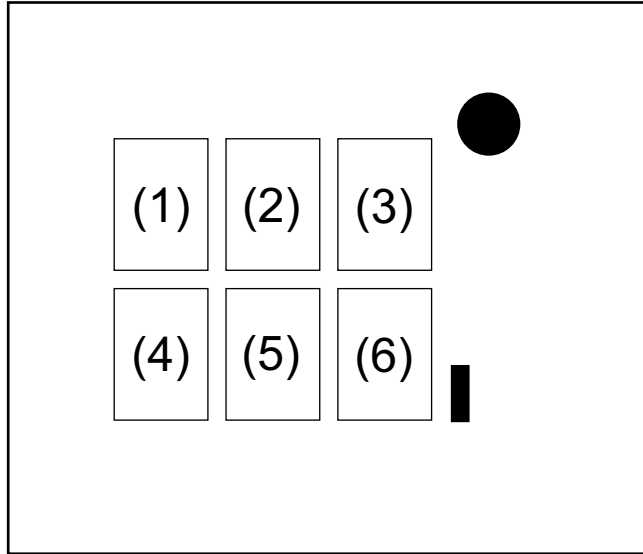
(5) , (6) : Lot code

■ : A1 Pin mark

▬ : Mark that distinguishes PKG thickness.

No. HH008-A-M-SD-3.0

TITLE	WLP-8H-A-Markings (S-25C080A)		
No.	HH008-A-M-SD-3.0		
ANGLE			
UNIT		TYPE	LASER
<b>ABLIC Inc.</b>			



(1) to (4) : Product code

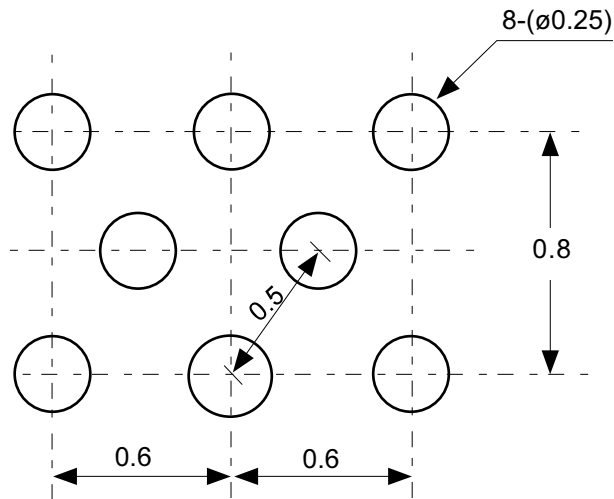
(5) , (6) : Lot code

● : A1 Pin mark

■ : Mark that distinguishes PKG thickness.

No. HH008-A-M-S1-1.0

TITLE	WLP-8H-A-Markings (S-25C080A)		
No.	HH008-A-M-S1-1.0		
ANGLE			
UNIT		TYPE	LASER
<b>ABLIC Inc.</b>			



No. HH008-A-L-SD-1.1

TITLE	WLP-8H-A-Land Recommendation (S-25C080A)
No.	HH008-A-L-SD-1.1
ANGLE	
UNIT	mm
<b>ABLIC Inc.</b>	