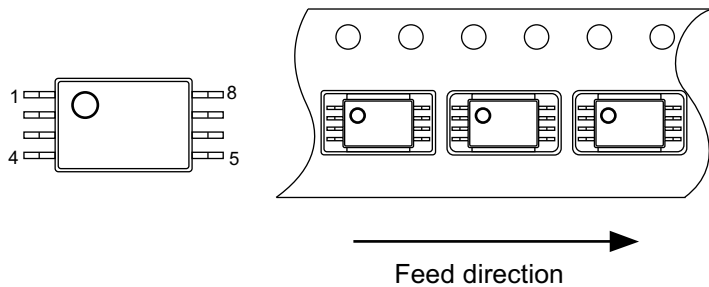
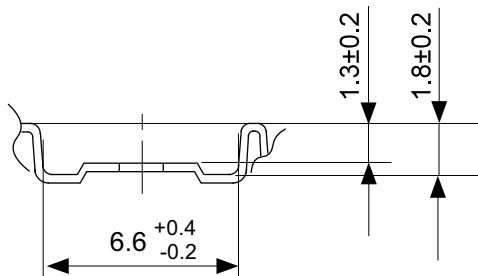
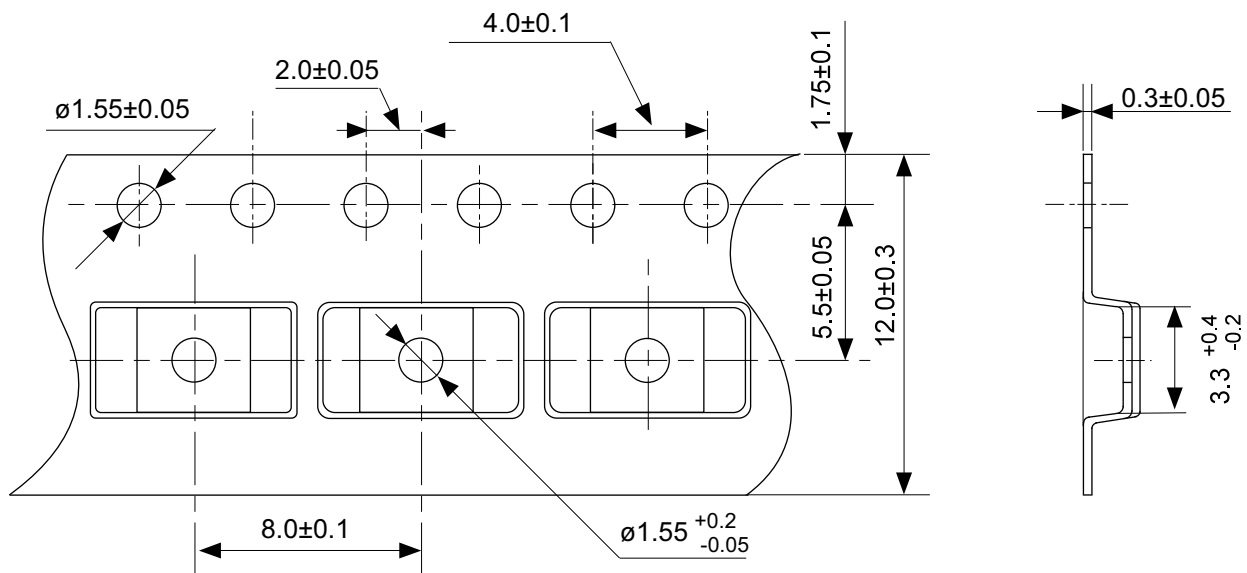


No. FT008-Z-P-SD-1.2

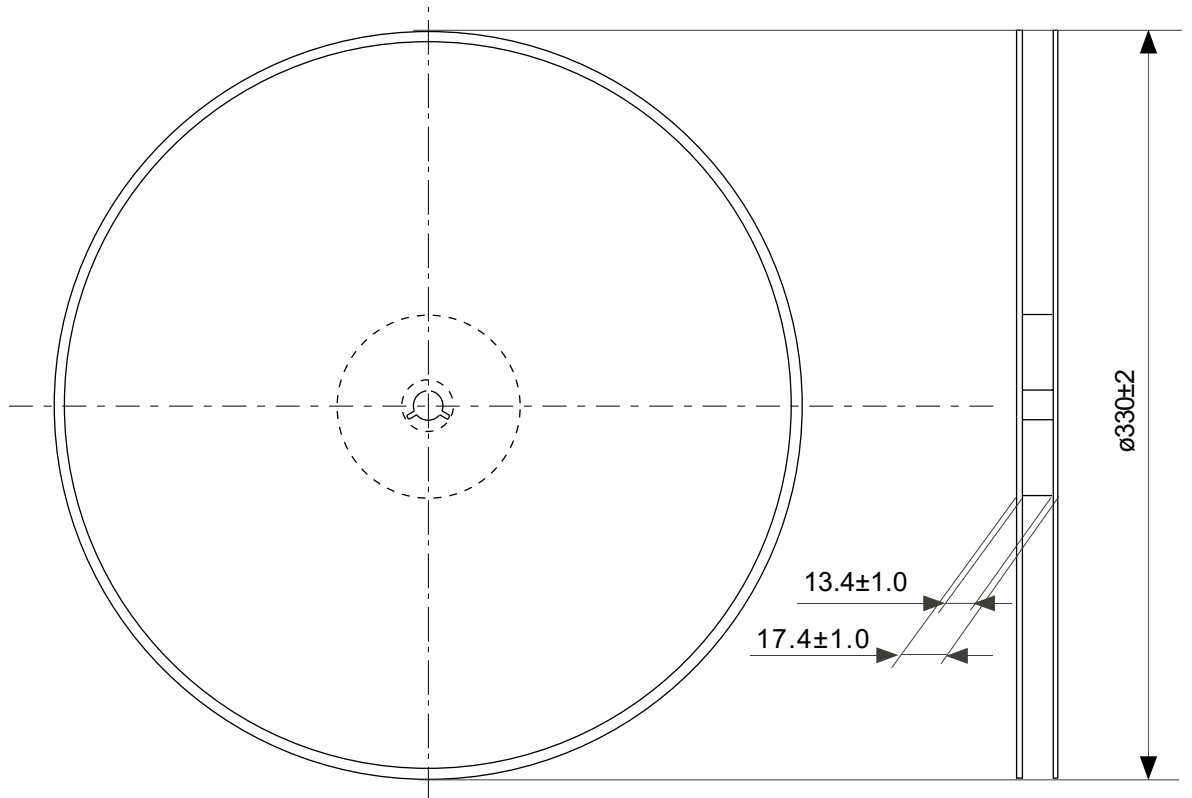
TITLE	TSSOP8-Z-PKG Dimensions
No.	FT008-Z-P-SD-1.2
ANGLE	
UNIT	mm

ABLIC Inc.

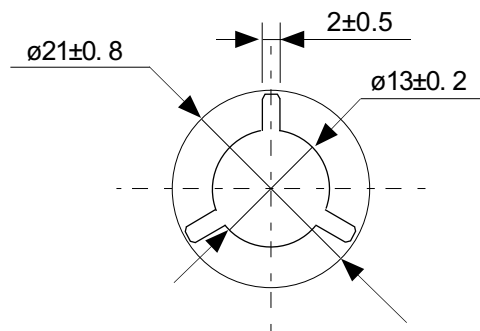


No. FT008-Z-C-SD-1.0

TITLE	TSSOP8-Z-Carrier Tape
No.	FT008-Z-C-SD-1.0
ANGLE	
UNIT	mm
<b>ABLIC Inc.</b>	

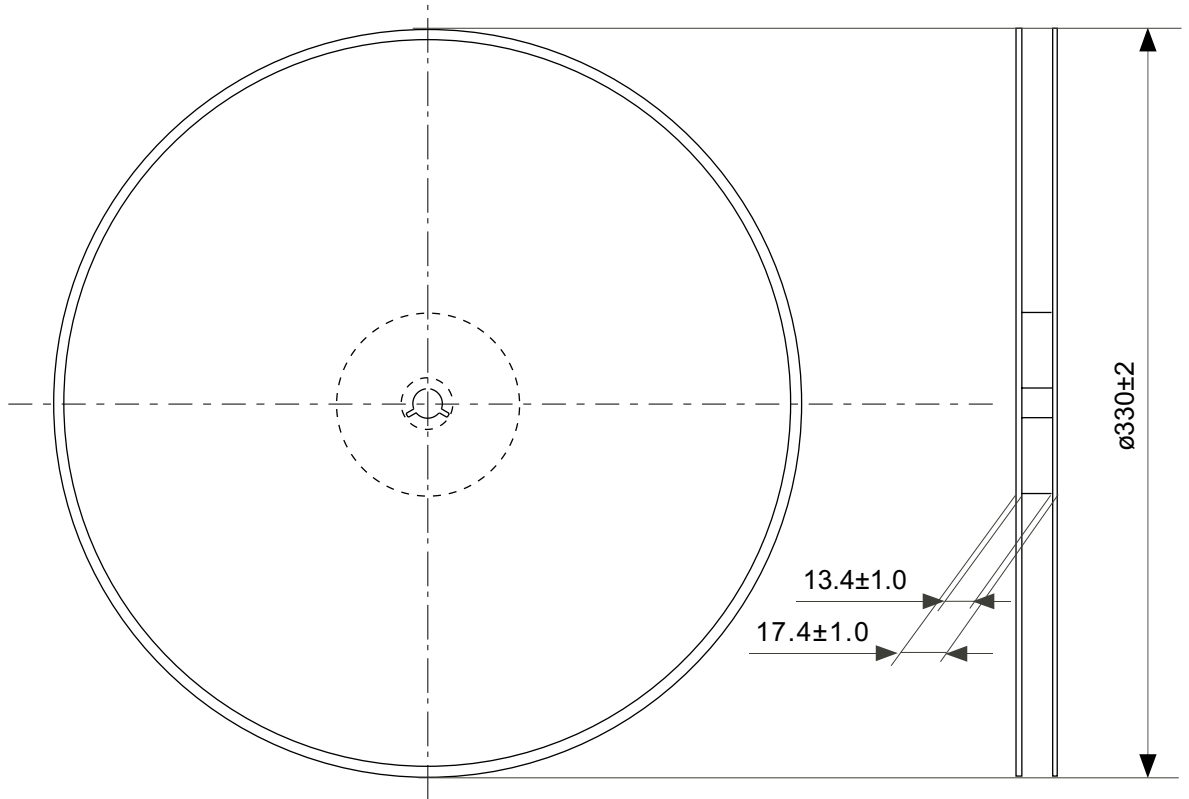


Enlarged drawing in the central part

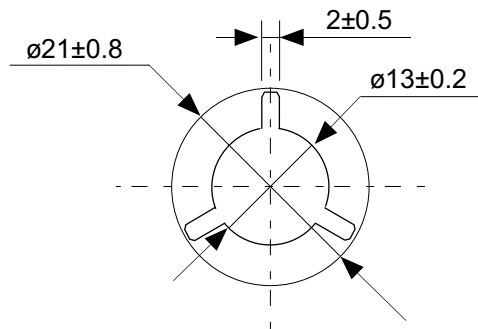


No. FT008-Z-R-SD-2.0

TITLE	TSSOP8-Z-Reel		
No.	FT008-Z-R-SD-2.0		
ANGLE		QTY.	4,000
UNIT	mm		
<b>ABLIC Inc.</b>			

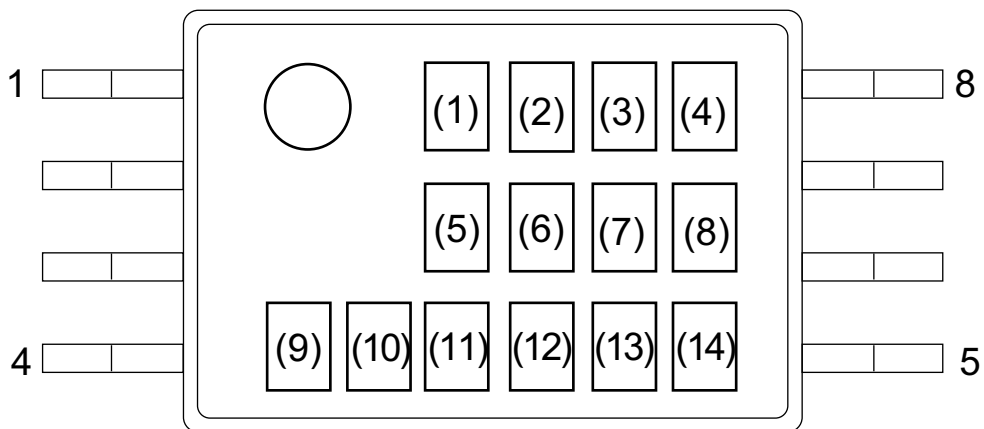


Enlarged drawing in the central part



No. FT008-Z-R-S1-2.0

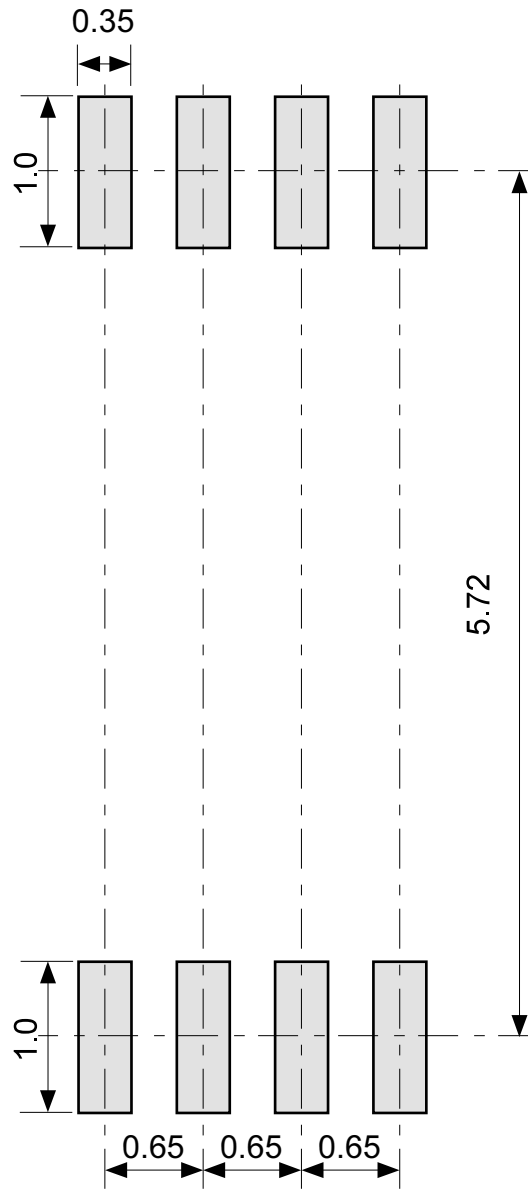
TITLE	TSSOP8-Z-Reel		
No.	FT008-Z-R-S1-2.0		
ANGLE		QTY.	3,000
UNIT	mm		
<b>ABLIC Inc.</b>			



- (1) to (8) : Product code
- (9) : Assembly code
- (10) : Year of assembly
- (11) : Month of assembly
- (12) to (14) : Lot No.

No. FT008-A-M-S1-4.0

TITLE	TSSOP8-Z-Markings		
No.	FT008-A-M-S1-4.0		
ANGLE			
UNIT		TYPE	LASER
<b>ABLIC Inc.</b>			



No. FT008-A-L-SD-1.1

TITLE	TSSOP8-Z -Land Recommendation
No.	FT008-A-L-SD-1.1
ANGLE	
UNIT	mm
<b>ABLIC Inc.</b>	