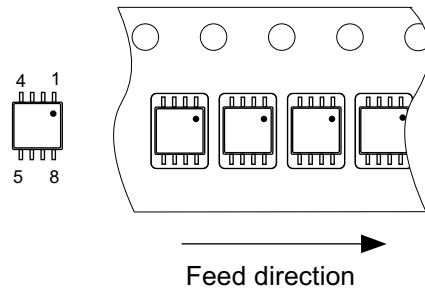
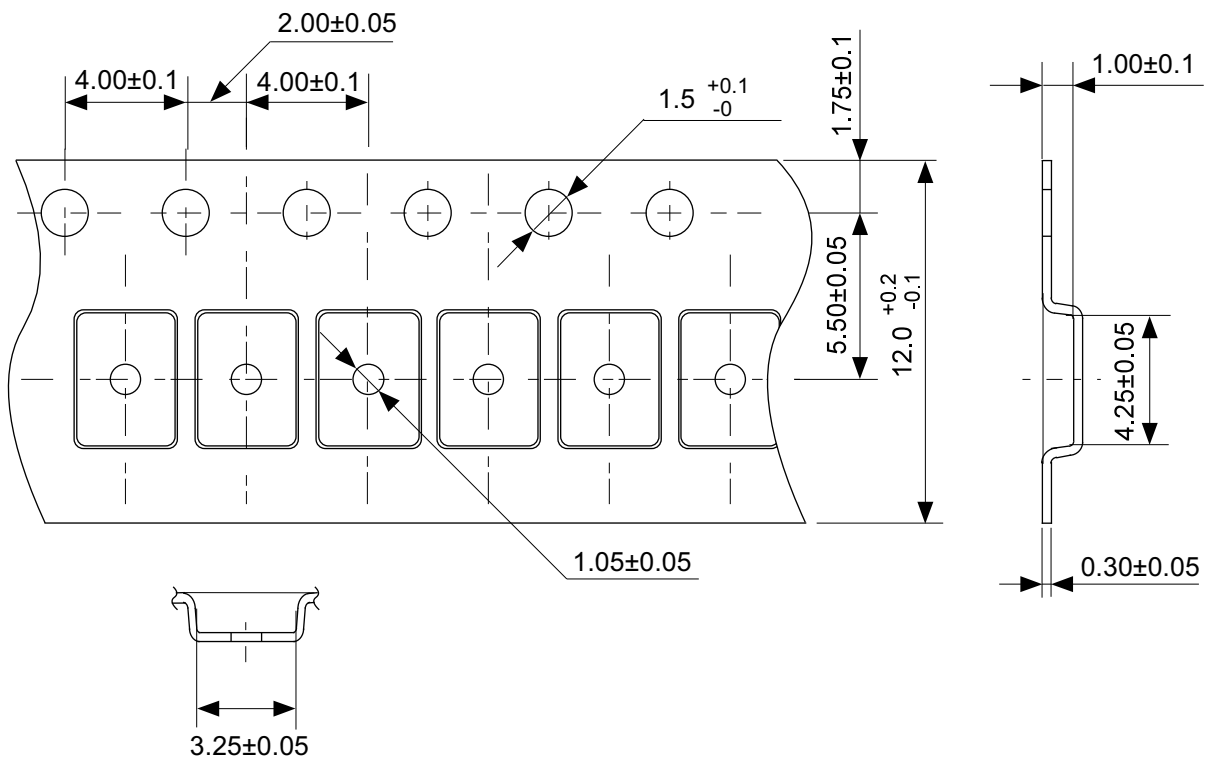


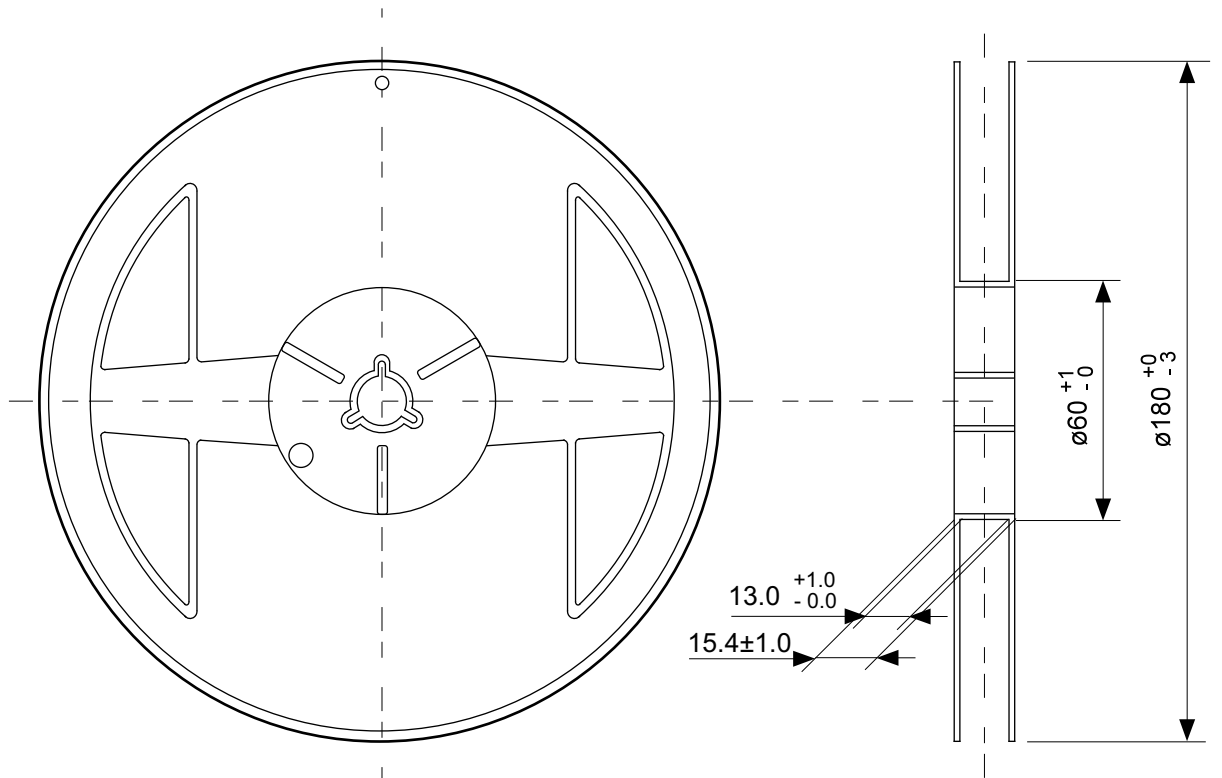
No. FM008-A-P-SD-1.2

TITLE	TMSOP8-A-PKG Dimensions
No.	FM008-A-P-SD-1.2
ANGLE	
UNIT	mm
<b>ABLIC Inc.</b>	

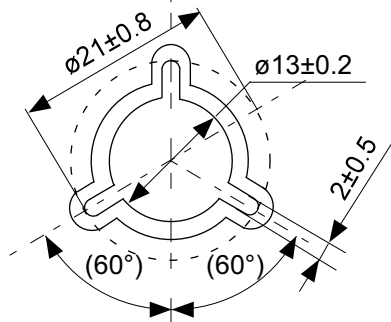


No. FM008-A-C-SD-2.0

TITLE	TMSOP8-A-Carrier Tape
No.	FM008-A-C-SD-2.0
ANGLE	
UNIT	mm
<b>ABLIC Inc.</b>	

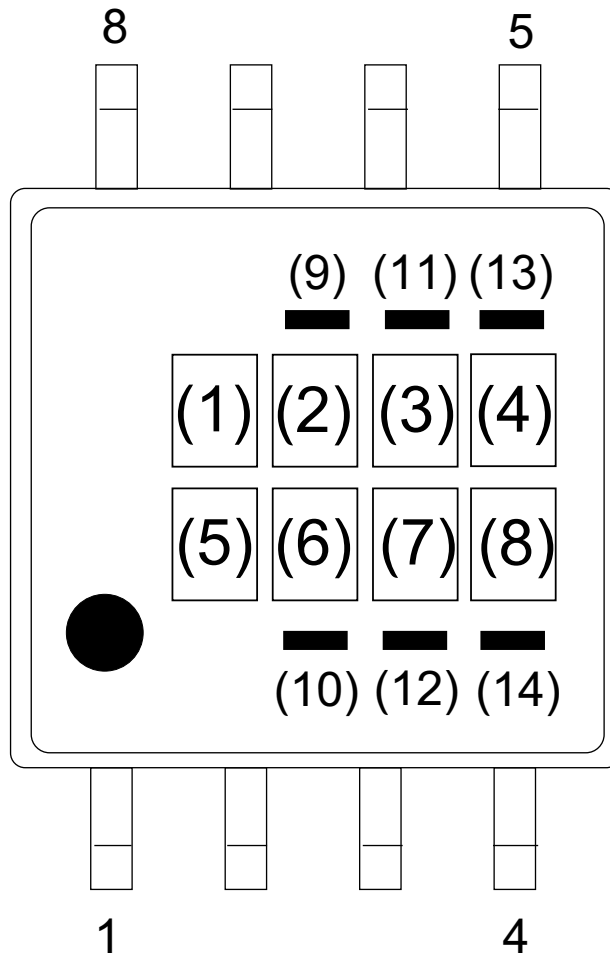


Enlarged drawing in the central part



No. FM008-A-R-SD-2.0

TITLE	TMSOP8-A-Reel		
No.	FM008-A-R-SD-2.0		
ANGLE		QTY.	4,000
UNIT	mm		
<b>ABLIC Inc.</b>			



(1) to (5) : Product code

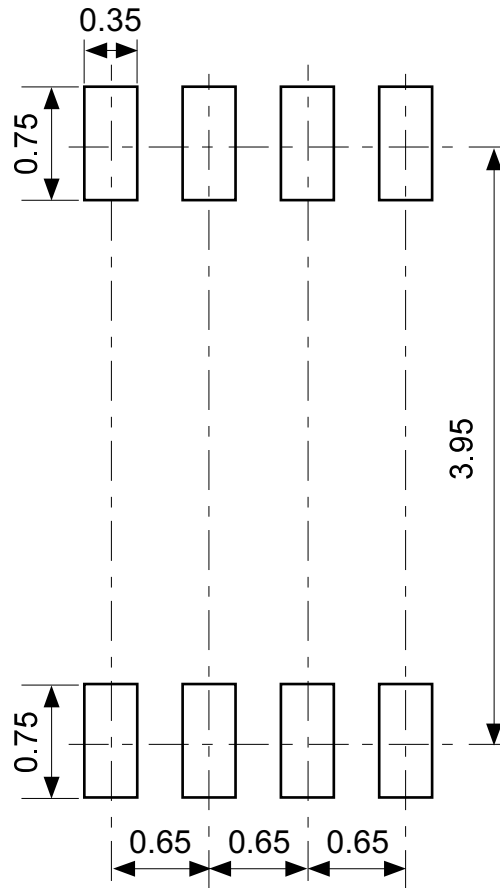
(6) to (8) : Lot No.

(9), (10) : Year of assembly (bar)

(11) to (14) : Month of assembly (bar)

No. FM008-A-M-SD-3.0

TITLE	TMSOP8-A-Markings		
No.	FM008-A-M-SD-3.0		
ANGLE			
UNIT		TYPE	LASER
<b>ABLIC Inc.</b>			



No. FM008-A-L-SD-1.0

TITLE	TMSOP8-A -Land Recommendation
No.	FM008-A-L-SD-1.0
ANGLE	
UNIT	mm
<b>ABLIC Inc.</b>	