

This IC is a SPI serial E<sup>2</sup>PROM which operates under the high temperature, at high speed, with the wide range operation for automotive components. This IC has the capacity of 256 K-bit and the organization of 32768 words × 8-bit. Page write and Sequential read are available.

**Caution** Before using the product in automobile control unit or medical equipment, contact to ABLIC Inc. is indispensable.

## ■ Features

- Operating voltage range
  - Read: 2.5 V ~ 5.5 V
  - Write: 2.5 V ~ 5.5 V
- Operation frequency: 5.0 MHz max.
- Write time: 5.0 ms max.
- SPI mode (0, 0) and (1, 1)
- Page write: 64 bytes / page
- Sequential read
- Write protect: Software, Hardware
- Protect area: 25%, 50%, 100%
- Monitoring of a write memory state by the status register
- Function to prevent malfunction by monitoring clock pulse
- Write protect function during the low power supply voltage
- CMOS schmitt input ( $\overline{CS}$ , SCK, SI,  $\overline{WP}$ ,  $\overline{HOLD}$ )
- Endurance<sup>\*1</sup>:
  - 10<sup>6</sup> cycle / word<sup>\*2</sup> (Ta = +25°C)
  - 3 × 10<sup>5</sup> cycle / word<sup>\*2</sup> (Ta = +125°C)
- Data retention:
  - 100 years (Ta = +25°C)
  - 50 years (Ta = +125°C)
- Memory capacity: 256 K-bit
- Initial delivery state: FFh, SRWD = 0, BP1 = 0, BP0 = 0
- Burn-in specifications: Wafer level burn-in
- Operation temperature range: Ta = -40°C to +125°C
- Lead-free (Sn 100%), halogen-free<sup>\*3</sup>
- AEC-Q100 qualified<sup>\*4</sup>

\*1. Refer to "■ Endurance" for details.

\*2. For each address (Word: 8-bit)

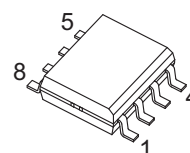
\*3. Refer to "■ Product Name Structure" for details.

\*4. Contact our sales office for details.

**Remark** Refer to "3. Product name list" in "■ Product Name Structure" for details of package and product.

## ■ Package

- 8-Pin SOP (JEDEC)



(5.0 × 6.0 × t1.75 mm)

■ **Block Diagram**

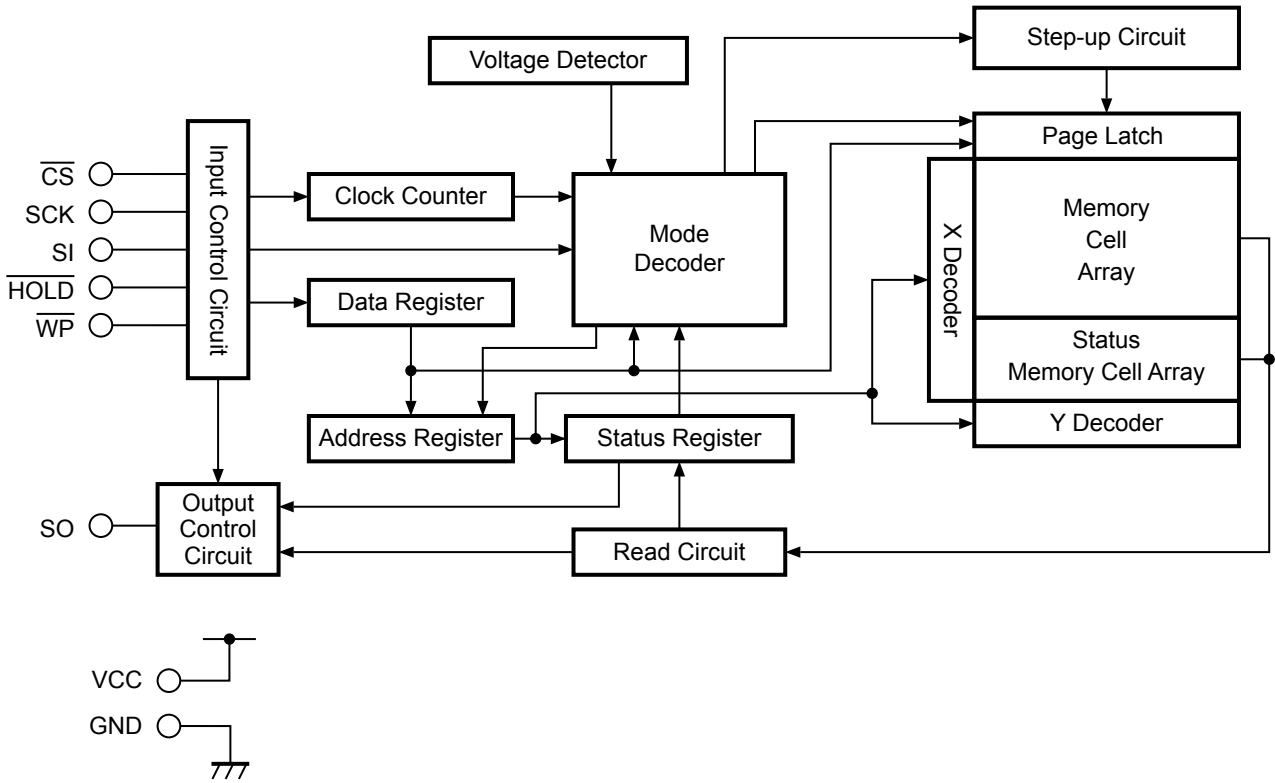


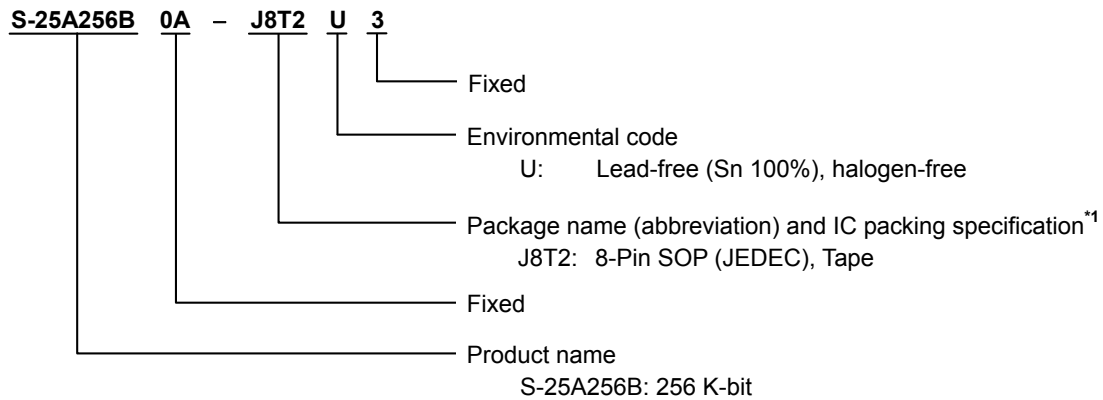
Figure 1

■ **AEC-Q100 Qualified**

This IC supports AEC-Q100 for operation temperature grade 1.  
Contact our sales office for details of AEC-Q100 reliability specification.

■ **Product Name Structure**

1. **Product name**



\*1. Refer to the tape drawing.

**Remark** This IC is wafer level burn-in specification.

2. **Package**

**Table 1 Package Drawing Codes**

Package Name	Dimension	Tape	Reel
8-Pin SOP (JEDEC)	FJ008-A-P-SD	FJ008-D-C-SD	FJ008-D-R-S1

3. **Product name list**

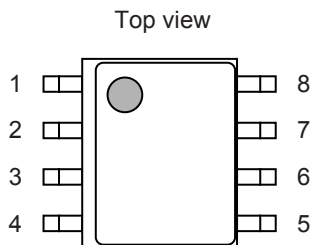
**Table 2**

Product Name	Capacity	Package	Quantity
S-25A256B0A-J8T2U3	256 K bit	8-Pin SOP (JEDEC)	4000 pcs / reel

**Remark** This IC is wafer level burn-in specification.

■ **Pin Configuration**

1. **8-Pin SOP (JEDEC)**



**Figure 2**

**Table 3**

Pin No.	Symbol	Description
1	$\overline{CS}^{*1}$	Chip select input
2	SO	Serial data output
3	$\overline{WP}^{*1}$	Write protect input
4	GND	Ground
5	SI <sup>*1</sup>	Serial data input
6	SCK <sup>*1</sup>	Serial clock input
7	$\overline{HOLD}^{*1}$	Hold input
8	VCC	Power supply

\*1. Do not use it in "High-Z".

■ Absolute Maximum Ratings

Table 4

Item	Symbol	Absolute Maximum Rating	Unit
Power supply voltage	V <sub>CC</sub>	-0.3 to +6.5	V
Input voltage	V <sub>IN</sub>	-0.3 to +6.5	V
Output voltage	V <sub>OUT</sub>	-0.3 to V <sub>CC</sub> + 0.3	V
Operation ambient temperature	T <sub>opr</sub>	-40 to +125	°C
Storage temperature	T <sub>stg</sub>	-65 to +150	°C

Caution The absolute maximum ratings are rated values exceeding which the product could suffer physical damage. These values must therefore not be exceeded under any conditions.

■ Recommended Operating Conditions

Table 5

Item	Symbol	Condition	Ta = -40°C to +125°C		Unit
			Min.	Max.	
Power supply voltage	V <sub>CC</sub>	Read	2.5	5.5	V
		Write	2.5	5.5	V
High level input voltage	V <sub>IH</sub>	V <sub>CC</sub> = 2.5 V to 5.5 V	0.7 × V <sub>CC</sub>	V <sub>CC</sub> + 1.0	V
Low level input voltage	V <sub>IL</sub>	V <sub>CC</sub> = 2.5 V to 5.5 V	-0.3	0.3 × V <sub>CC</sub>	V

■ Pin Capacitance

Table 6

(Ta = +25°C, f = 1.0 MHz, V<sub>CC</sub> = 5.0 V)

Item	Symbol	Condition	Min.	Max.	Unit
Input capacitance	C <sub>IN</sub>	V <sub>IN</sub> = 0 V (CS, SCK, SI, WP, HOLD)	—	8	pF
Output capacitance	C <sub>OUT</sub>	V <sub>OUT</sub> = 0 V (SO)	—	10	pF

■ Endurance

Table 7

Item	Symbol	Operation Ambient Temperature	Min.	Max.	Unit
Endurance	N <sub>w</sub>	Ta = +25°C	10 <sup>6</sup>	—	cycle / word*1
		Ta = -40°C to +85°C	7 × 10 <sup>5</sup>	—	cycle / word*1
		Ta = -40°C to +105°C	5 × 10 <sup>5</sup>	—	cycle / word*1
		Ta = -40°C to +125°C	3 × 10 <sup>5</sup>	—	cycle / word*1

\*1. For each address (Word: 8-bit)

■ Data Retention

Table 8

Item	Symbol	Operation Ambient Temperature	Min.	Max.	Unit
Data retention	—	Ta = +25°C	100	—	year
		Ta = -40°C to +125°C	50	—	year

## ■ DC Electrical Characteristics

Table 9

Item	Symbol	Condition	Ta = -40°C to +125°C				Unit
			V <sub>CC</sub> = 2.5 V to 4.5 V		V <sub>CC</sub> = 4.5 V to 5.5 V		
			f <sub>SCK</sub> = 5.0 MHz		f <sub>SCK</sub> = 5.0 MHz		
			Min.	Max.	Min.	Max.	
Current consumption (read)	I <sub>CC1</sub>	No load at SO pin	—	2.0	—	2.5	mA

Table 10

Item	Symbol	Condition	Ta = -40°C to +125°C		Unit
			V <sub>CC</sub> = 2.5 V to 5.5 V		
			f <sub>SCK</sub> = 5.0 MHz		
			Min.	Max.	
Current consumption (write)	I <sub>CC2</sub>	No load at SO pin	—	4.0	mA

Table 11

Item	Symbol	Condition	Ta = -40°C to +125°C				Unit
			V <sub>CC</sub> = 2.5 V to 4.5 V		V <sub>CC</sub> = 4.5 V to 5.5 V		
			Min.	Max.	Min.	Max.	
Standby current consumption	I <sub>SB</sub>	$\overline{\text{CS}} = V_{CC}$ , SO = Open Other inputs are V <sub>CC</sub> or GND	—	8.0	—	10.0	μA
Input leakage current	I <sub>LI</sub>	V <sub>IN</sub> = GND to V <sub>CC</sub>	—	2.0	—	2.0	μA
Output leakage current	I <sub>LO</sub>	V <sub>OUT</sub> = GND to V <sub>CC</sub>	—	2.0	—	2.0	μA
Low level output voltage	V <sub>OL1</sub>	I <sub>OL</sub> = 2.0 mA	—	—	—	0.4	V
	V <sub>OL2</sub>	I <sub>OL</sub> = 1.5 mA	—	0.4	—	0.4	V
High level output voltage	V <sub>OH1</sub>	I <sub>OH</sub> = -2.0 mA	—	—	0.8 × V <sub>CC</sub>	—	V
	V <sub>OH2</sub>	I <sub>OH</sub> = -0.4 mA	0.8 × V <sub>CC</sub>	—	0.8 × V <sub>CC</sub>	—	V

■ AC Electrical Characteristics

Table 12 Measurement Conditions

Input pulse voltage	$0.2 \times V_{CC}$ to $0.8 \times V_{CC}$
Output reference voltage	$0.5 \times V_{CC}$
Output load	100 pF

Table 13

Item	Symbol	Ta = -40°C to +125°C		Unit
		V <sub>CC</sub> = 2.5 V to 5.5 V		
		Min.	Max.	
SCK clock frequency	f <sub>SCK</sub>	—	5.0	MHz
$\overline{CS}$ setup time during $\overline{CS}$ falling	t <sub>CSS.CL</sub>	90	—	ns
$\overline{CS}$ setup time during $\overline{CS}$ rising	t <sub>CSS.CH</sub>	90	—	ns
$\overline{CS}$ deselect time	t <sub>CDS</sub>	90	—	ns
$\overline{CS}$ hold time during $\overline{CS}$ falling	t <sub>CSH.CL</sub>	90	—	ns
$\overline{CS}$ hold time during $\overline{CS}$ rising	t <sub>CSH.CH</sub>	90	—	ns
SCK clock time "H" <sup>*1</sup>	t <sub>HIGH</sub>	90	—	ns
SCK clock time "L" <sup>*1</sup>	t <sub>LOW</sub>	90	—	ns
Rising time of SCK clock <sup>*2</sup>	t <sub>RSK</sub>	—	1	μs
Falling time of SCK clock <sup>*2</sup>	t <sub>FSK</sub>	—	1	μs
SI data input setup time	t <sub>DS</sub>	20	—	ns
SI data input hold time	t <sub>DH</sub>	30	—	ns
SCK "L" hold time during $\overline{HOLD}$ rising	t <sub>SKH.HH</sub>	70	—	ns
SCK "L" hold time during $\overline{HOLD}$ falling	t <sub>SKH.HL</sub>	40	—	ns
SCK "L" setup time during $\overline{HOLD}$ falling	t <sub>SKS.HL</sub>	0	—	ns
SCK "L" setup time during $\overline{HOLD}$ rising	t <sub>SKS.HH</sub>	0	—	ns
Disable time of SO output <sup>*2</sup>	t <sub>OZ</sub>	—	100	ns
Delay time of SO output	t <sub>OD</sub>	—	70	ns
Hold time of SO output	t <sub>OH</sub>	0	—	ns
Rising time of SO output <sup>*2</sup>	t <sub>RO</sub>	—	40	ns
Falling time of SO output <sup>*2</sup>	t <sub>FO</sub>	—	40	ns
Disable time of SO output during $\overline{HOLD}$ falling <sup>*2</sup>	t <sub>OZ.HL</sub>	—	100	ns
Delay time of SO output during $\overline{HOLD}$ rising <sup>*2</sup>	t <sub>OD.HH</sub>	—	50	ns
$\overline{WP}$ setup time	t <sub>WS1</sub>	0	—	ns
$\overline{WP}$ hold time	t <sub>WH1</sub>	0	—	ns
$\overline{WP}$ release / setup time	t <sub>WS2</sub>	0	—	ns
$\overline{WP}$ release / hold time	t <sub>WH2</sub>	30	—	ns

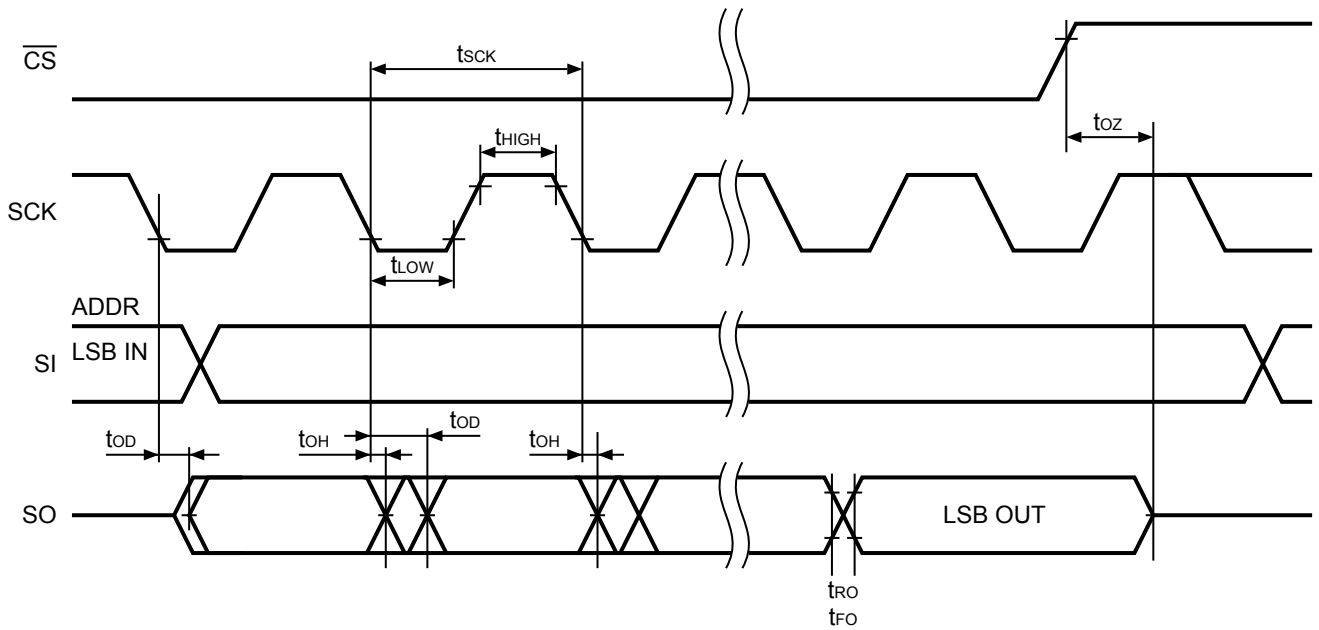
\*1. The clock cycle of the SCK clock (frequency f<sub>SCK</sub>) is 1 / f<sub>SCK</sub> μs. This clock cycle is determined by a combination of several AC characteristics. Note that the clock cycle cannot be set as (1 / f<sub>SCK</sub>) = t<sub>LOW</sub> (min.) + t<sub>HIGH</sub> (min.) by minimizing the SCK clock cycle time.

\*2. These are values of sample and not 100% tested.

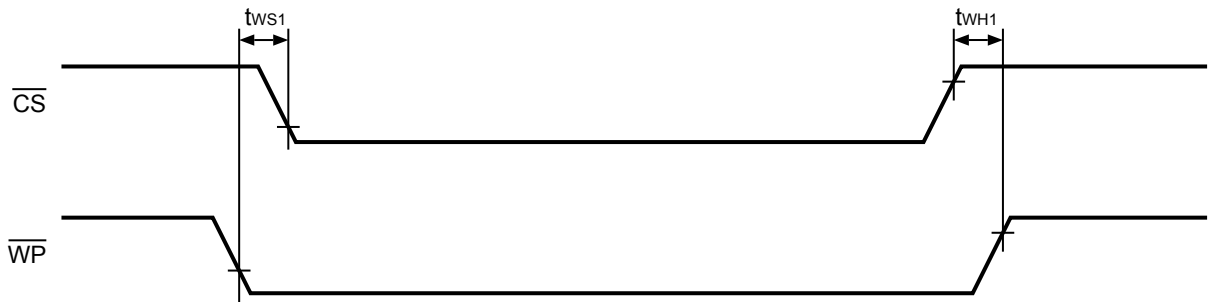
Table 14

Item	Symbol	Ta = -40°C to +125°C		Unit
		V <sub>CC</sub> = 2.5 V to 5.5 V		
		Min.	Max.	
Write time	t <sub>PR</sub>	—	5.0	ms

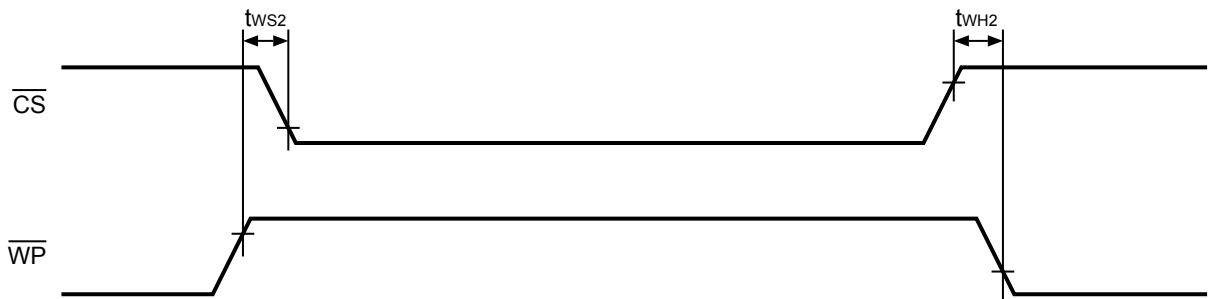




**Figure 5 Serial Output Timing**



**Figure 6 Valid Timing in Write Protect**



**Figure 7 Invalid Timing in Write Protect**



## ■ Pin Functions

### 1. $\overline{\text{CS}}$ (chip select input) pin

This is an input pin to set a chip in the select status. In the "H" input level, this IC is in the non-select status and its output is "High-Z". This IC is in standby as long as it is not in write inside. This IC goes in active by setting the chip select to "L". Input any instruction code after power-on and a falling of chip select.

### 2. SI (serial data input) pin

This pin is to input serial data. This pin receives an instruction code, an address and write data. This pin latches data at rising edge of serial clock.

### 3. SO (serial data output) pin

This pin is to output serial data. The data output changes at falling edge of serial clock.

### 4. SCK (serial clock input) pin

This is a clock input pin to set the timing of serial data. An instruction code, an address and write data are received at a rising edge of clock. Data is output during falling edge of clock.

### 5. $\overline{\text{WP}}$ (write protect input) pin

Write protect is purposed to protect the area size against the write instruction (BP1, BP0 in the status register). Fix this pin "H" or "L" not to set it in the floating state.

Refer to "■ Protect Operation" for details.

### 6. HOLD (hold input) pin

This pin is used to pause serial communications without setting this IC in the non-select status.

In the hold status, the serial output goes in "High-Z", the serial input and the serial clock go in "Don't care". During the hold operation, be sure to set this IC in active by setting the chip select ( $\overline{\text{CS}}$  pin) to "L".

Refer to "■ Hold Operation" for details.

## ■ Initial Delivery State

Initial delivery state of all addresses is "FFh".

Moreover, initial delivery state of the status register nonvolatile memory is as follows.

- SRWD = 0
- BP1 = 0
- BP0 = 0

## ■ Instruction Set

Table 15 is the list of instruction for This IC. the instruction is able to be input by changing the  $\overline{CS}$  pin "H" to "L". Input the instruction in the MSB first. Each instruction code is organized with 1-byte as shown below. If this IC receives any invalid instruction code, this IC goes in the non-select status.

Table 15 Instruction Set

Instruction	Operation	Instruction Code	Address			Data
		SCK Input Clock 1 to 8	SCK Input Clock 9 to 16	SCK Input Clock 17 to 24	SCK Input Clock 25 to 32	
WREN	Write enable	0000 0110	—	—	—	
WRDI	Write disable	0000 0100	—	—	—	
RDSR	Read the status register	0000 0101	b7 to b0 output <sup>*1</sup>	—	—	
WRSR	Write in the status register	0000 0001	b7 to b0 input	—	—	
READ	Read memory data	0000 0011	A15 to A8 <sup>*2</sup>	A7 to A0	D7 to D0 output <sup>*3</sup>	
WRITE	Write memory data	0000 0010	A15 to A8 <sup>*2</sup>	A7 to A0	D7 to D0 input	

\*1. Sequential data reading is possible.

\*2. The higher addresses A15 = Don't care.

\*3. After outputting data in the specified address, data in the following address is output.

## ■ Operation

### 1. Status register

The status register's organization is below. The status register can write and read by a specific instruction.

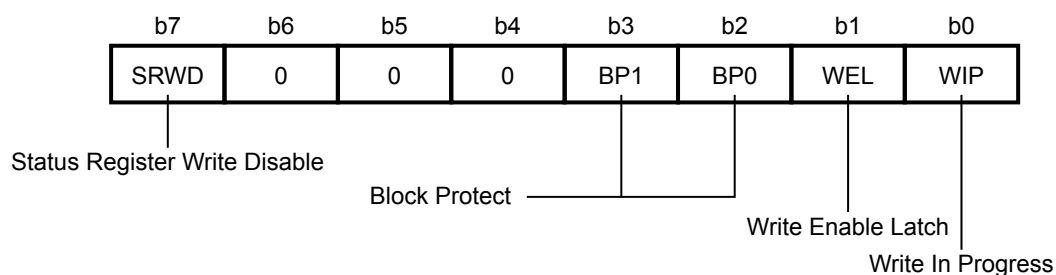


Figure 8 Organization of Status Register

The status / control bits of the status register as follows.

#### 1.1 SRWD (b7) : Status Register Write Disable

Bit SRWD operates in conjunction with the write protect signal ( $\overline{WP}$ ). With a combination of bit SRWD and signal  $\overline{WP}$  (SRWD = "1",  $\overline{WP}$  = "L"), this IC goes in Hardware Protect status. In this case, the bits composed of the nonvolatile memory in the status register (SRWD, BP1, BP0) go in read only, so that the WRSR instruction is not performed.

**1.2 BP1, BP0 (b3, b2) : Block Protect**

Bit BP1 and BP0 are composed of the nonvolatile memory. The area size of Software Protect against WRITE instruction is defined by them. Rewriting these bits is possible by the WRSR instruction. To protect the memory area against the WRITE instruction, set either or both of bit BP1 and BP0 to "1". Rewriting bit BP1 and BP0 is possible unless they are in Hardware Protect mode. Refer to "■ Protect Operation" for details of Block Protect.

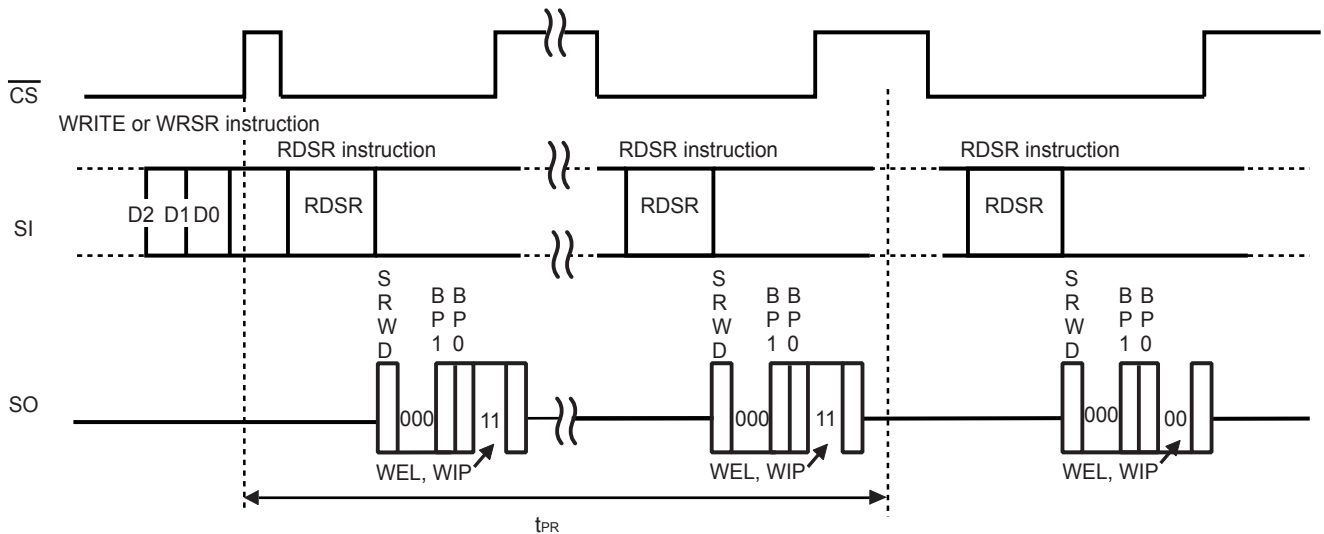
**1.3 WEL (b1) : Write Enable Latch**

Bit WEL shows the status of internal Write Enable Latch. Bit WEL is set by the WREN instruction only. If bit WEL is "1", this is the status that Write Enable Latch is set. If bit WEL is "0", Write Enable Latch is in reset, so that this IC does not receive the WRITE or WRSR instruction. Bit WEL is reset after these operations;

- The power supply voltage is dropping
- At power-on
- After performing WRDI
- After the completion of write operation by the WRSR instruction
- After the completion of write operation by the WRITE instruction

**1.4 WIP (b0) : Write In Progress**

Bit WIP is read only and shows whether the internal memory is in the write operation or not by the WRITE or WRSR instruction. Bit WIP is "1" during the write operation but "0" during any other status. **Figure 9** shows the usage example.



**Figure 9 Usage Example of WEL, WIP Bits during Write**

**2. Write enable (WREN)**

Before writing data (WRITE and WRSR), be sure to set bit Write Enable Latch (WEL). This instruction is to set bit WEL. Its operation is below.

After selecting this IC by the chip select ( $\overline{CS}$ ), input the instruction code from serial data input (SI). To set bit WEL, set this IC in the non-select status by  $\overline{CS}$  at the 8th clock of the serial clock (SCK). To cancel the WREN instruction, input the clock different from a specified value ( $n = 8$  clock) while  $\overline{CS}$  is in "L".

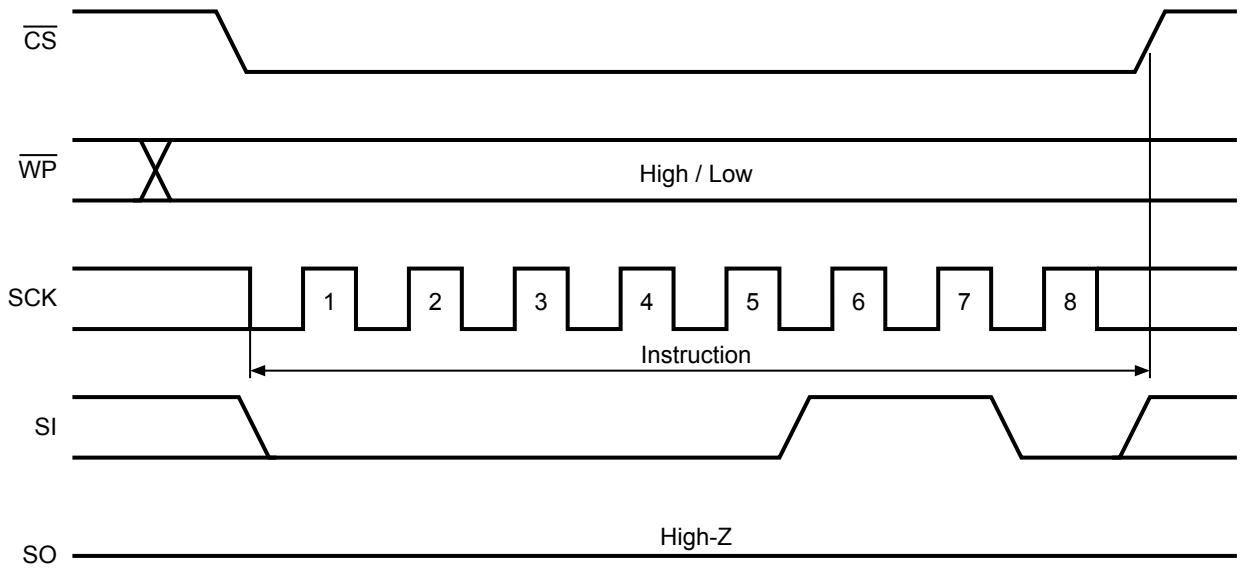


Figure 10 WREN Operation

**3. Write disable (WRDI)**

The WRDI instruction is one of ways to reset bit Write Enable Latch (WEL). After selecting this IC by the chip select ( $\overline{CS}$ ), input the instruction code from serial data input (SI).

To reset bit WEL, set this IC in the non-select status by  $\overline{CS}$  at the 8th clock of the serial clock.

To cancel the WRDI instruction, input the clock different from a specified value (n = 8 clock) while  $\overline{CS}$  is in "L". Bit WEL is reset after the operations shown below.

- The power supply voltage is dropping
- At power-on
- After performing WRDI
- After the completion of write operation by the WRSR instruction
- After the completion of write operation by the WRITE instruction

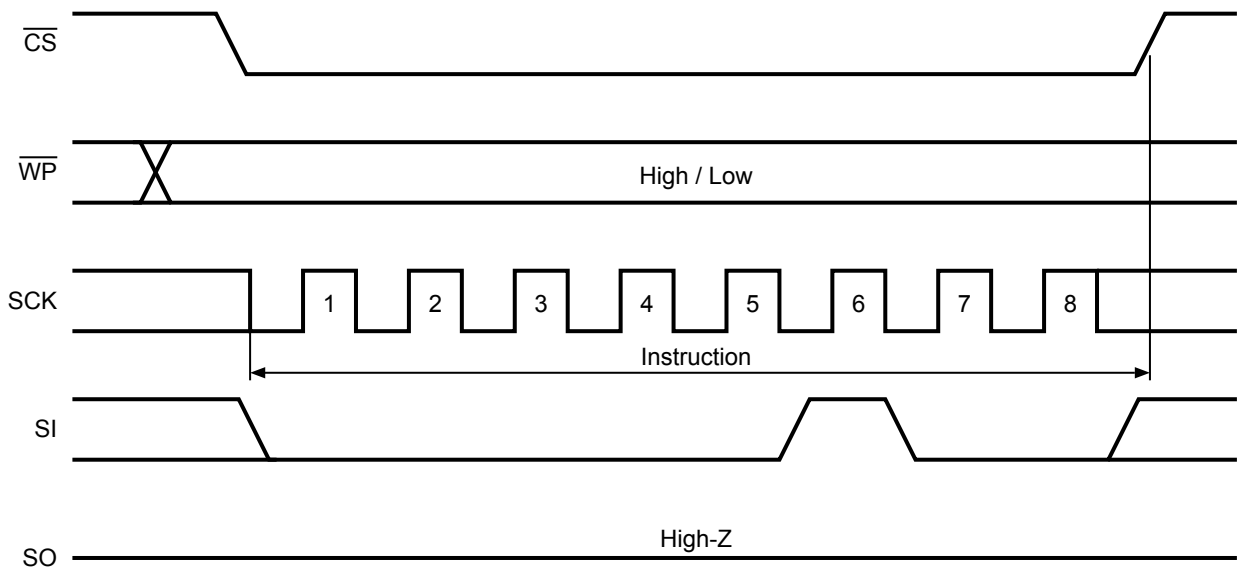


Figure 11 WRDI Operation

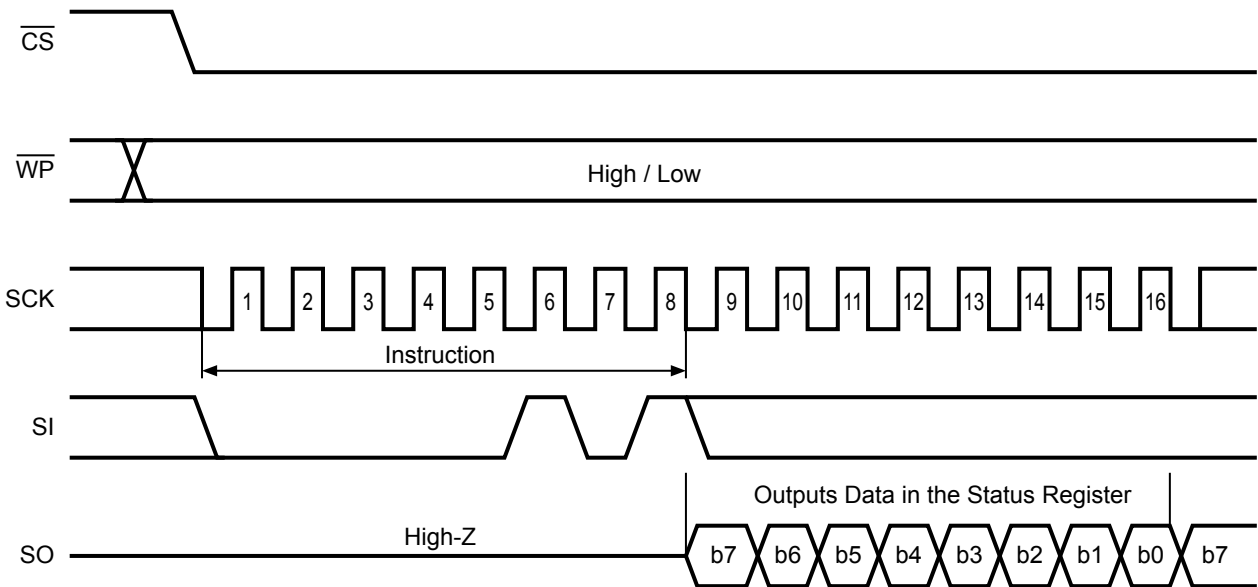
**4. Read the status register (RDSR)**

Reading data in the status register is possible by the RDSR instruction. During the write operation, it is possible to confirm the progress by checking bit WIP.

Set the chip select ( $\overline{CS}$ ) "L" first. After that, input the instruction code from serial data input (SI). The status of bit in the status register is output from serial data output (SO). Sequential read is available for the status register. To stop the read cycle, set  $\overline{CS}$  to "H".

It is possible to read the status register always. The bits in it are valid and can be read by RDSR even in the write cycle.

The 2 bits WEL and WIP are updated during the write cycle. The updated nonvolatile bits SRWD, BP1 and BP0 can be acquired by performing a new RDSR instruction after verifying the completion of the write cycle.



**Figure 12 RDSR Operation**

**5. Write in the status register (WRSR)**

The values of status register (SRWD, BP1, BP0) can be rewritten by inputting the WRSR instruction. But b6, b5, b4, b1, b0 of status register cannot be rewritten. b6 to 4 are always data "0" when reading the status register.

Before inputting the WRSR instruction, set bit WEL by the WREN instruction. The operation of WRSR is shown below.

Set the chip select ( $\overline{CS}$ ) "L" first. After that, input the instruction code and data from serial data input (SI). To start WRSR write ( $t_{PR}$ ), set the chip select ( $\overline{CS}$ ) to "H" after inputting data or before inputting a rising of the next serial clock. It is possible to confirm the operation status by reading the value of bit WIP during WRSR write. Bit WIP is "1" during write, "0" during any other status. Bit WEL is reset when write is completed.

With the WRSR instruction, the values of BP1 and BP0; which determine the area size the users can handle as the Read only memory; can be changed. Besides bit SRWD can be set or reset by the WRSR instruction depending on the status of write protect ( $\overline{WP}$ ). With a combination of bit SRWD and write protect ( $\overline{WP}$ ), this IC can be set in Hardware Protect mode (HPM). In this case, the WRSR instruction is not be performed (Refer to "■ Protect Operation").

Bit SRWD and BP1, BP0 keep the value which is the one prior to the WRSR instruction during the WRSR instruction. The newly updated value is changed when the WRSR instruction has completed.

To cancel the WRSR instruction, input the clock different from a specified value ( $n = 16$  clock) while  $\overline{CS}$  is in "L".

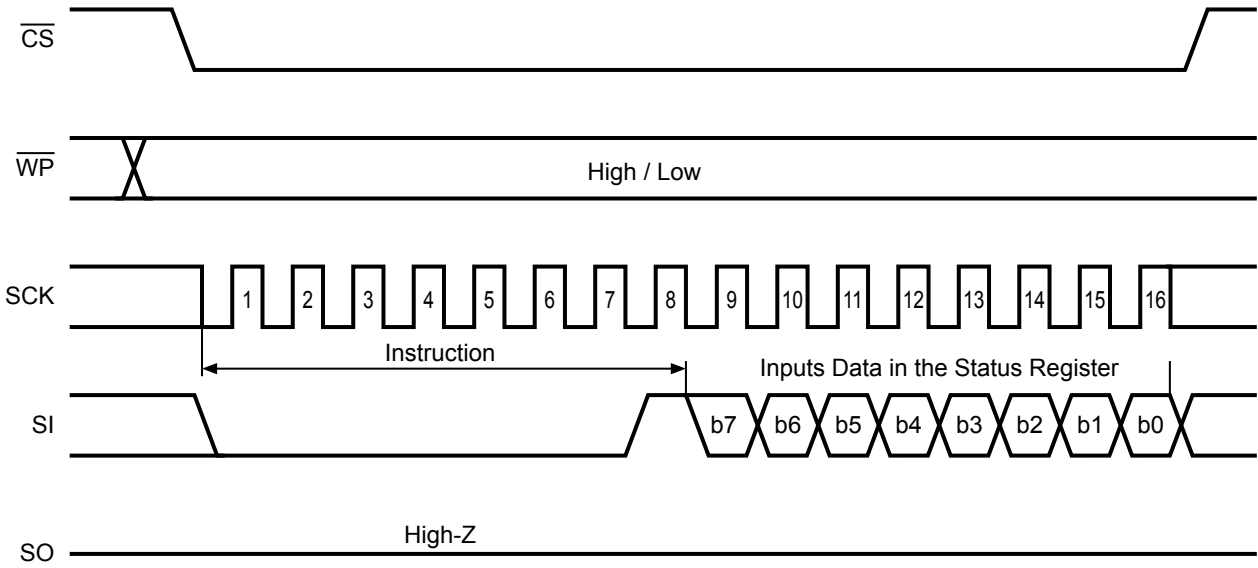


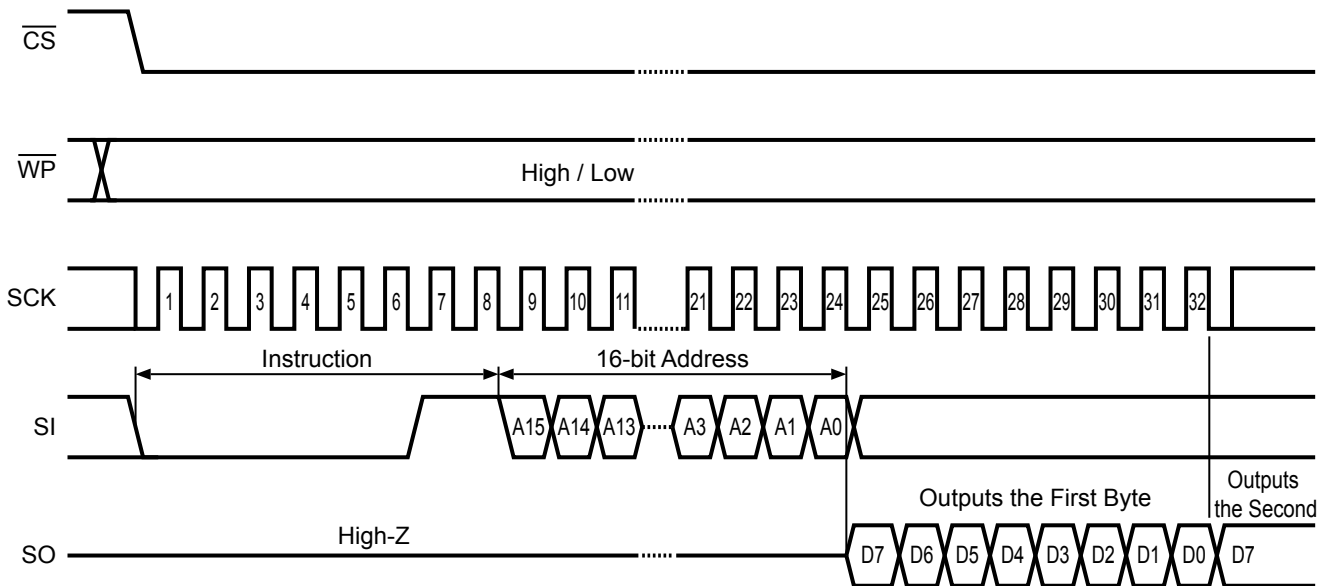
Figure 13 WRSR Operation

**6. Read memory data (READ)**

The READ operation is shown below. Input the instruction code and the address from serial data input (SI) after inputting "L" to the chip select ( $\overline{CS}$ ). The input address is loaded to the internal address counter, and data in the address is output from the serial data output (SO).

Next, by inputting the serial clock (SCK) keeping the chip select ( $\overline{CS}$ ) in "L", the address is automatically incremented so that data in the following address is sequentially output. The address counter rolls over to the first address by increment in the last address.

To finish the read cycle, set  $\overline{CS}$  to "H". It is possible to raise the chip select always during the cycle. During write, the READ instruction code is not be accepted or operated.



**Remark** The higher addresses A15 = Don't care.

Figure 14 READ Operation

**7. Write memory data (WRITE)**

**Figure 15** shows the timing chart when inputting 1-byte data. Input the instruction code, the address and data from serial data input (SI) after inputting "L" to the chip select ( $\overline{CS}$ ). To start WRITE ( $t_{PR}$ ), set the chip select ( $\overline{CS}$ ) to "H" after inputting data or before inputting a rising of the next serial clock. Bit WIP and WEL are reset to "0" when write has completed.

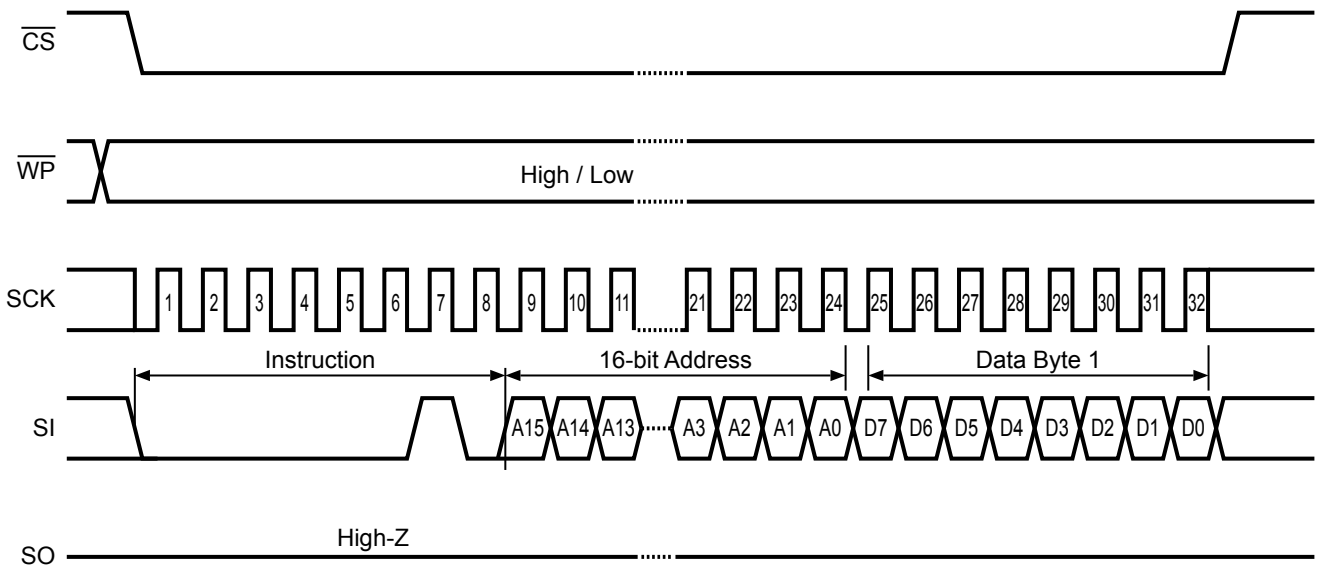
This IC can Page write of 64 bytes. Its function to transmit data is as same as Byte write basically, but it operates Page write by receiving sequential 8-bit write data as much data as page size has. Input the instruction code, the address and data from serial data input (SI) after inputting "L" in  $\overline{CS}$ , as the WRITE operation (page) shown in **Figure 16**. Input the next data while keeping  $\overline{CS}$  in "L". After that, repeat inputting data of 8-bit sequentially. At the end, by setting  $\overline{CS}$  to "H", the WRITE operation starts ( $t_{PR}$ ).

6 of the lower bits in the address are automatically incremented every time when receiving write data of 8-bit. Thus, even if write data exceeds 64 bytes, the higher bits in the address do not change. And 6 of lower bits in the address roll over so that write data which is previously input is overwritten.

These are cases when the WRITE instruction is not accepted or operated.

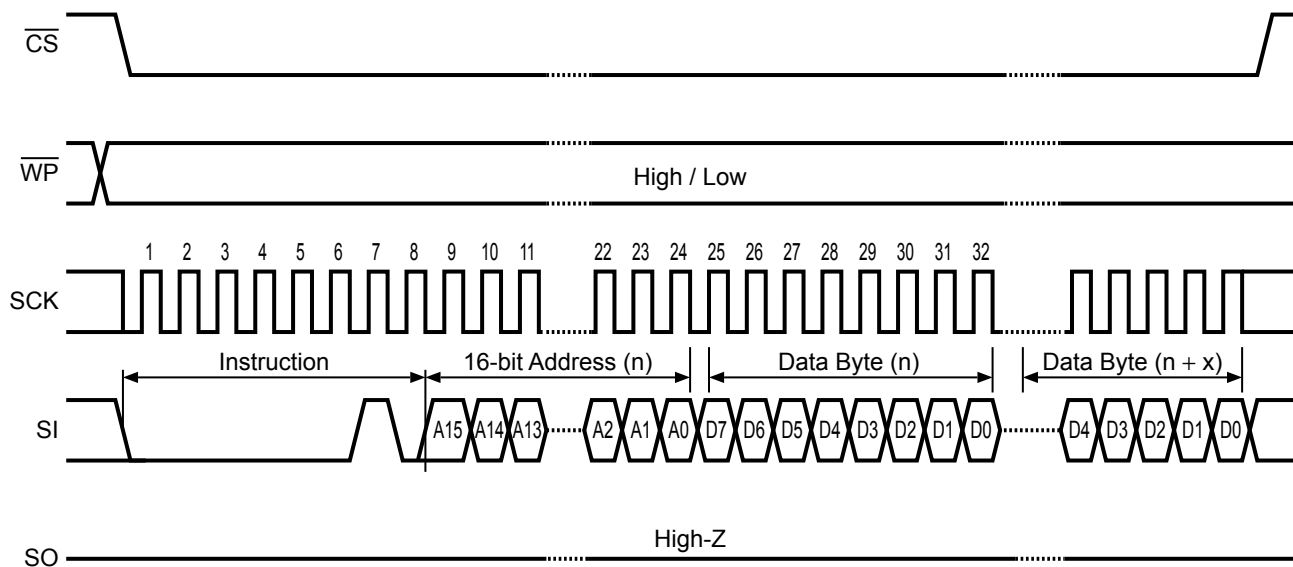
- Bit WEL is not set to "1" (not set to "1" beforehand immediately before the WRITE instruction)
- During WRITE operation
- The address to be written is in the protect area by BP1 and BP0

To cancel the WRITE instruction, input the clock different from a specified value ( $n = 24 + m \times 8$  clock) while  $\overline{CS}$  is in "L".



**Remark** The higher addresses A15 = Don't care.

**Figure 15 WRITE Operation (1 Byte)**



**Remark** The higher addresses A15 = Don't care.

**Figure 16 WRITE Operation (Page)**

## ■ Protect Operation

**Table 16** shows the block settings of write protect. **Table 17** shows the protect operation for this IC. As long as bit SRWD, the Status Register write Disable bit, in the status register is reset to "0" (it is in reset before the shipment), the value of status register can be changed.

These are two statuses when bit SRWD is set to "1".

- Write in the status register is possible; write protect ( $\overline{WP}$ ) is in "H".
- Write in the status register is impossible; write protect ( $\overline{WP}$ ) is in "L". Therefore the write protect area which is set by protect bit (BP1, BP0) in the status register cannot be changed.

These operations are to set Hardware Protect (HPM).

- After setting bit SRWD, set write protect ( $\overline{WP}$ ) to "L".
- Set bit SRWD completed setting write protect ( $\overline{WP}$ ) to "L".

The timing during the cycle write to the status register is showed in "**Figure 6 Valid Timing in Write Protect**" and "**Figure 7 Invalid Timing in Write Protect**".

By inputting "H" to write protect ( $\overline{WP}$ ), Hardware Protect (HPM) is released. If the write protect ( $\overline{WP}$ ) is "H", Hardware Protect (HPM) does not function, Software Protect (SPM) which is set by the protect bits in the status register (BP1, BP0) only works.



**Table 16 Block Settings of Write Protect**

Status Register		Area of Write Protect	Address of Write Protect Block
BP1	BP0		
0	0	0%	None
0	1	25%	6000h to 7FFFh
1	0	50%	4000h to 7FFFh
1	1	100%	0000h to 7FFFh

**Table 17 Protect Operation**

Mode	$\overline{WP}$ Pin	Bit SRWD	Bit WEL	Write Protect Block	General Block	Status Register
Software Protect (SPM)	1	X	0	Write disable	Write disable	Write disable
	1	X	1	Write disable	Write enable	Write enable
	X	0	0	Write disable	Write disable	Write disable
	X	0	1	Write disable	Write enable	Write enable
Hardware Protect (HPM)	0	1	0	Write disable	Write disable	Write disable
	0	1	1	Write disable	Write enable	Write disable

**Remark** X = Don't care

## ■ Hold Operation

The hold operation is used to pause serial communications without setting this IC in the non-select status. In the hold status, the serial data output goes in "High-Z", and both of the serial data input and the serial clock go in "Don't care". Be sure to set the chip select ( $\overline{CS}$ ) to "L" to set this IC in the select status during the hold status.

Generally, during the hold status, this IC holds the select status. But if setting this IC in the non-select status, the users can finish the operation even in progress.

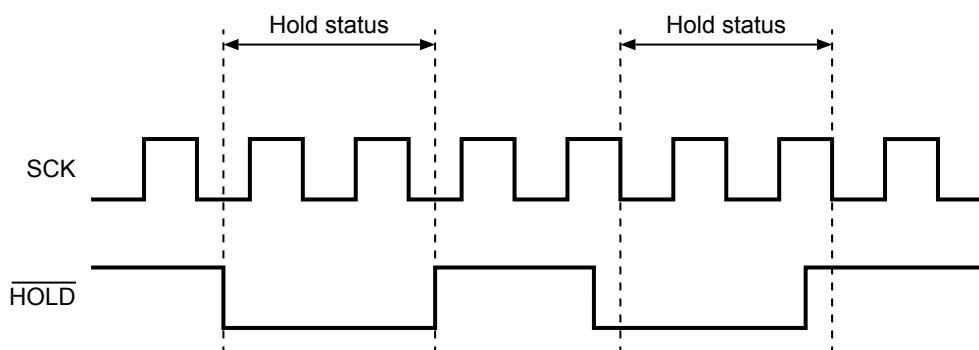
**Figure 17** shows the hold operation.

These are two statuses when the serial clock (SCK) is set to "L".

- If setting hold ( $\overline{HOLD}$ ) to "L", hold ( $\overline{HOLD}$ ) is switched at the same time the hold status starts.
- If setting hold ( $\overline{HOLD}$ ) to "H", hold ( $\overline{HOLD}$ ) is switched at the same time the hold status ends.

These are two statuses when the serial clock (SCK) is set to "H".

- If setting hold ( $\overline{HOLD}$ ) to "L", the hold status starts when the serial clock goes in "L" after hold ( $\overline{HOLD}$ ) is switched.
- If setting hold ( $\overline{HOLD}$ ) to "H", the hold status ends when the serial clock goes in "L" after hold ( $\overline{HOLD}$ ) is switched.



**Figure 17 Hold Operation**

## ■ Write Protect Function during the Low Power Supply Voltage

This IC has a built-in detection circuit which operates with the low power supply voltage. This IC cancels the write operation (WRITE, WRSR) when the power supply voltage drops and power-on, at the same time, goes in the write protect status (WRDI) automatically to reset bit WEL. Its detection and release voltages are 1.20 V typ. (Refer to **Figure 18**).

To operate write, after the power supply voltage dropped once but rose to the voltage level which allows write again, be sure to set the write Enable Latch bit (WEL) before operating write (WRITE, WRSR).

In the write operation, data in the address written during the low power supply voltage is not assured.

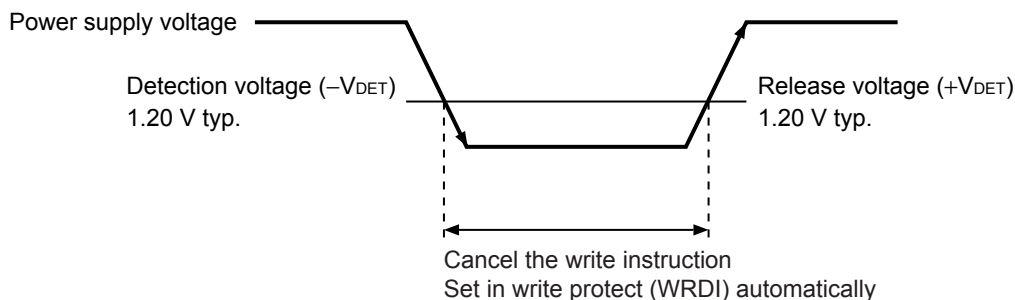


Figure 18 Operation during the Low Power Supply Voltage

## ■ Input Pin and Output Pin

### 1. Connection of input pin

All input pins in this IC have the CMOS structure. Do not set these pins in "High-Z" during operation when you design. Especially, set the  $\overline{CS}$  input pin in the non-select status "H" during power-on/off and standby. The error write does not occur as long as the  $\overline{CS}$  pin is in the non-select status "H". Set the  $\overline{CS}$  pin to  $V_{CC}$  via a resistor (the pull-up resistor of 10 k $\Omega$  to 100 k $\Omega$ ).

If the  $\overline{CS}$  pin and the SCK pin change from "L" to "H" simultaneously, data may be input from the SI pin.

To prevent the error for sure, it is recommended to pull down the SCK pin to GND. In addition, it is recommended to pull up the SI pin, the  $\overline{WP}$  pin and the  $\overline{HOLD}$  pin to  $V_{CC}$ , or pull down these pins to GND, respectively. Connecting the  $\overline{WP}$  pin and the  $\overline{HOLD}$  pin to  $V_{CC}$  directly is also possible when these pins are not in use.

### 2. Equivalent circuit of input pin and output pin

**Figure 19** and **Figure 20** show the equivalent circuits of input pins in this IC. A pull-up and pull-down elements are not included in each input pin, pay attention not to set it in the floating state when you design.

**Figure 21** shows the equivalent circuit of the output pin. This pin has the tri-state output of "H" / "L" / "High-Z".

#### 2.1 Input pin

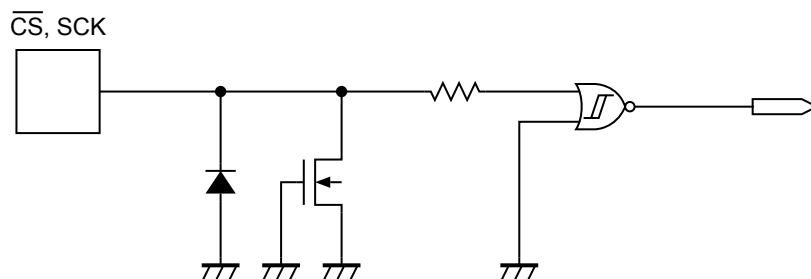


Figure 19  $\overline{CS}$ , SCK Pin

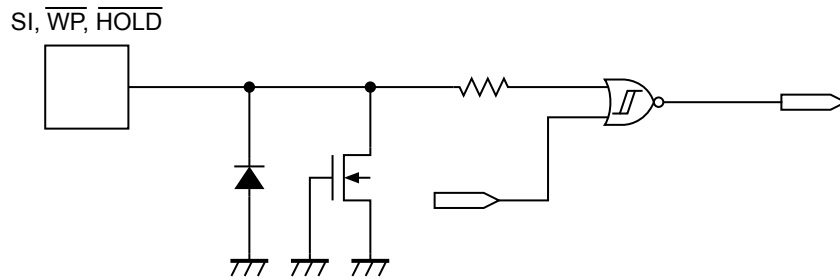


Figure 20 SI,  $\overline{WP}$ ,  $\overline{HOLD}$  Pin

## 2.2 Output pin

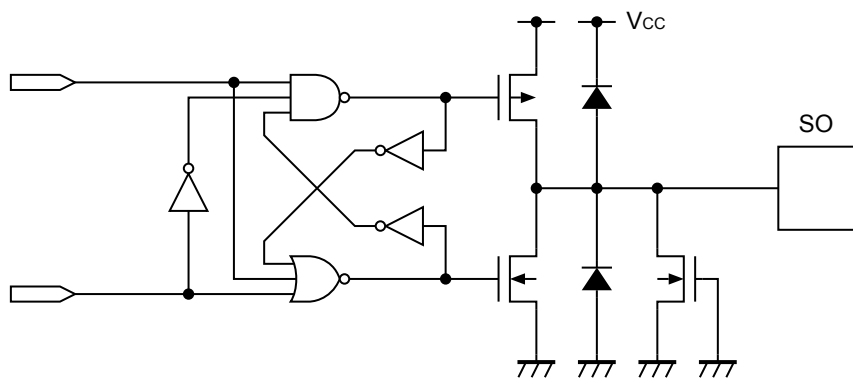
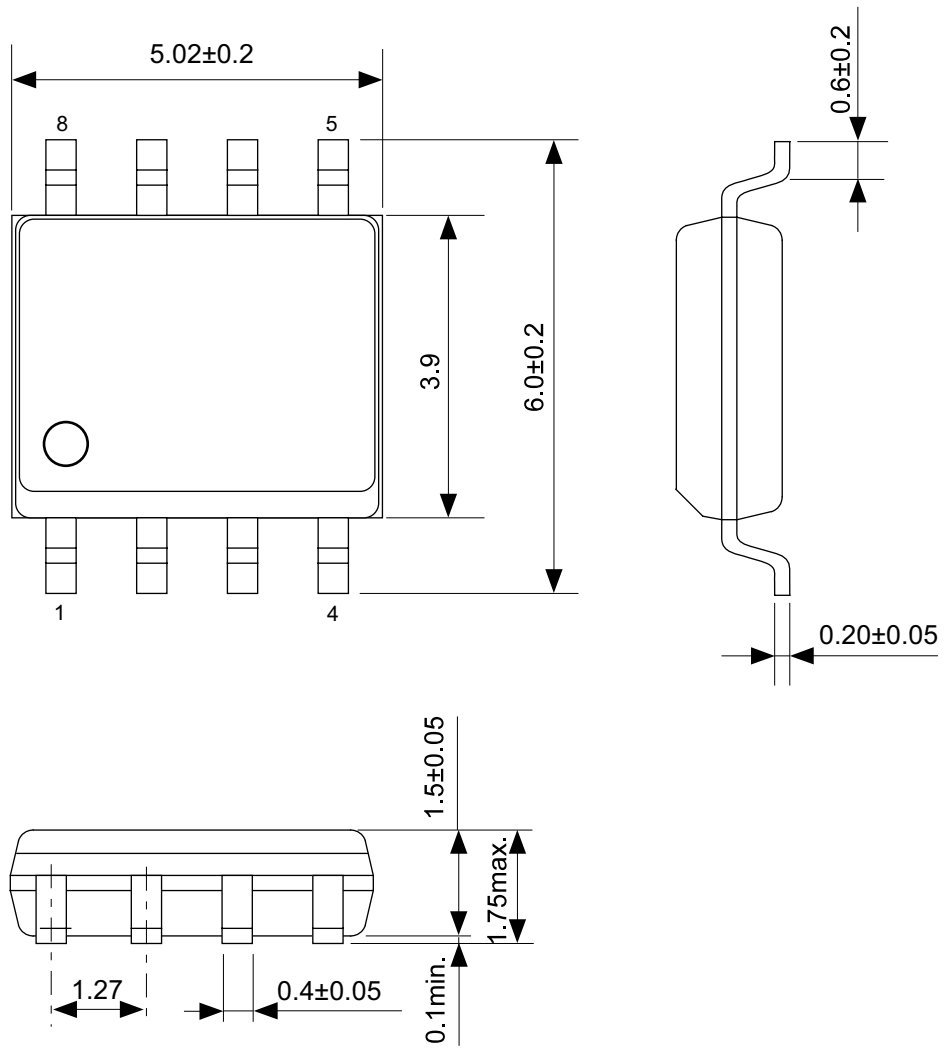


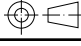
Figure 21 SO Pin

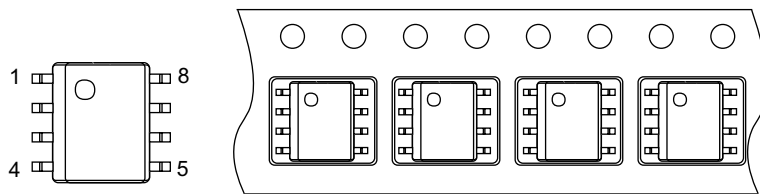
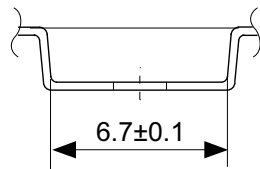
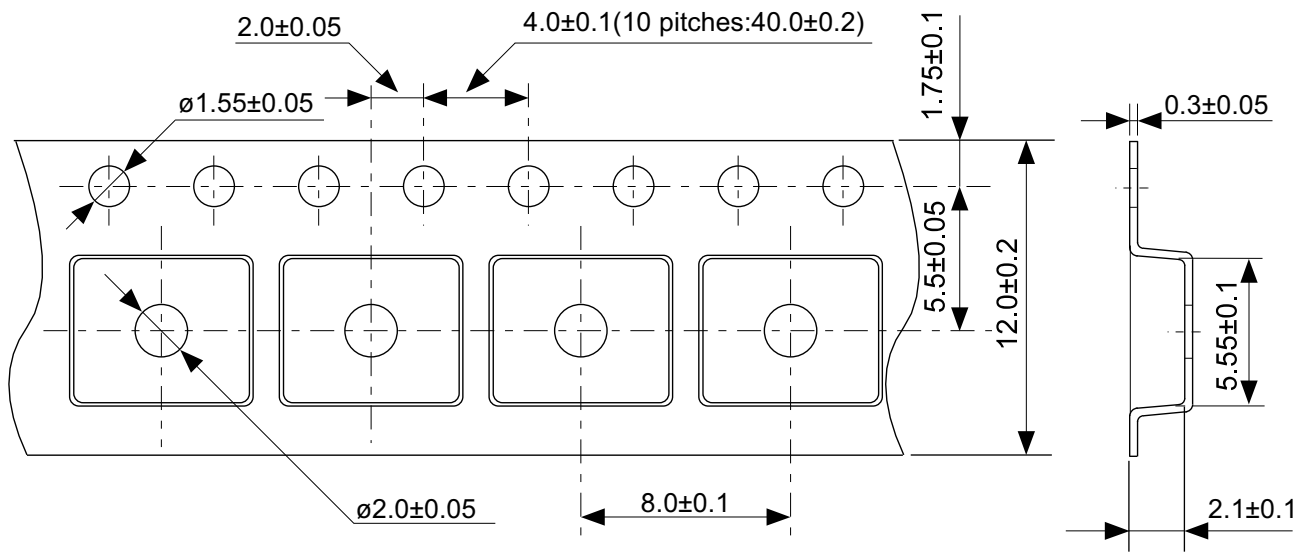
## ■ Precautions

- Absolute maximum ratings: Do not operate these ICs in excess of the absolute maximum ratings (as listed on the data sheet). Exceeding the supply voltage rating can cause latch-up. Perform operations after confirming the detailed operation condition in the data sheet.
- Operations with moisture on this IC's pins may occur malfunction by short-circuit between pins. Especially, in occasions like picking this IC up from low temperature tank during the evaluation. Be sure that not remain frost on this IC's pins to prevent malfunction by short-circuit.  
Also attention should be paid in using on environment, which is easy to dew for the same reason.
- Do not apply an electrostatic discharge to this IC that exceeds the performance ratings of the built-in electrostatic protection circuit.
- ABLIC Inc. claims no responsibility for any and all disputes arising out of or in connection with any infringement of the products including this IC upon patents owned by a third party.



No. FJ008-A-P-SD-2.2

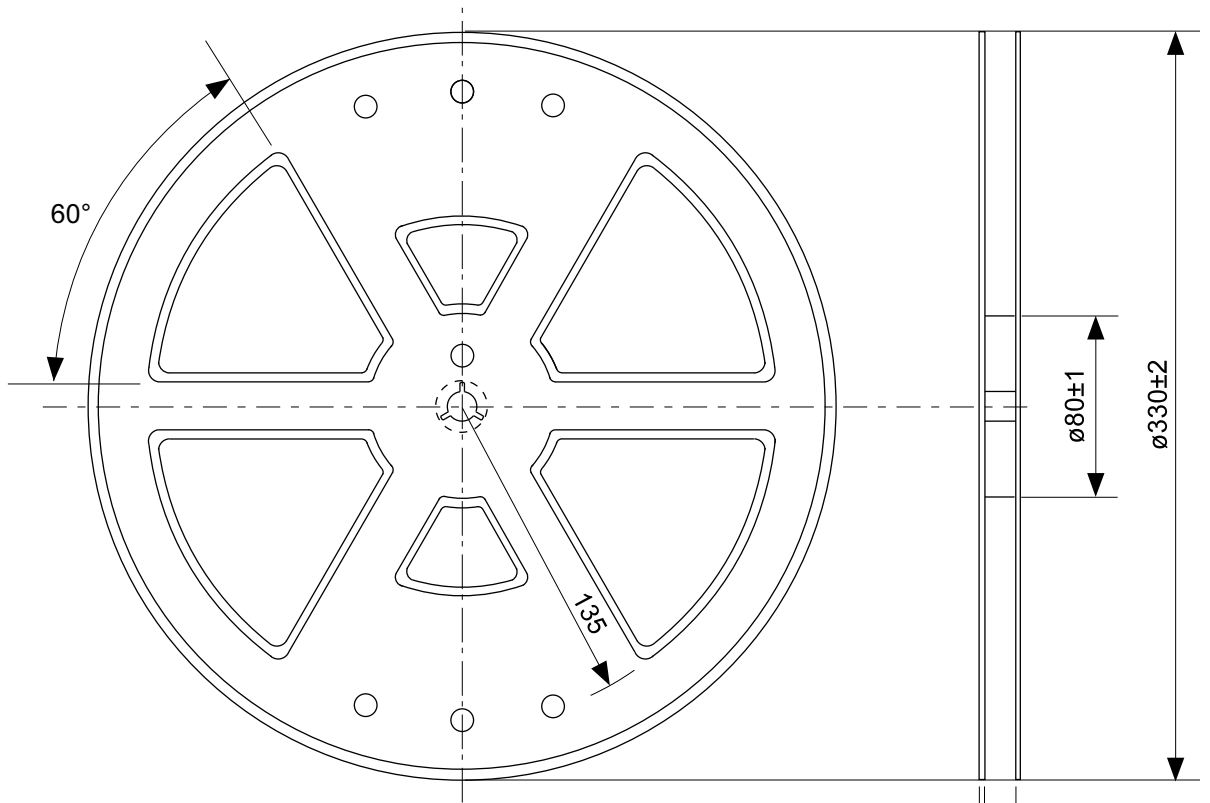
TITLE	SOP8J-D-PKG Dimensions
No.	FJ008-A-P-SD-2.2
ANGLE	
UNIT	mm
<b>ABLIC Inc.</b>	



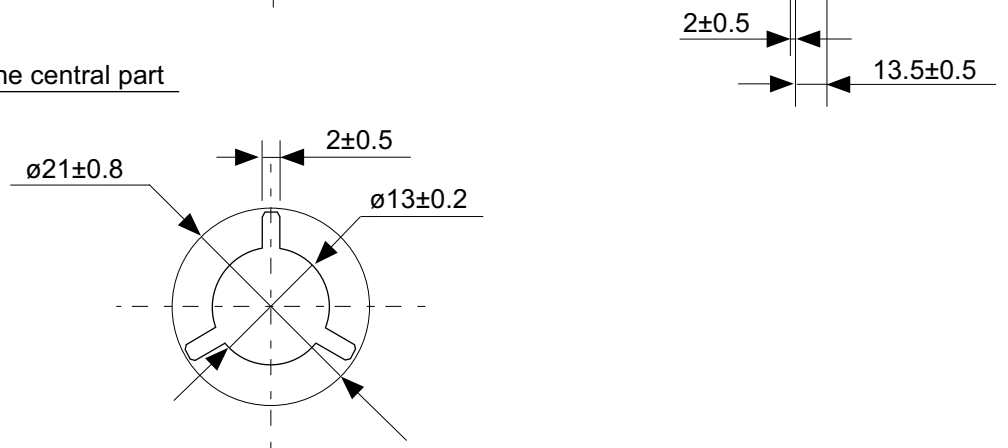
→  
Feed direction

No. FJ008-D-C-SD-1.1

TITLE	SOP8J-D-Carrier Tape
No.	FJ008-D-C-SD-1.1
ANGLE	
UNIT	mm
<b>ABLIC Inc.</b>	



Enlarged drawing in the central part



No. FJ008-D-R-S1-1.0

TITLE	SOP8J-D-Reel		
No.	FJ008-D-R-S1-1.0		
ANGLE		QTY.	4,000
UNIT	mm		
<b>ABLIC Inc.</b>			

## Disclaimers (Handling Precautions)

1. All the information described herein (product data, specifications, figures, tables, programs, algorithms and application circuit examples, etc.) is current as of publishing date of this document and is subject to change without notice.
2. The circuit examples and the usages described herein are for reference only, and do not guarantee the success of any specific mass-production design.  
ABLIC Inc. is not responsible for damages caused by the reasons other than the products described herein (hereinafter "the products") or infringement of third-party intellectual property right and any other right due to the use of the information described herein.
3. ABLIC Inc. is not responsible for damages caused by the incorrect information described herein.
4. Be careful to use the products within their specified ranges. Pay special attention to the absolute maximum ratings, operation voltage range and electrical characteristics, etc.  
ABLIC Inc. is not responsible for damages caused by failures and / or accidents, etc. that occur due to the use of the products outside their specified ranges.
5. When using the products, confirm their applications, and the laws and regulations of the region or country where they are used and verify suitability, safety and other factors for the intended use.
6. When exporting the products, comply with the Foreign Exchange and Foreign Trade Act and all other export-related laws, and follow the required procedures.
7. The products must not be used or provided (exported) for the purposes of the development of weapons of mass destruction or military use. ABLIC Inc. is not responsible for any provision (export) to those whose purpose is to develop, manufacture, use or store nuclear, biological or chemical weapons, missiles, or other military use.
8. The products are not designed to be used as part of any device or equipment that may affect the human body, human life, or assets (such as medical equipment, disaster prevention systems, security systems, combustion control systems, infrastructure control systems, vehicle equipment, traffic systems, in-vehicle equipment, aviation equipment, aerospace equipment, and nuclear-related equipment), excluding when specified for in-vehicle use or other uses. Do not apply the products to the above listed devices and equipments without prior written permission by ABLIC Inc. Especially, the products cannot be used for life support devices, devices implanted in the human body and devices that directly affect human life, etc.  
Prior consultation with our sales office is required when considering the above uses.  
ABLIC Inc. is not responsible for damages caused by unauthorized or unspecified use of our products.
9. Semiconductor products may fail or malfunction with some probability.  
The user of the products should therefore take responsibility to give thorough consideration to safety design including redundancy, fire spread prevention measures, and malfunction prevention to prevent accidents causing injury or death, fires and social damage, etc. that may ensue from the products' failure or malfunction.  
The entire system must be sufficiently evaluated and applied on customer's own responsibility.
10. The products are not designed to be radiation-proof. The necessary radiation measures should be taken in the product design by the customer depending on the intended use.
11. The products do not affect human health under normal use. However, they contain chemical substances and heavy metals and should therefore not be put in the mouth. The fracture surfaces of wafers and chips may be sharp. Be careful when handling these with the bare hands to prevent injuries, etc.
12. When disposing of the products, comply with the laws and ordinances of the country or region where they are used.
13. The information described herein contains copyright information and know-how of ABLIC Inc.  
The information described herein does not convey any license under any intellectual property rights or any other rights belonging to ABLIC Inc. or a third party. Reproduction or copying of the information from this document or any part of this document described herein for the purpose of disclosing it to a third-party without the express permission of ABLIC Inc. is strictly prohibited.
14. For more details on the information described herein, contact our sales office.

2.2-2018.06