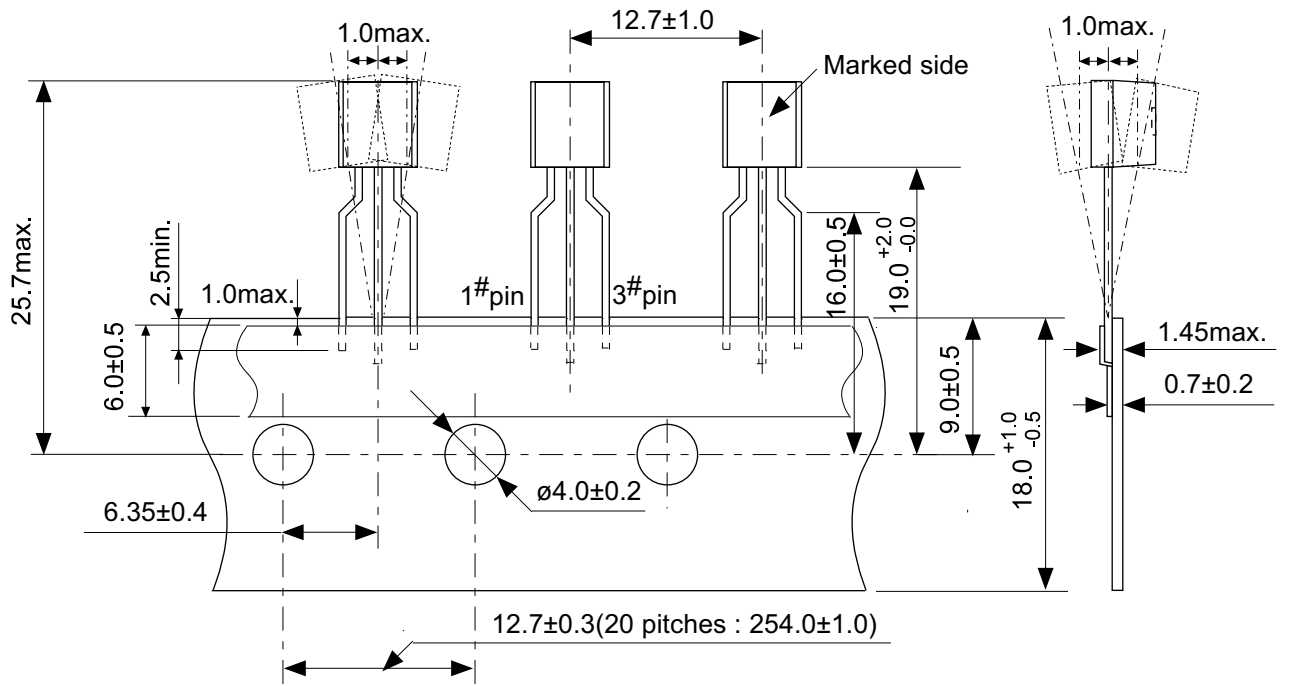
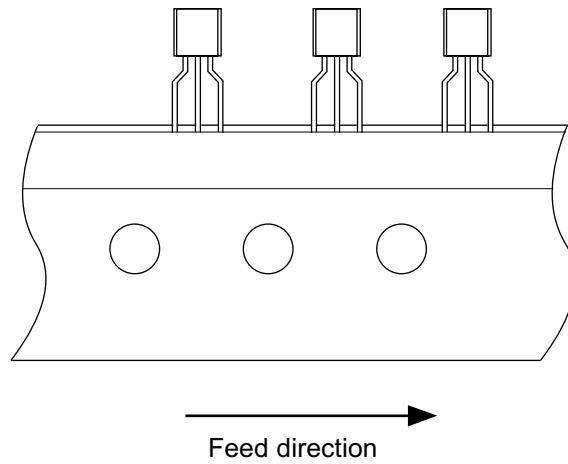


No. YZ003-E-P-SD-2.1

TITLE	TO92-E-PKG Dimensions
No.	YZ003-E-P-SD-2.1
ANGLE	
UNIT	mm
ABLIC Inc.	



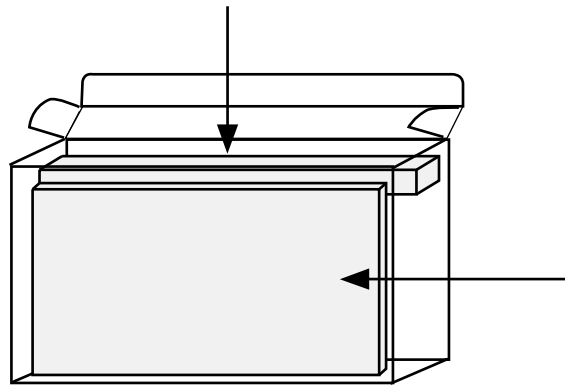
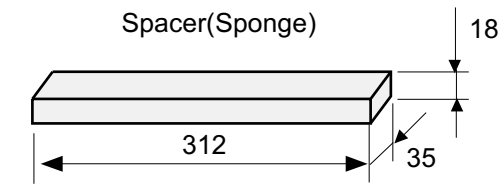
Z type



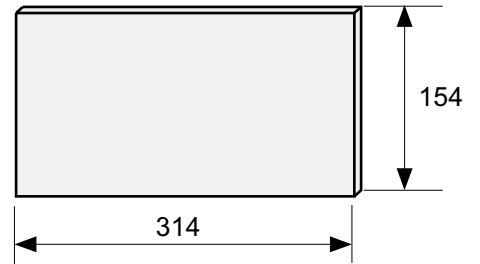
No. YZ003-E-C-SD-1.1

TITLE	TO92-E-Radial Tape
No.	YZ003-E-C-SD-1.1
ANGLE	
UNIT	mm
ABLIC Inc.	

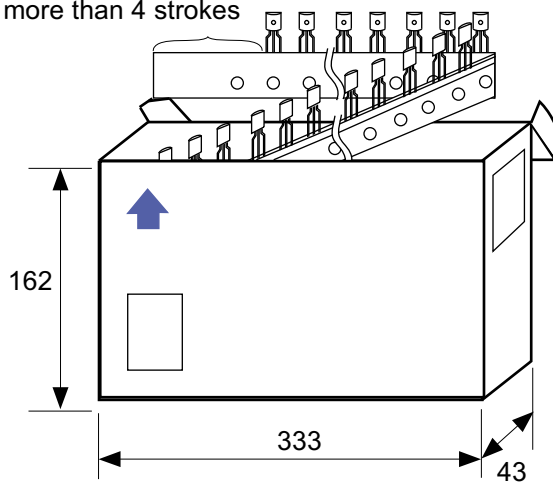
The information herein is subject to change without notice.



Side spacer placed in front side

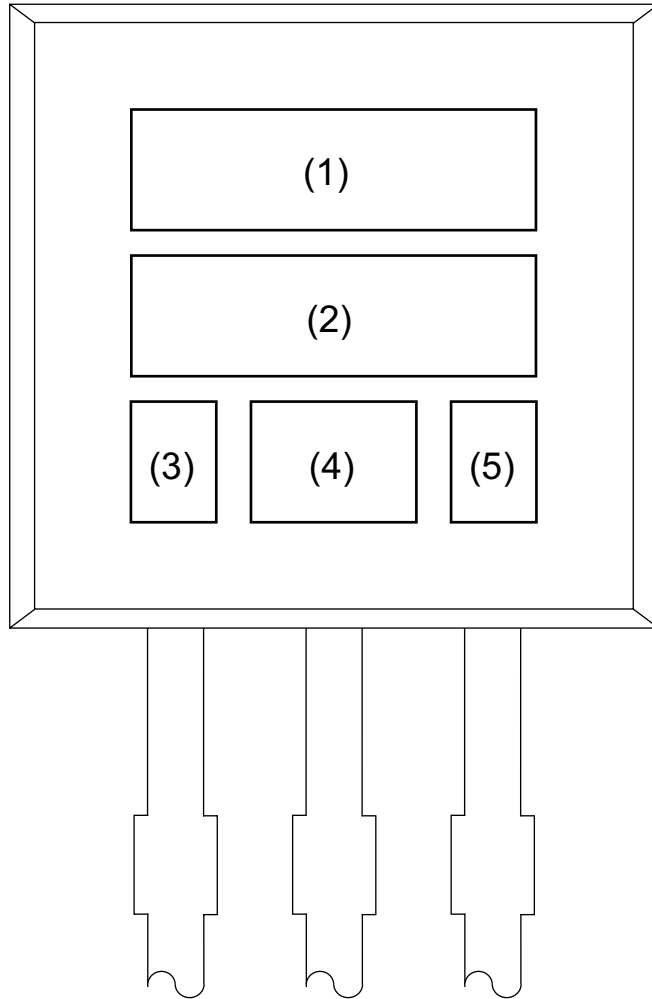


Space more than 4 strokes



No. YZ003-E-Z-SD-2.0

TITLE	TO92-E-Ammo Packing		
No.	YZ003-E-Z-SD-2.0		
ANGLE		QTY.	2,000
UNIT	mm		
ABLIC Inc.			



- (1) , (2) : Product code
- (3) : Year of assembly
- (4) : Month and week of assembly
- (5) : Lot No. code

No. YS003-D-M-SD-1.0

TITLE	TO92-E-Markings		
No.	YS003-D-M-SD-1.0		
ANGLE			
UNIT		TYPE	LASER
ABLIC Inc.			