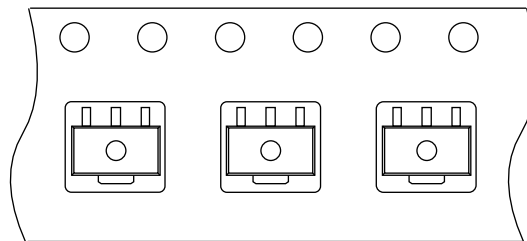
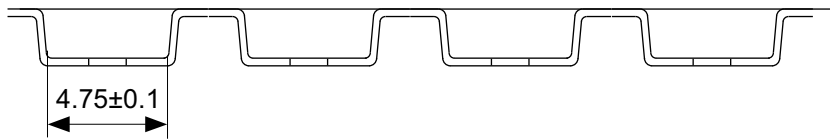
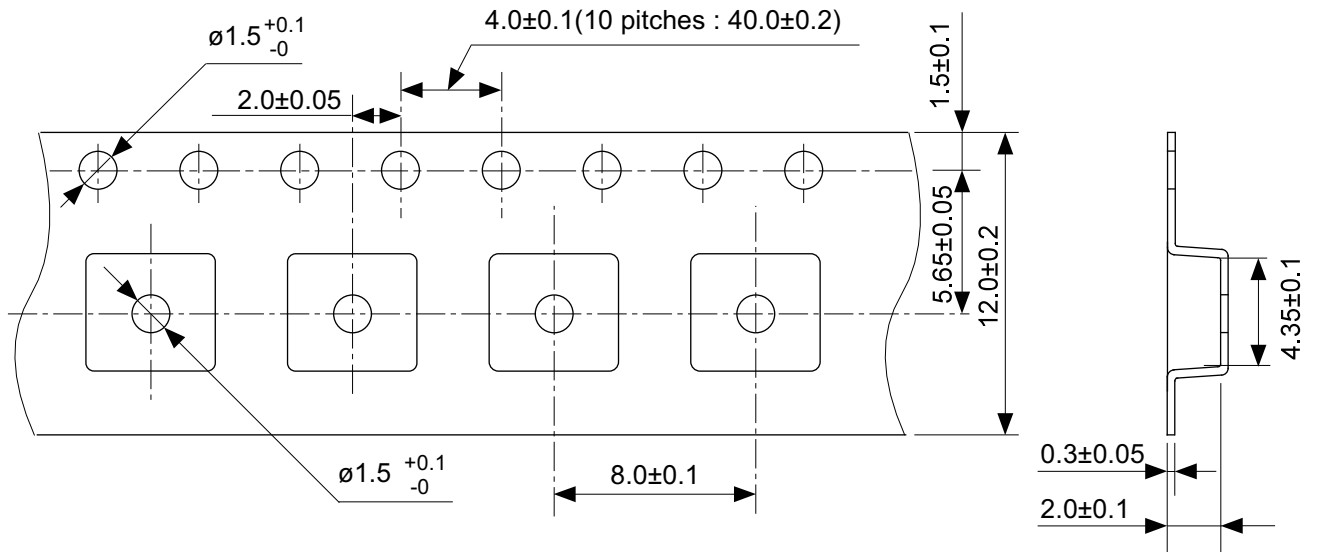


No. UP003-A-P-SD-2.0

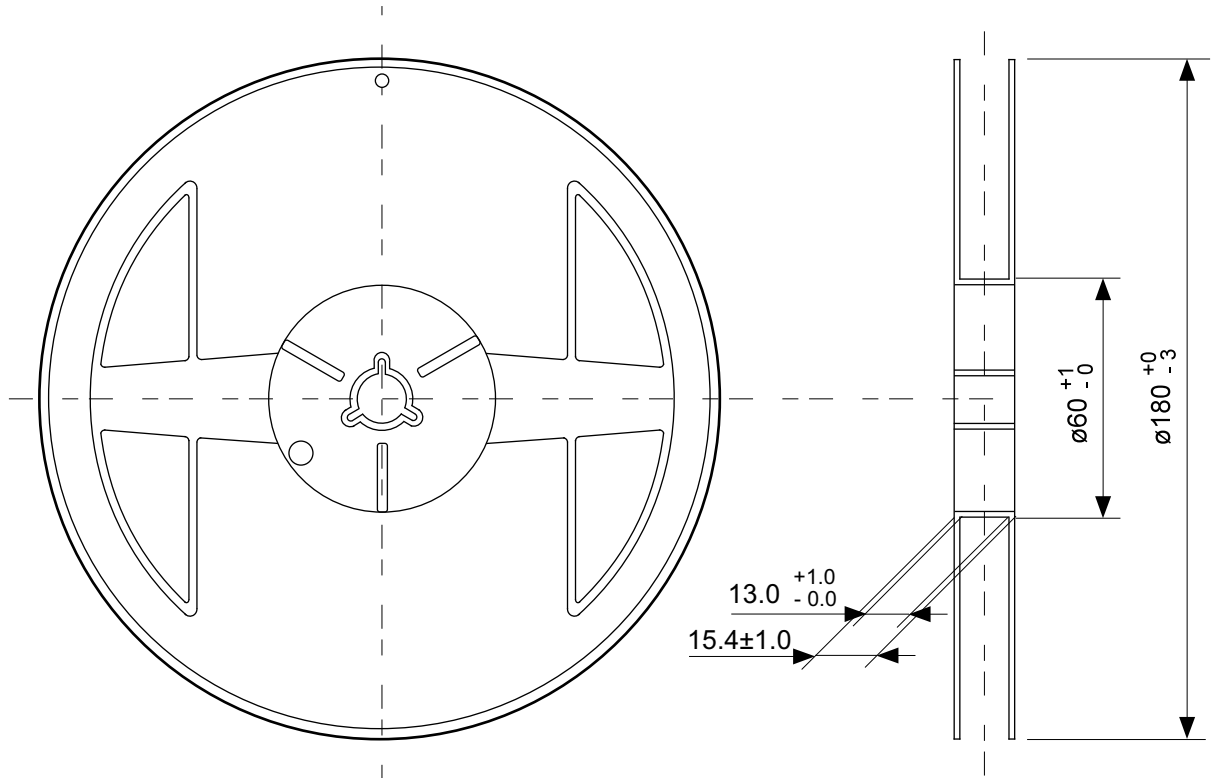
TITLE	SOT893-A-PKG Dimensions
No.	UP003-A-P-SD-2.0
ANGLE	
UNIT	mm
<b>ABLIC Inc.</b>	



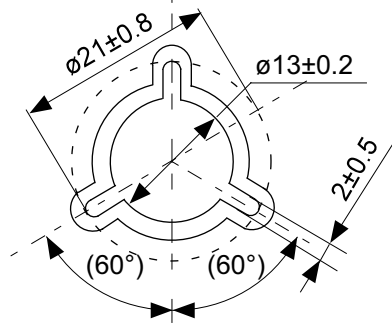
Feed direction →

No. UP003-A-C-SD-2.0

TITLE	SOT893-A-Carrier Tape
No.	UP003-A-C-SD-2.0
ANGLE	
UNIT	mm
<b>ABLIC Inc.</b>	



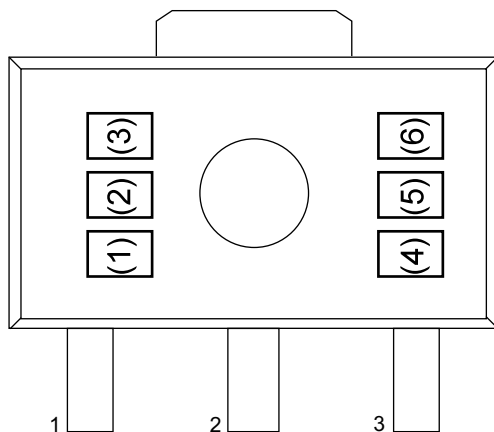
Enlarged drawing in the central part



No. UP003-A-R-SD-2.0

TITLE	SOT893-A-Reel		
No.	UP003-A-R-SD-2.0		
ANGLE		QTY.	1,000
UNIT	mm		

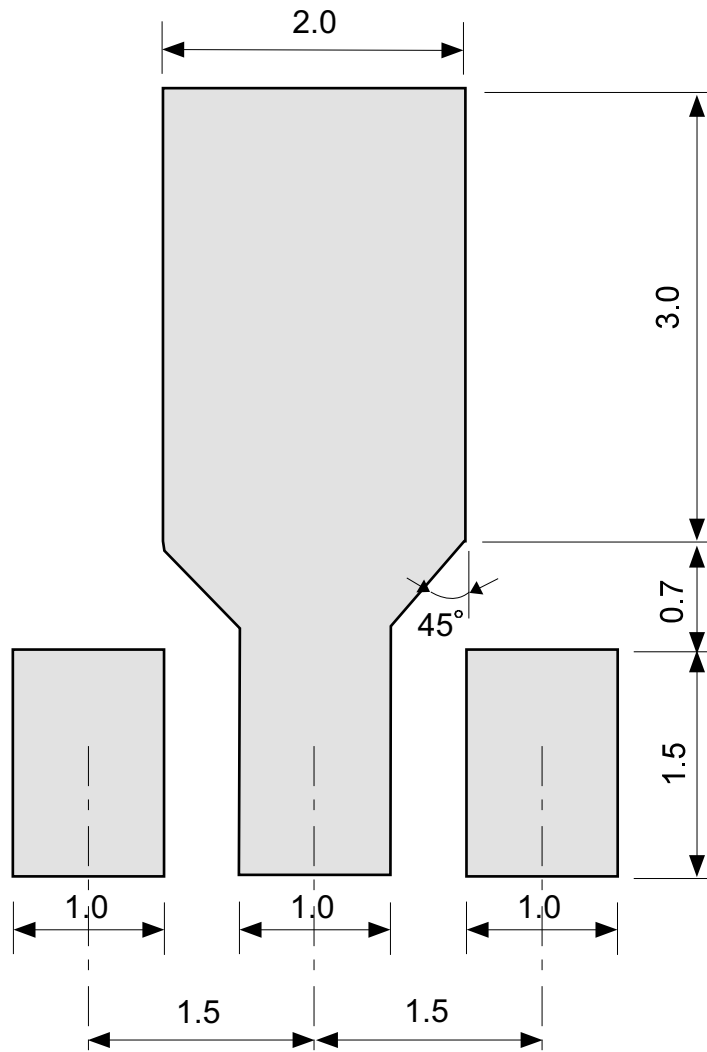
**ABLIC Inc.**



- (1) to (3) : Product code
- (4) : Year of assembly
- (5) : Month of assembly
- (6) : Week of assembly

No. UP003-A-M-S1-1.1

TITLE	SOT893-A-Markings		
No.	UP003-A-M-S1-1.1		
ANGLE			
UNIT		TYPE	LASER
<b>ABLIC Inc.</b>			



No. UP003-A-L-S1-1.0

TITLE	SOT893-A -Land Recommendation
No.	UP003-A-L-S1-1.0
ANGLE	
UNIT	mm
<b>ABLIC Inc.</b>	