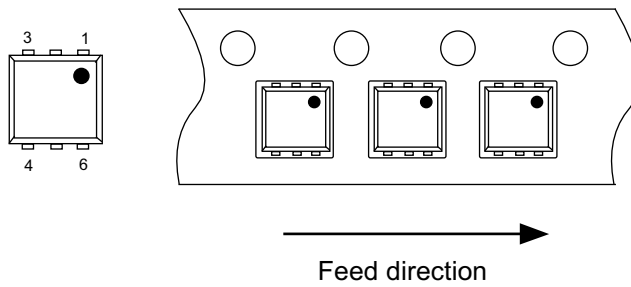
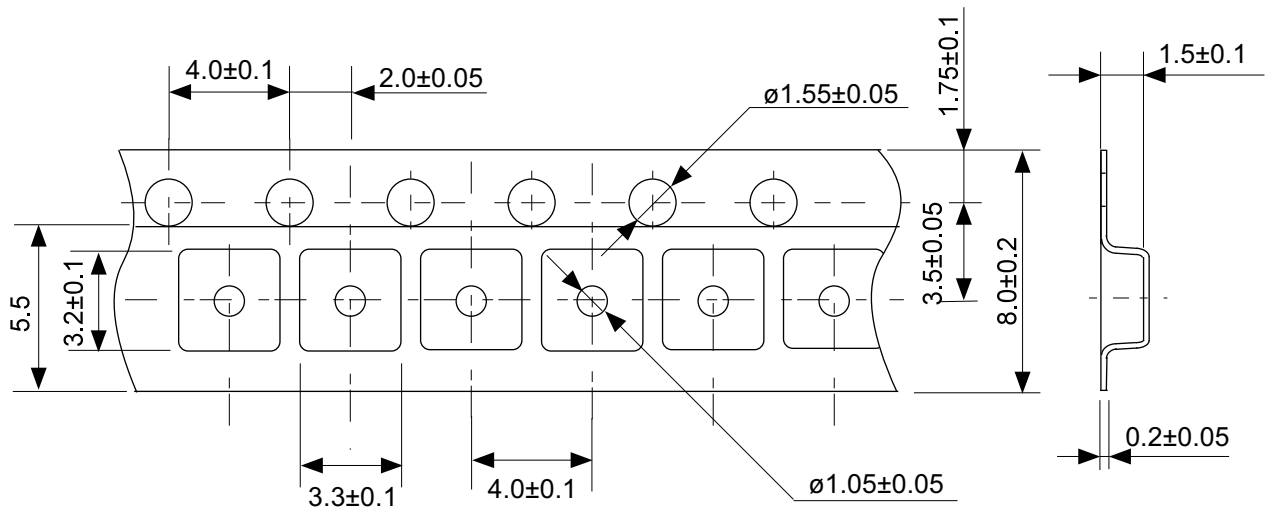


※ The exposed thermal die pad has different electric potential depending on the product. Confirm specifications of each product. Do not use it as the function of electrode.

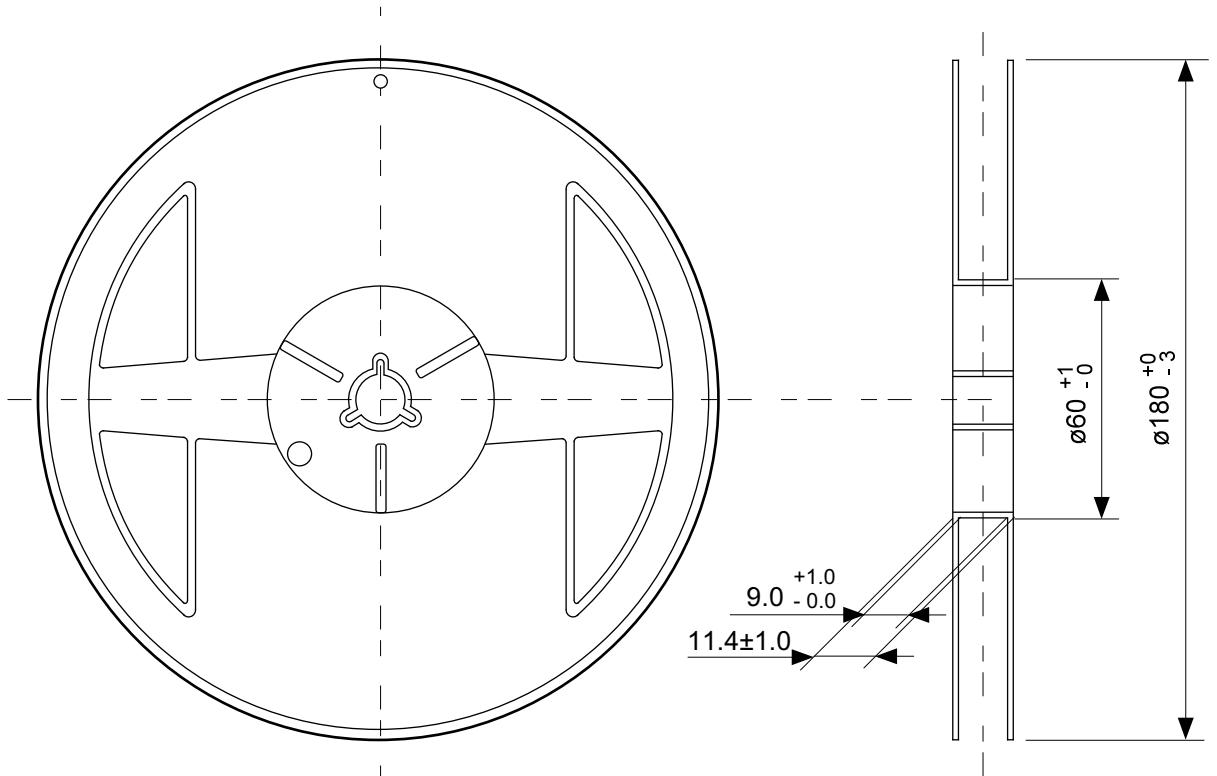
No. PD006-A-P-SD-5.0

TITLE	HS0N6A-A-PKG Dimensions
No.	PD006-A-P-SD-5.0
ANGLE	
UNIT	mm
ABLIC Inc.	

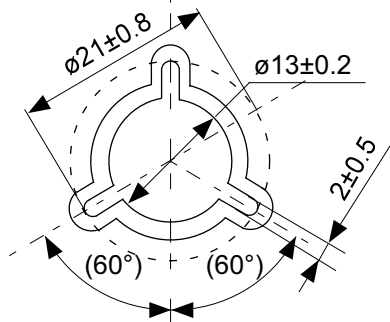


No. PD006-A-C-SD-2.0

TITLE	HS0N6A-A-Carrier Tape
No.	PD006-A-C-SD-2.0
ANGLE	
UNIT	mm
ABLIC Inc.	

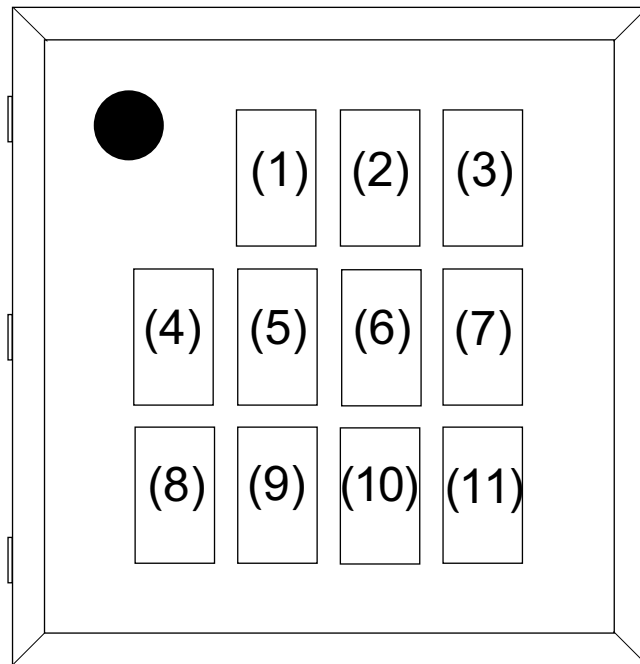


Enlarged drawing in the central part



No. PD006-A-R-SD-2.0

TITLE	HS0N6A-A-Reel		
No.	PD006-A-R-SD-2.0		
ANGLE		QTY.	3,000
UNIT	mm		
ABLIC Inc.			



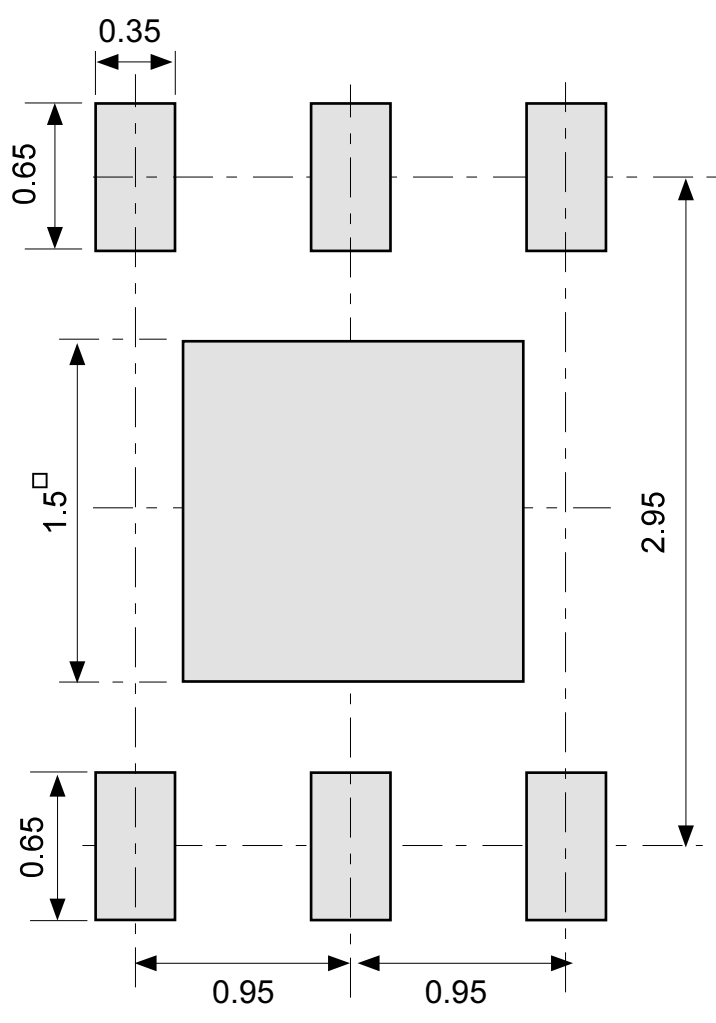
(1) to (3) : Product code

(4) to (11) : Lot No.

● : 1#Pin discrimination mark

No. PD006-A-M-SD-1.0

TITLE	HSO6A-A-Markings
No.	PD006-A-M-SD-1.0
ANGLE	
UNIT	
ABLIC Inc.	



No. PD006-A-L-SD-2.0

TITLE	HSON6A-A -Land Recommendation
No.	PD006-A-L-SD-2.0
ANGLE	
UNIT	mm
ABLIC Inc.	