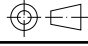
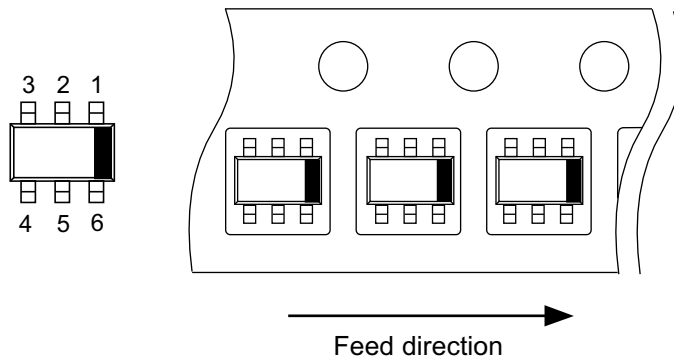
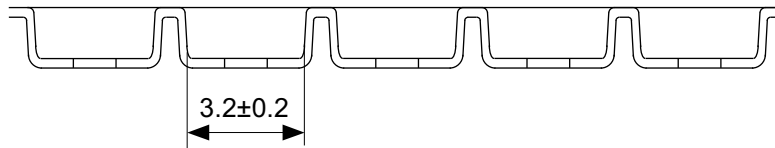
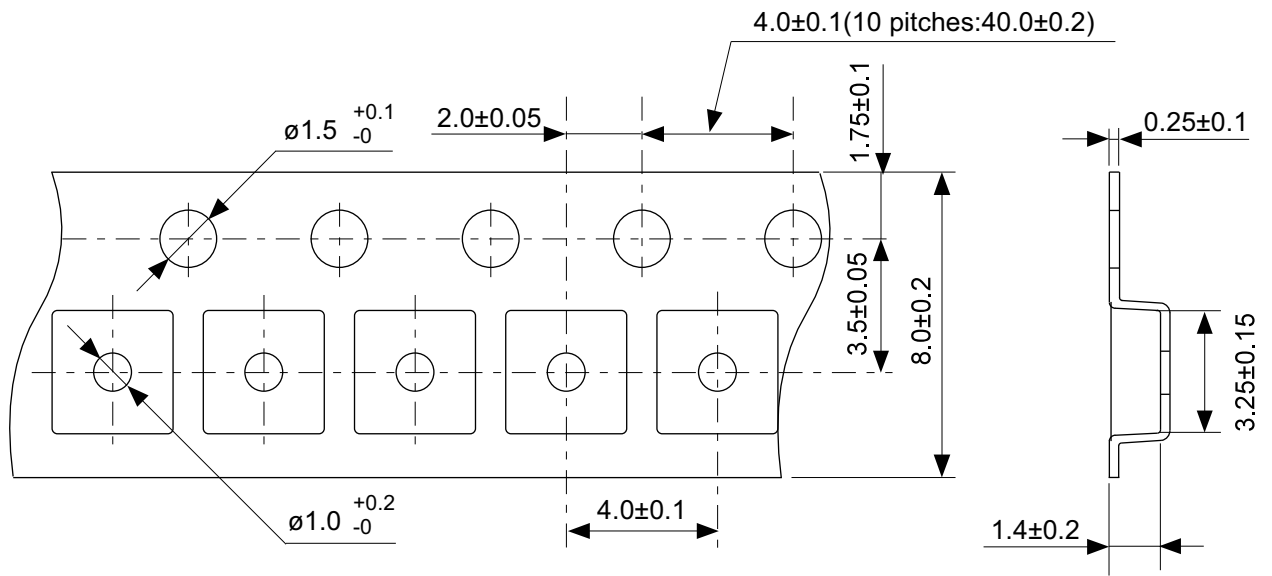


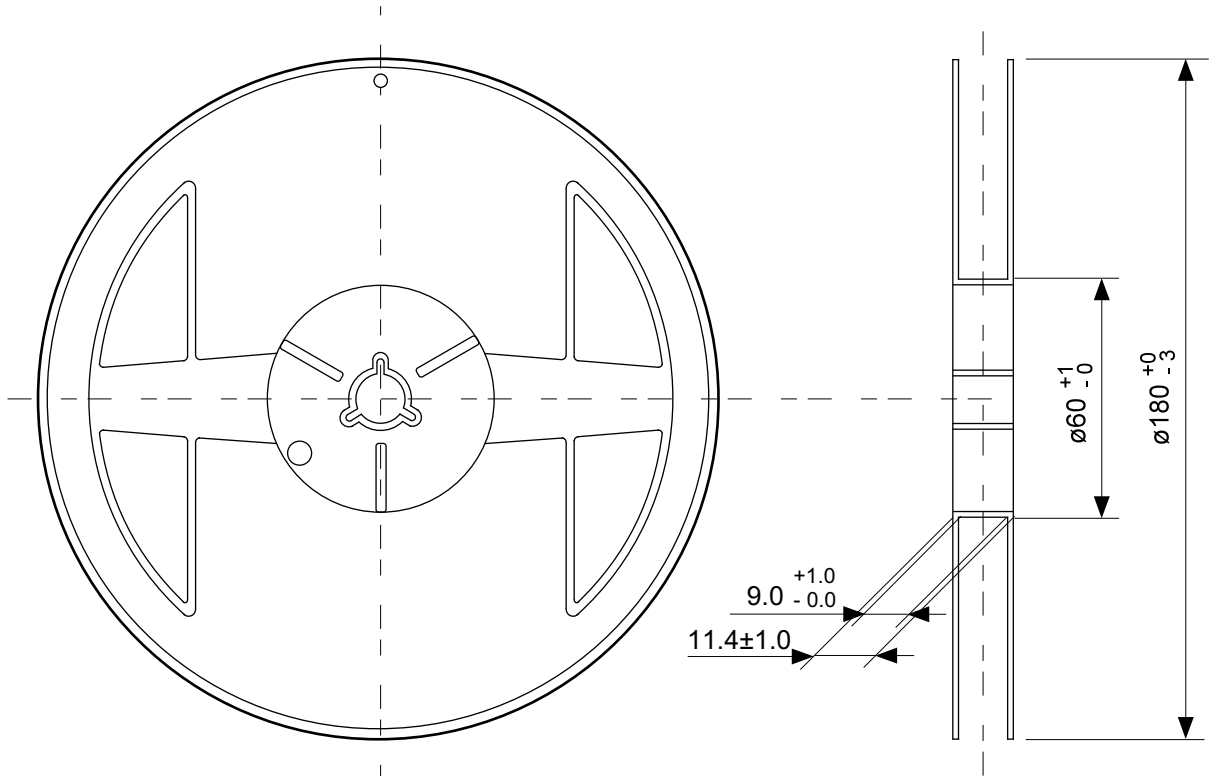
No. MP006-B-P-SD-2.1

TITLE	SOT236-B-PKG Dimensions
No.	MP006-B-P-SD-2.1
ANGLE	
UNIT	mm
ABLIC Inc.	

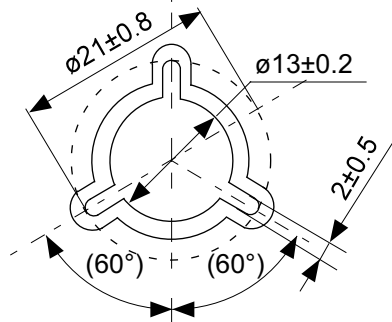


No. MP006-B-C-SD-1.0

TITLE	SOT236-B-Carrier Tape
No.	MP006-B-C-SD-1.0
ANGLE	
UNIT	mm
ABLIC Inc.	

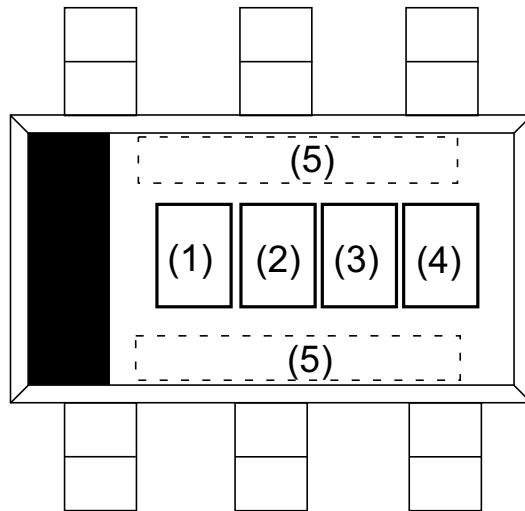


Enlarged drawing in the central part



No. MP006-B-R-SD-2.0

TITLE	SOT236-B-Reel		
No.	MP006-B-R-SD-2.0		
ANGLE		QTY	3,000
UNIT	mm		
ABLIC Inc.			



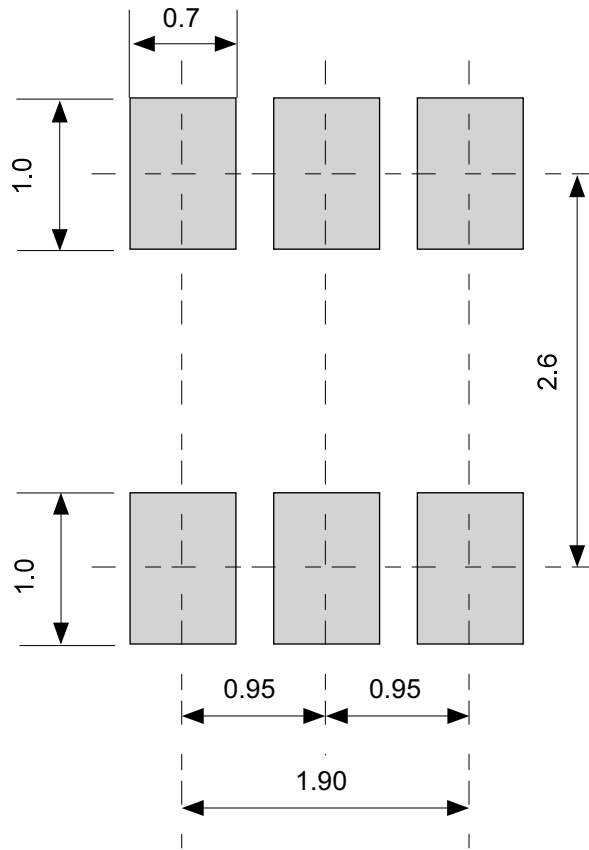
(1) to (3) : Product code

(4) : Month of assembly

(5) : Dot on one side (Year and week of assembly)

No. MP006-B-M-SD-1.0

TITLE	SOT236-B-Markings		
No.	MP006-B-M-SD-1.0		
ANGLE			
UNIT		TYPE	LASER
ABLIC Inc.			



No. MP006-B-L-SD-1.0

TITLE	SOT236-B -Land Recommendation
No.	MP006-B-L-SD-1.0
ANGLE	
UNIT	mm
ABLIC Inc.	