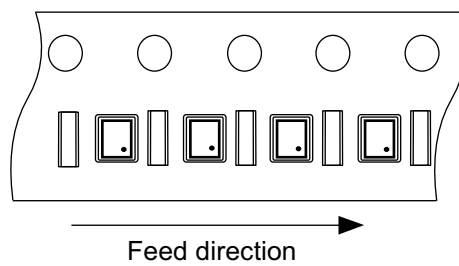
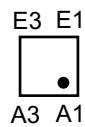
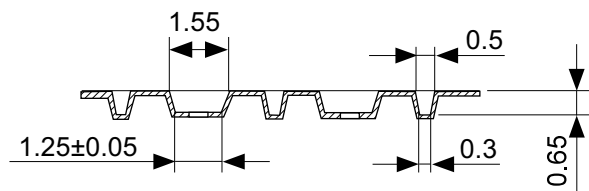
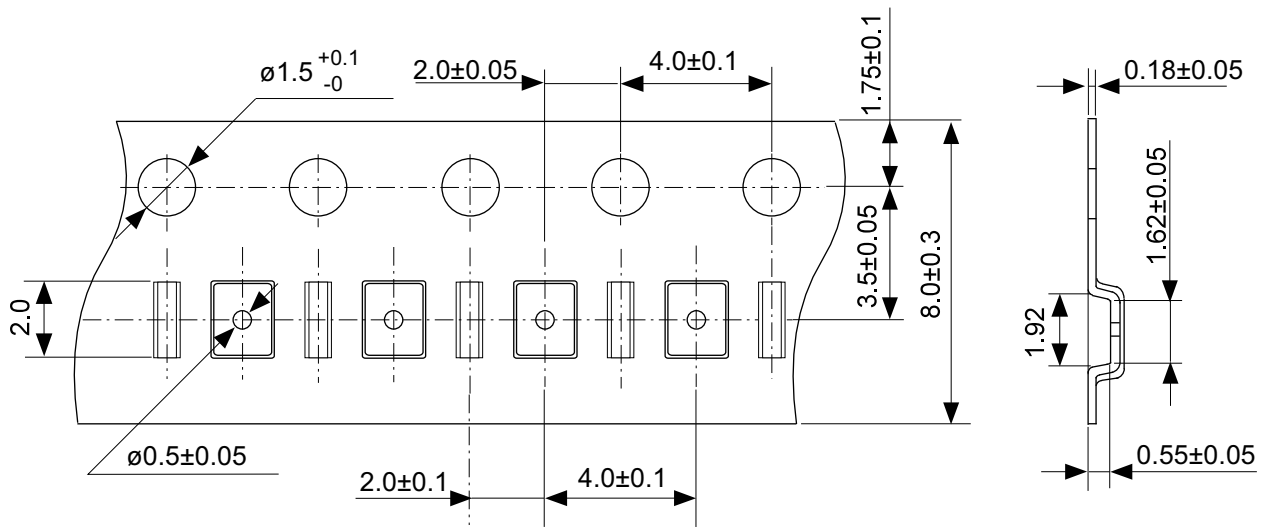


Pin No.	Symbol
A1	\overline{CS}
A3	GND
B2	\overline{WP}
C1	SO
C3	SCK
D2	\overline{HOLD}
E1	VCC
E3	SI

No. HJ008-A-P-SD-2.0

TITLE	WLP-8J-A-PKG Dimensions (S-25C160A)
No.	HJ008-A-P-SD-2.0
ANGLE	
UNIT	mm

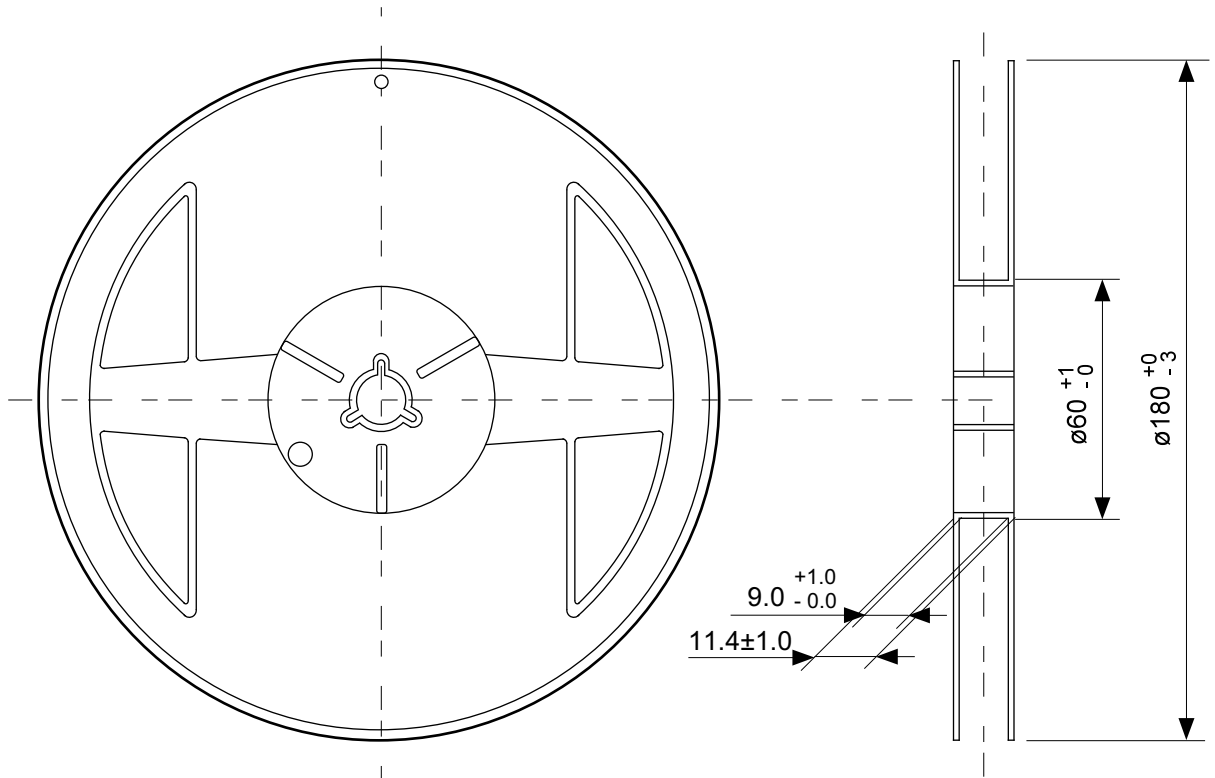
ABLIC Inc.



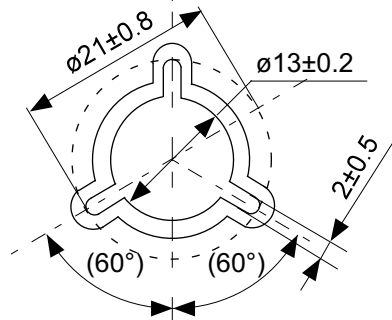
No. HJ008-A-C-SD-1.0

TITLE	WLP-8J-A-Carrier Tape (S-25C160A)
No.	HJ008-A-C-SD-1.0
ANGLE	
UNIT	mm

ABLIC Inc.

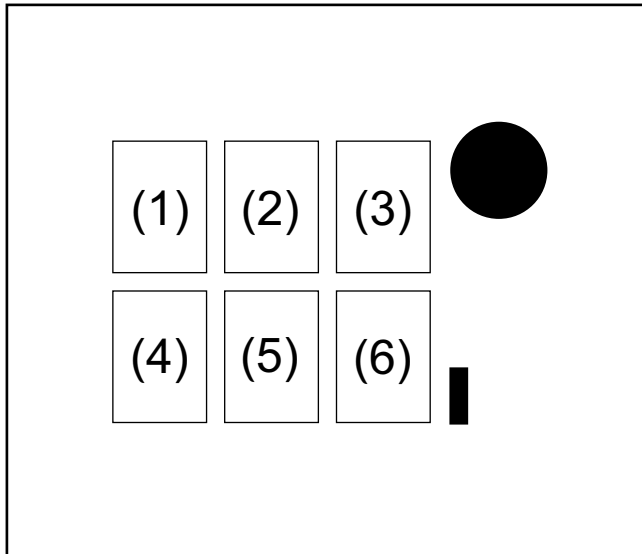


Enlarged drawing in the central part



No. HJ008-A-R-SD-2.0

TITLE	WLP-8J-A-Reel (S-25C160A)		
No.	HJ008-A-R-SD-2.0		
ANGLE		QTY.	3,000
UNIT	mm		
ABLIC Inc.			



(1) , (2) : Product code

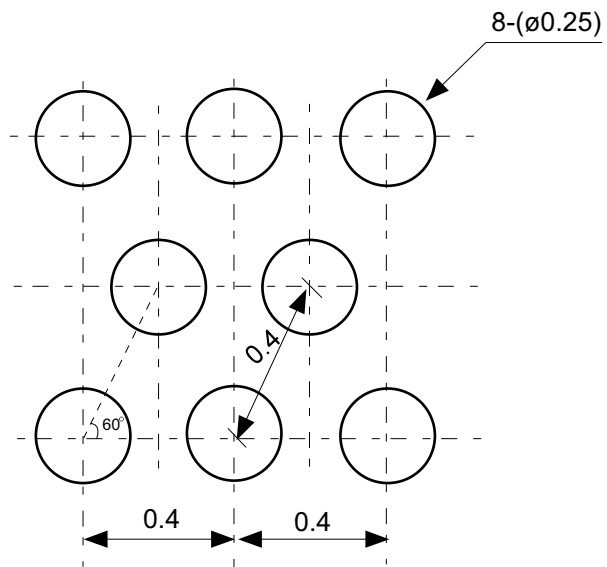
(3) to (6) : Lot code

● : A1 Pin mark

■ : Mark that distinguishes PKG thickness.

No. HJ008-A-M-SD-1.0

TITLE	WLP-8J-A-Markings (S-25C160A)		
No.	HJ008-A-M-SD-1.0		
ANGLE			
UNIT		TYPE	LASER
ABLIC Inc.			



No. HJ008-A-L-SD-1.0

TITLE	WLP-8J-A-Land Recommendation (S-25C160A)
No.	HJ008-A-L-SD-1.0
ANGLE	
UNIT	mm
ABLIC Inc.	