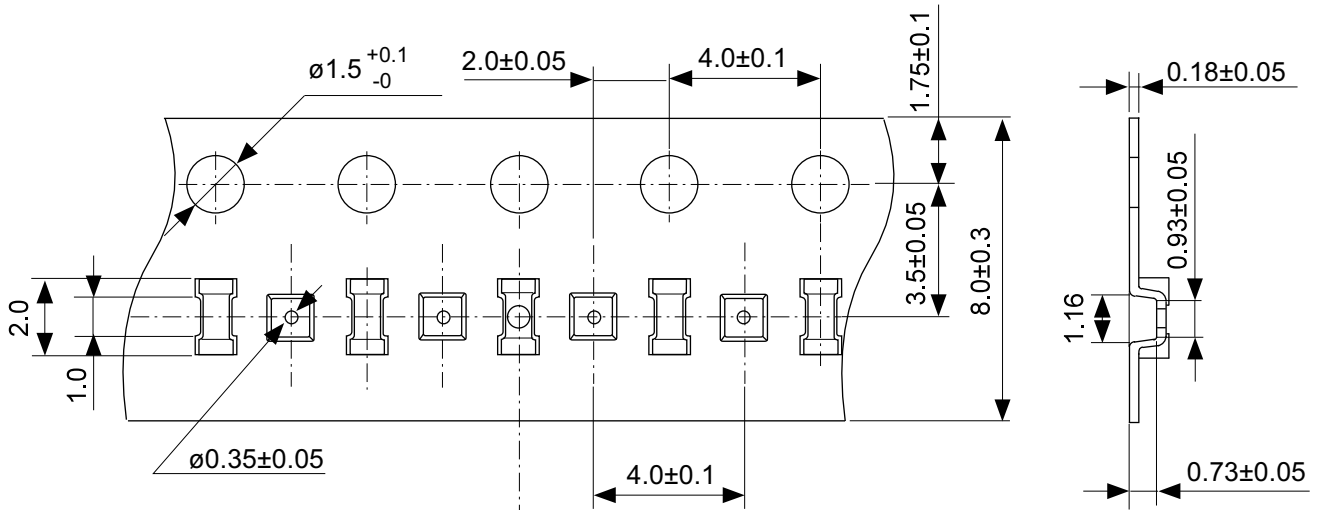


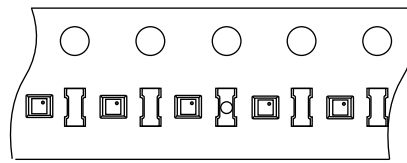
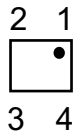
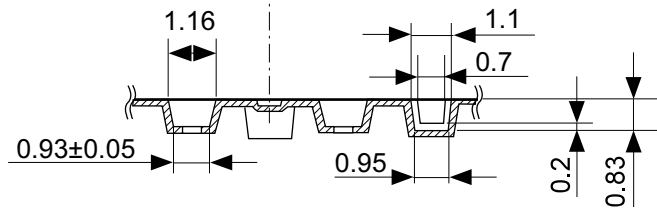
Pin No.	Symbol
1	VDD
2	VSS
3	VSS
4	VOU

No. HB004-C-P-SD-2.0

TITLE	WLP-4B-C-PKG Dimensions (S-58LM20A)
No.	HB004-C-P-SD-2.0
ANGLE	
UNIT	mm
<b>ABLIC Inc.</b>	



Count mark (R0.3, Depth 0.2)  
(Every 10 pockets)

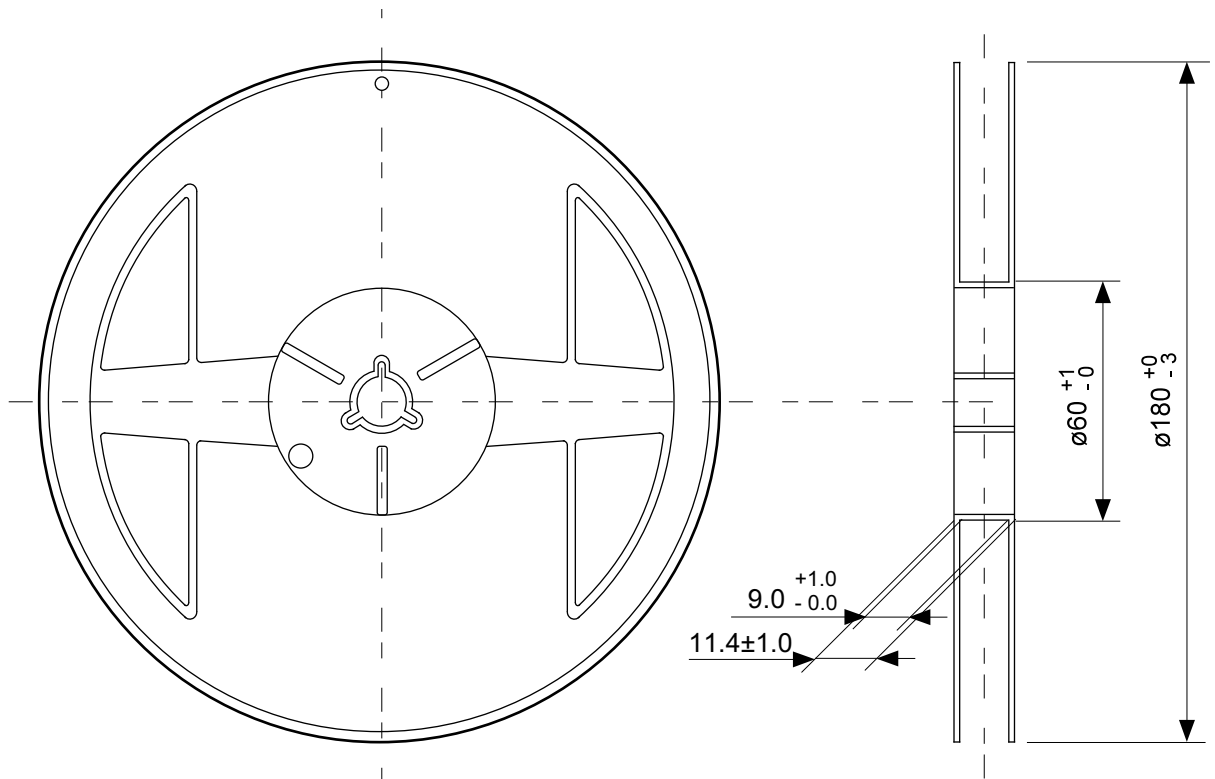


Feed direction

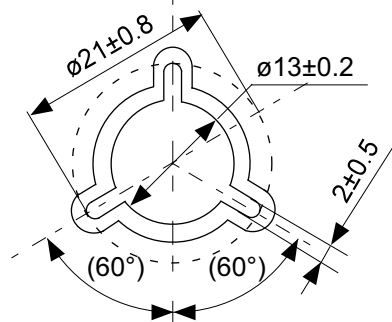
No. HB004-C-C-SD-1.1

TITLE	WLP-4B-C-Carrier Tape (S-58LM20A)
No.	HB004-C-C-SD-1.1
ANGLE	
UNIT	mm

ABLIC Inc.

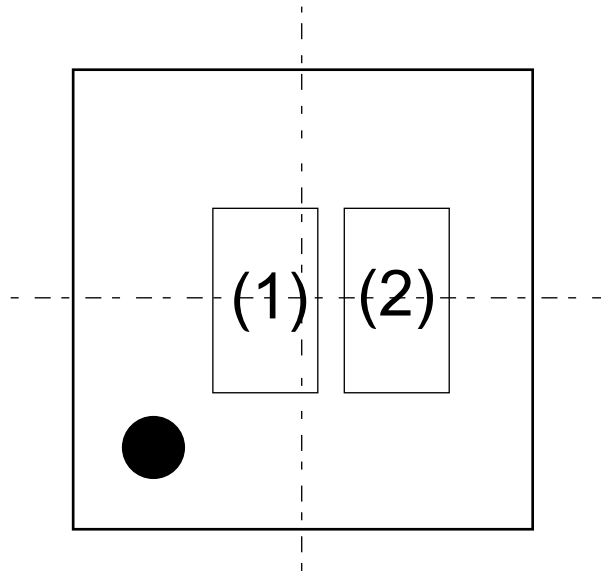


Enlarged drawing in the central part



No. HB004-C-R-SD-2.0

TITLE	WLP-4B-C-Reel (S-58LM20A)		
No.	HB004-C-R-SD-2.0		
ANGLE		QTY.	3,000
UNIT	mm		
<b>ABLIC Inc.</b>			

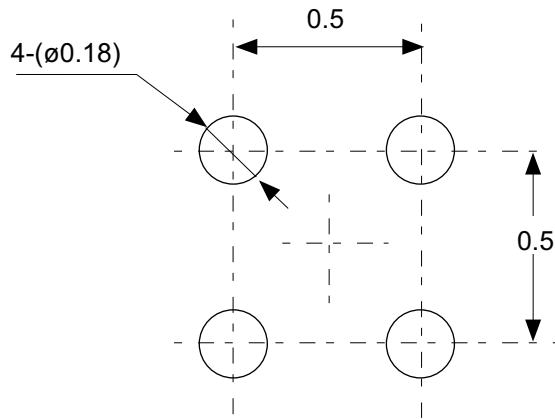


(1) to (2) : Lot code

● : 1 Pin mark

No. HB004-C-M-SD-2.0

TITLE	WLP-4B-C-Markings (S-58LM20A)
No.	HB004-C-M-SD-2.0
ANGLE	
UNIT	
<b>ABLIC Inc.</b>	



No. HB004-C-L-SD-1.0

TITLE	WLP-4B-C-Land Recommendation (S-58LM20A)
No.	HB004-C-L-SD-1.0
ANGLE	
UNIT	mm
<b>ABLIC Inc.</b>	