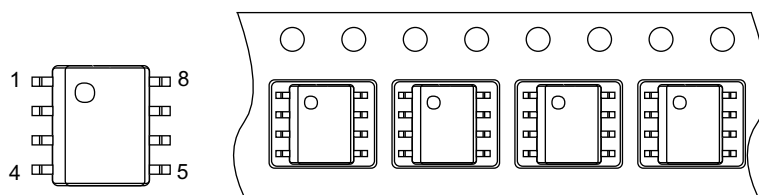
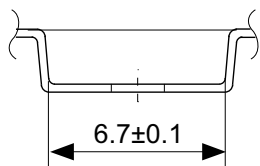
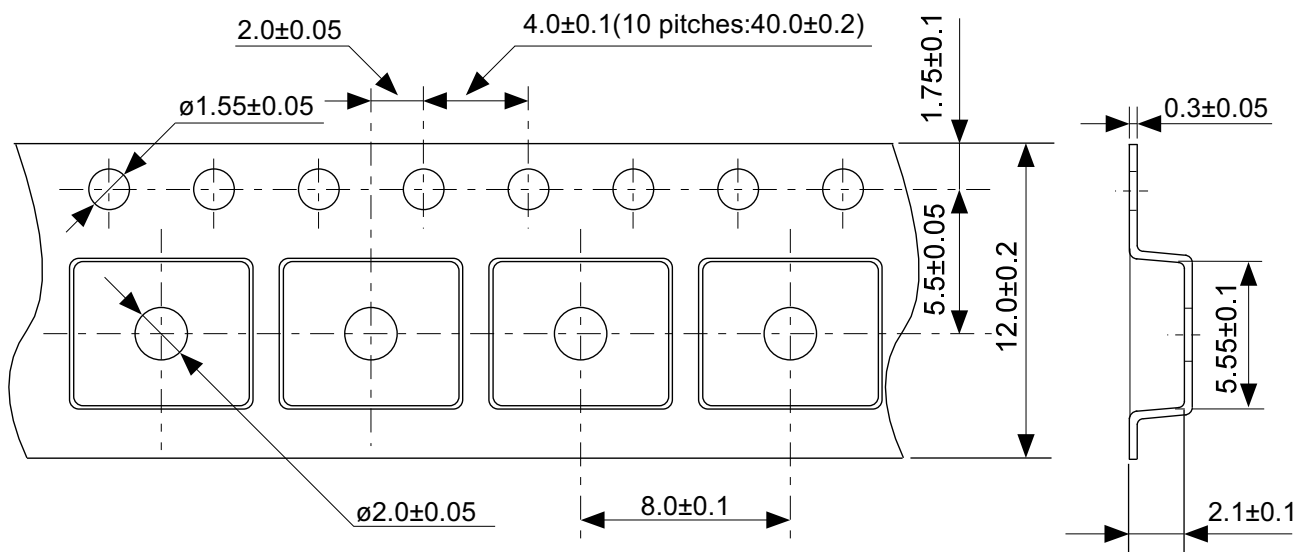


No. FJ008-A-P-SD-2.2

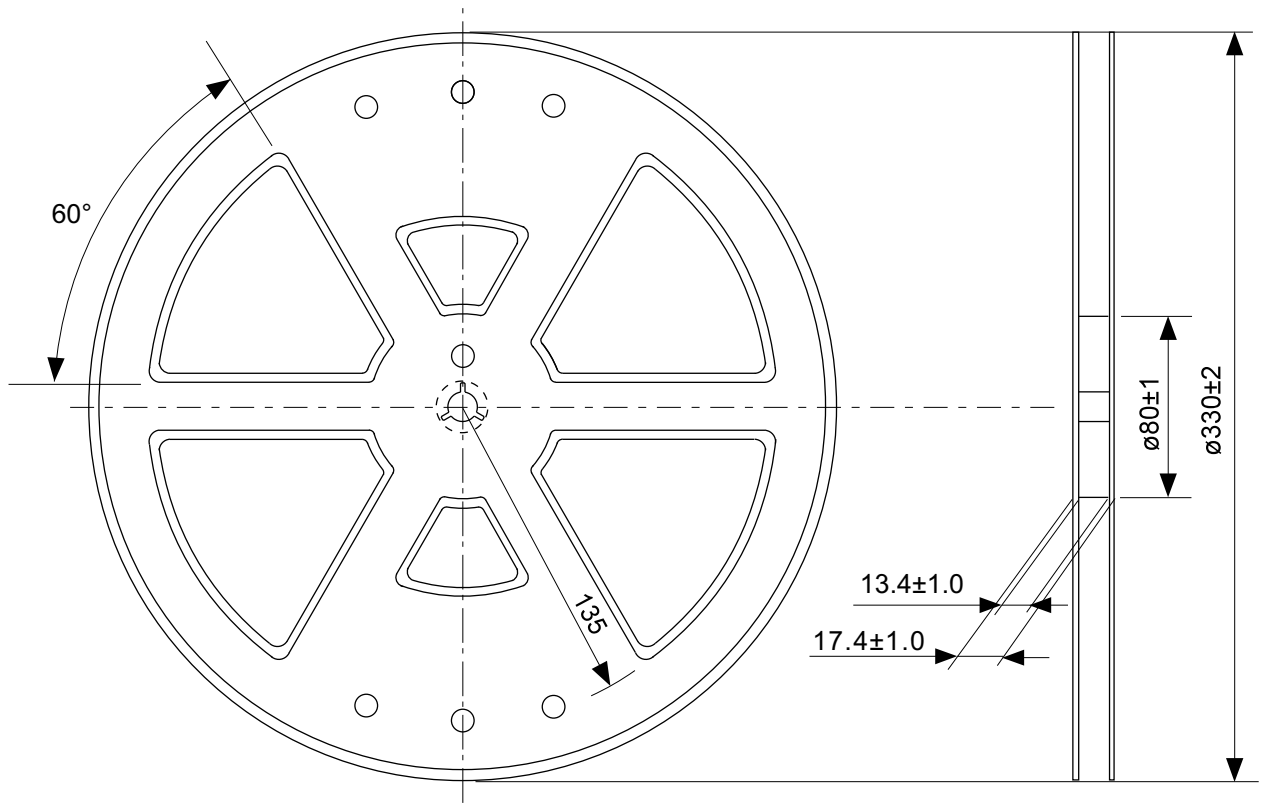
TITLE	SOP8J-D-PKG Dimensions
No.	FJ008-A-P-SD-2.2
ANGLE	
UNIT	mm
<b>ABLIC Inc.</b>	



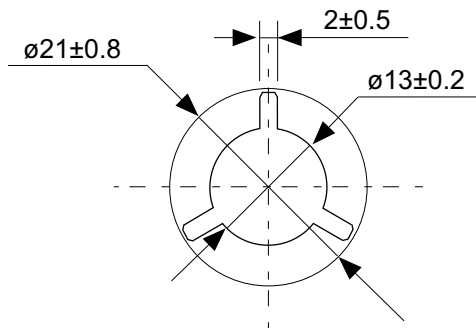
→  
Feed direction

No. FJ008-D-C-SD-1.1

TITLE	SOP8J-D-Carrier Tape
No.	FJ008-D-C-SD-1.1
ANGLE	
UNIT	mm
<b>ABLIC Inc.</b>	

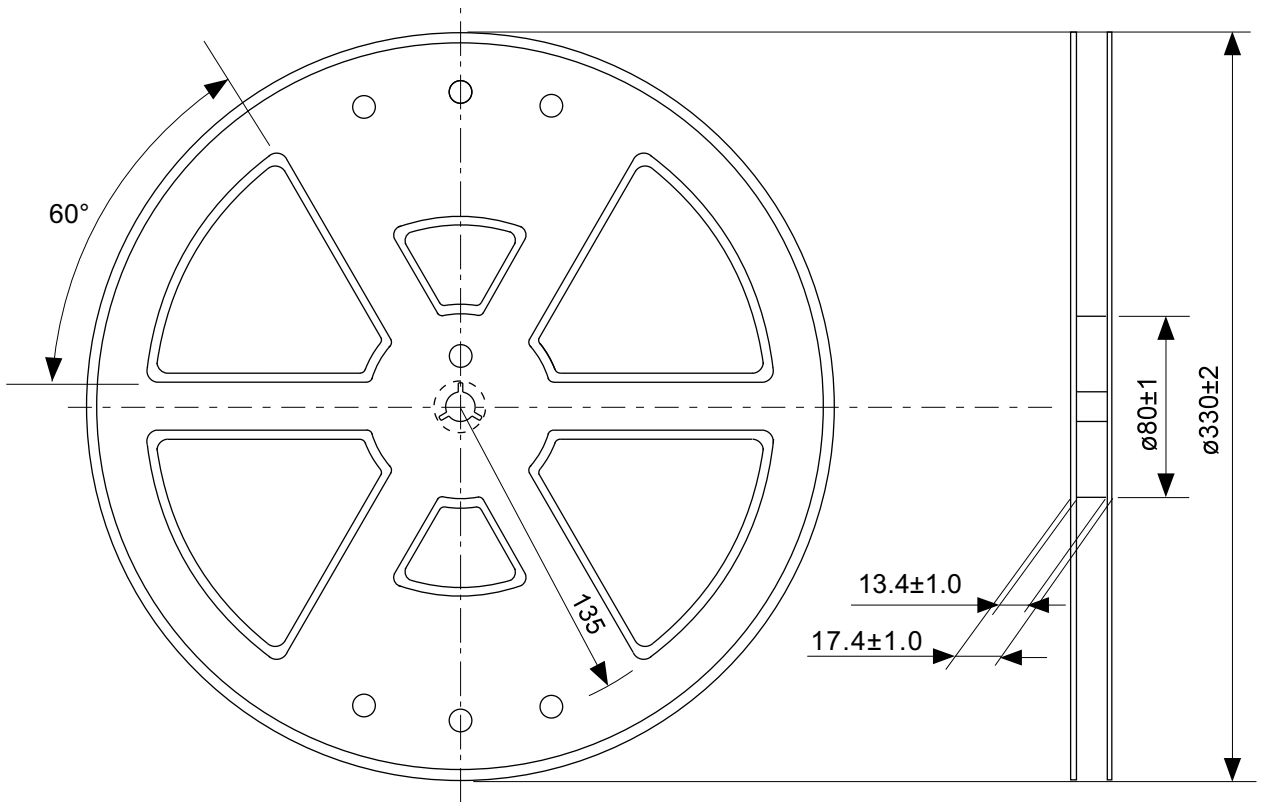


Enlarged drawing in the central part

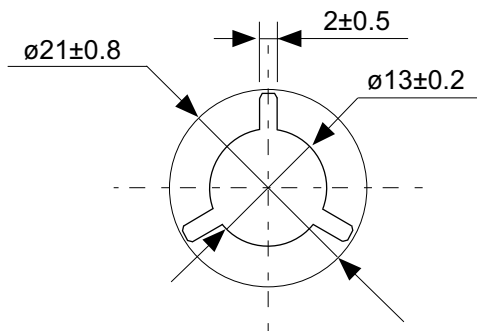


No. FJ008-D-R-SD-2.0

TITLE	SOP8J-D-Reel		
No.	FJ008-D-R-SD-2.0		
ANGLE		QTY.	2,000
UNIT	mm		
<b>ABLIC Inc.</b>			

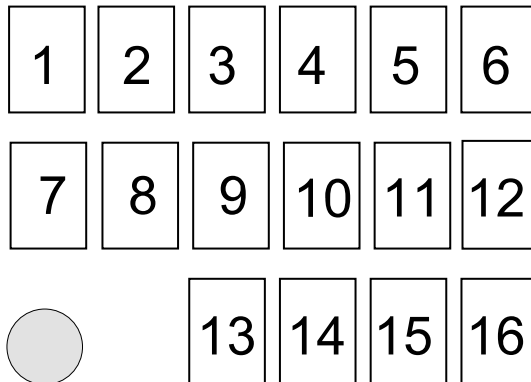


Enlarged drawing in the central part



No. FJ008-D-R-S1-2.0

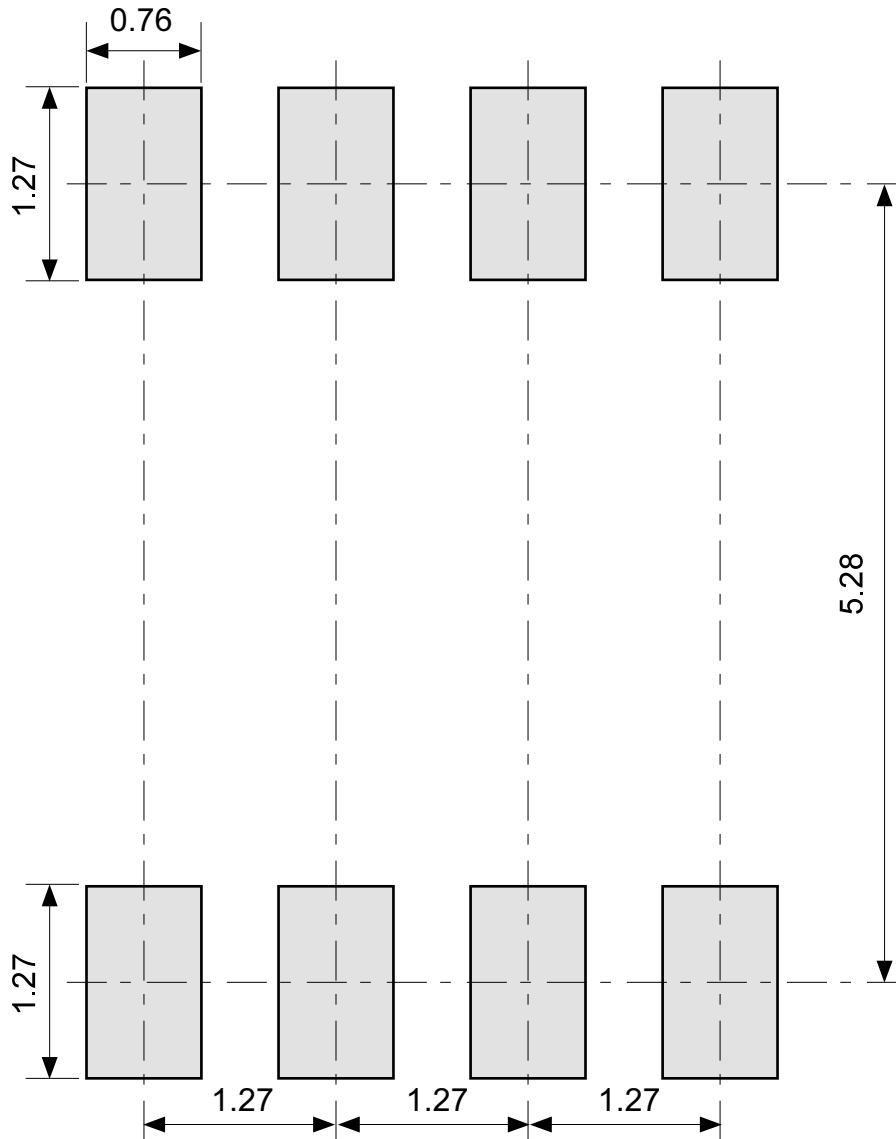
TITLE	SOP8J-D-Reel		
No.	FJ008-D-R-S1-2.0		
ANGLE		QTY.	4,000
UNIT	mm		
<b>ABLIC Inc.</b>			



- 1 to 9 : Product code
- 10 : Assembly code
- 11 : Year of assembly
- 12 : Month of assembly
- 13 to 16 : Lot No. code
- (1) : 1-pin mark

No. FJ008-A-M-SD-3.1

TITLE	SOP8J-D-Markings		
No.	FJ008-A-M-SD-3.1		
ANGLE			
UNIT		TYPE	LASER
<b>ABLIC Inc.</b>			



No. FJ008-A-L-SD-1.1

TITLE	SOP8J-D -Land Recommendation
No.	FJ008-A-L-SD-1.1
ANGLE	
UNIT	mm
<b>ABLIC Inc.</b>	