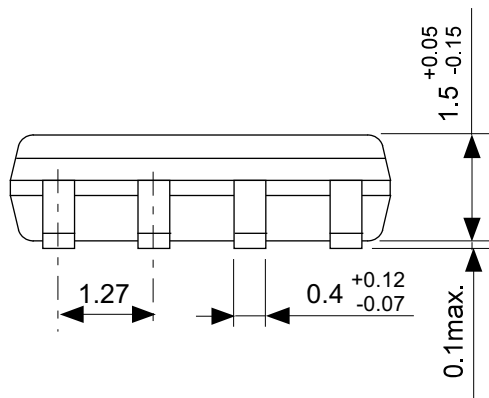
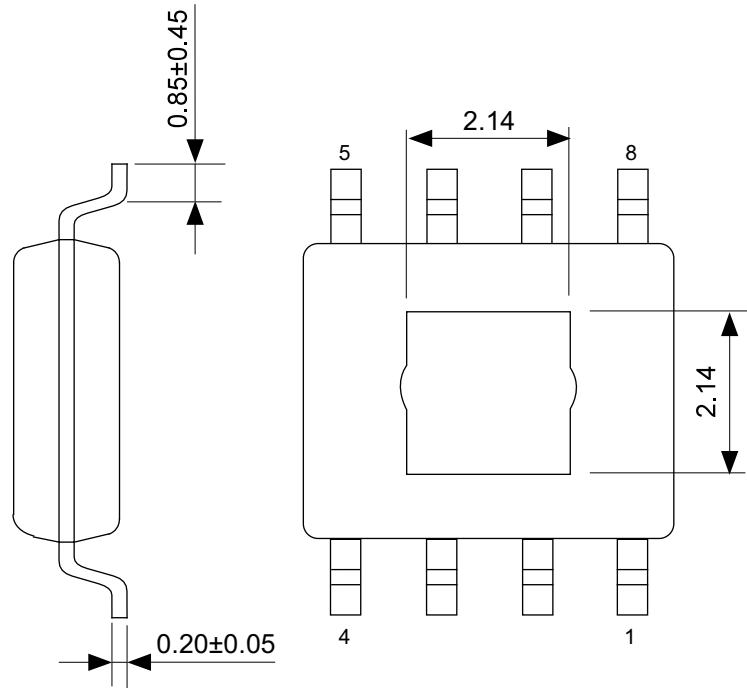
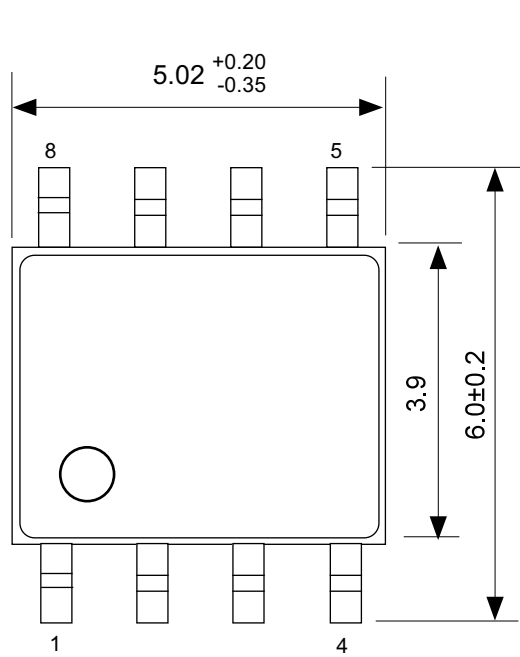


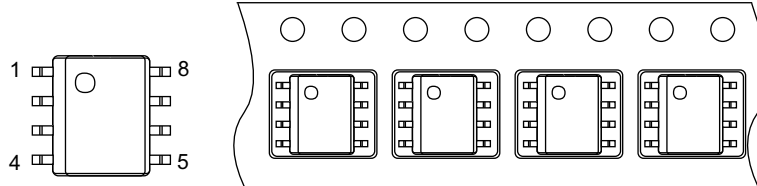
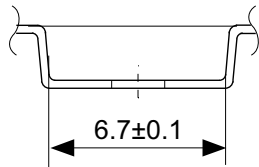
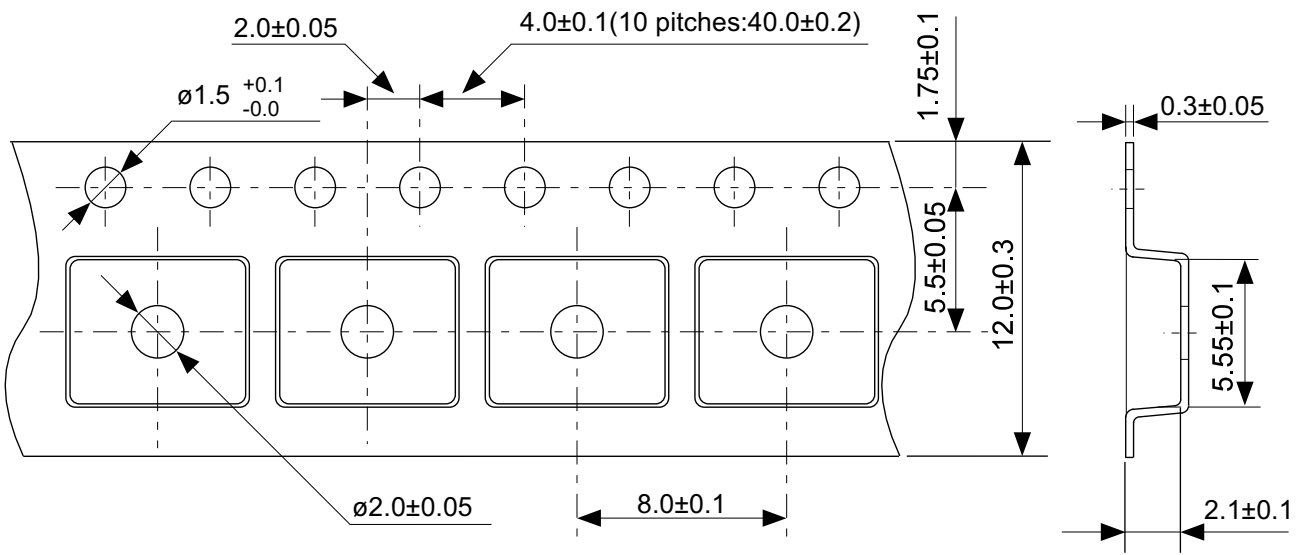
No. FH008-Z-P-SD-2.0

TITLE	HSOP8A-Z-PKG Dimensions
No.	FH008-Z-P-SD-2.0
ANGLE	
UNIT	mm
ABLIC Inc.	



No. FH008-Z-P-S1-2.0

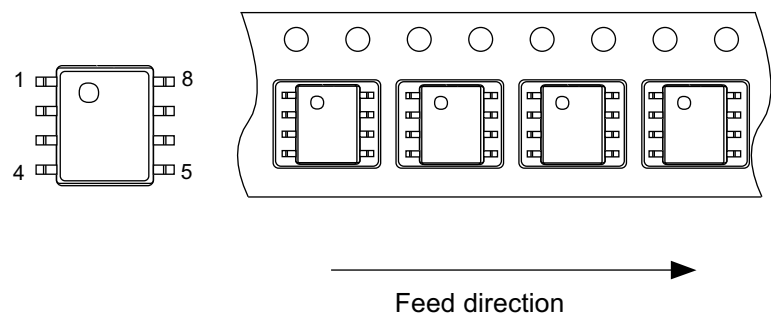
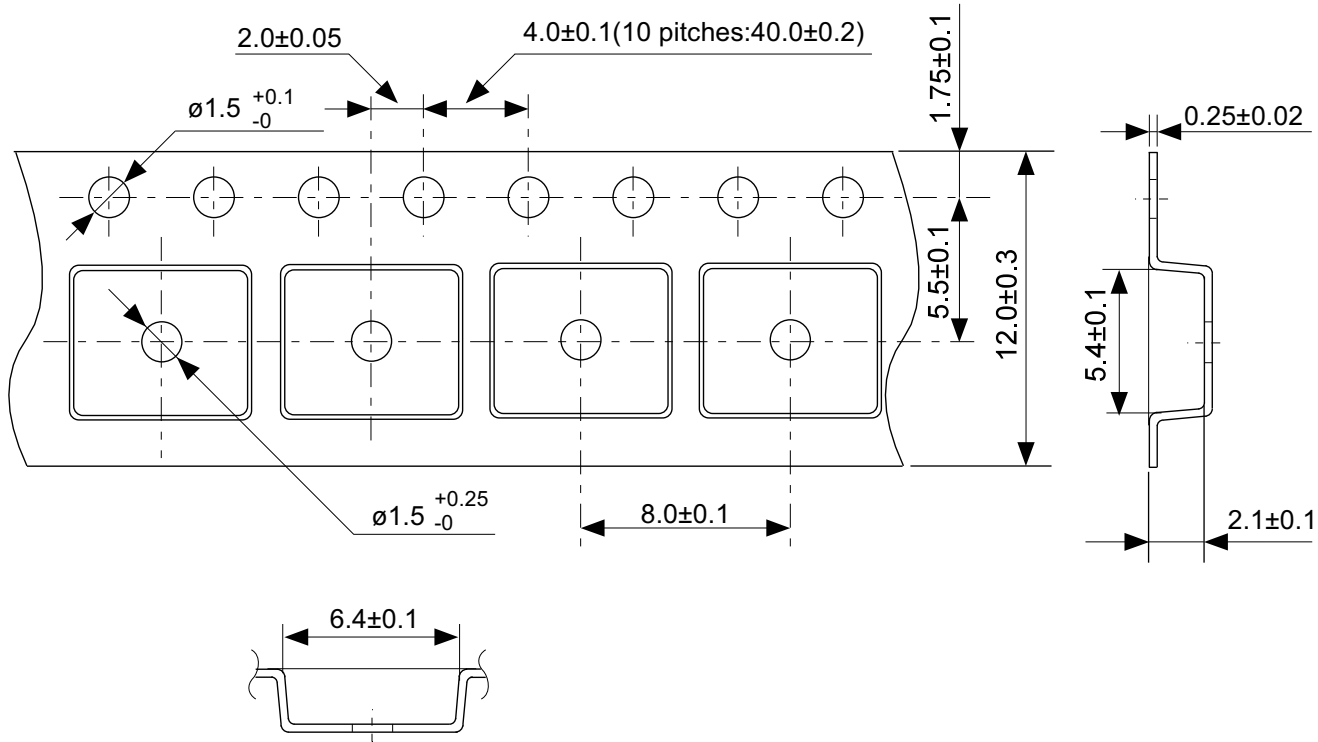
TITLE	HSOP8A-Z-PKG Dimensions
No.	FH008-Z-P-S1-2.0
ANGLE	
UNIT	mm
ABLIC Inc.	



→
Feed direction

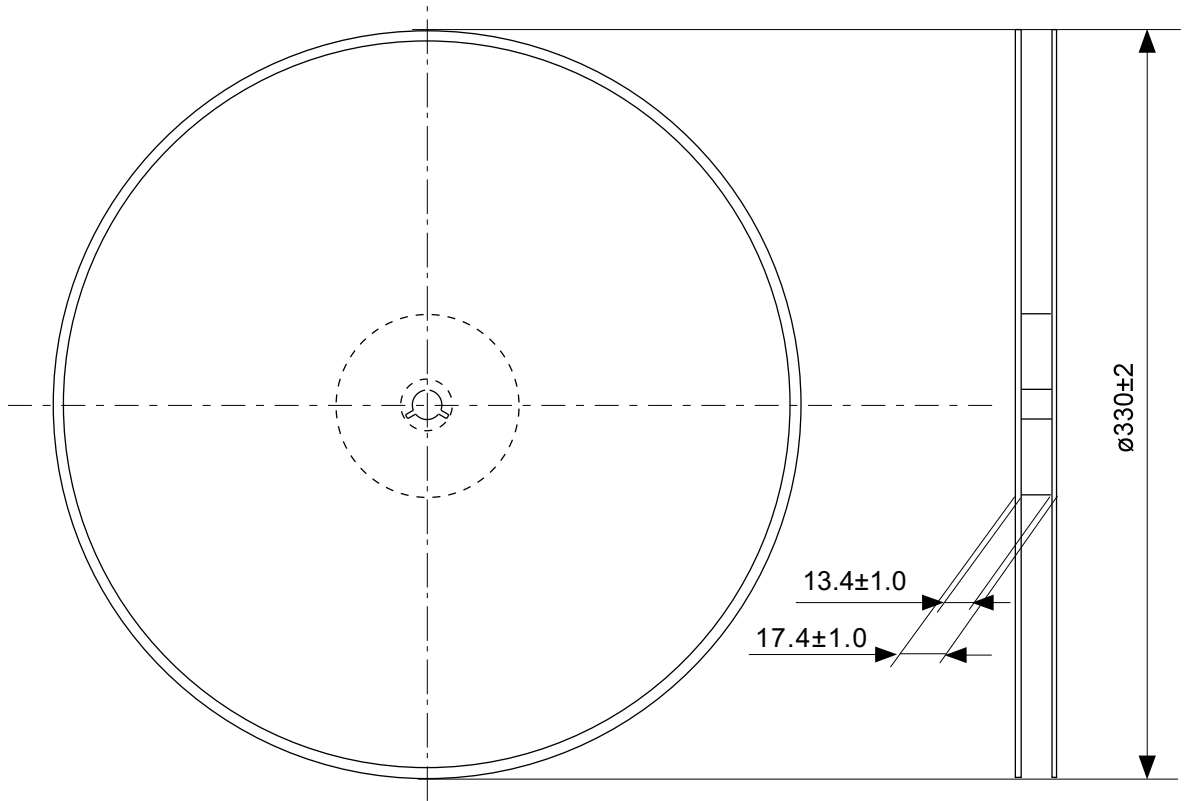
No. FH008-Z-C-SD-1.0

TITLE	HSOP8A-Z-Carrier Tape
No.	FH008-Z-C-SD-1.0
ANGLE	
UNIT	mm
ABLIC Inc.	

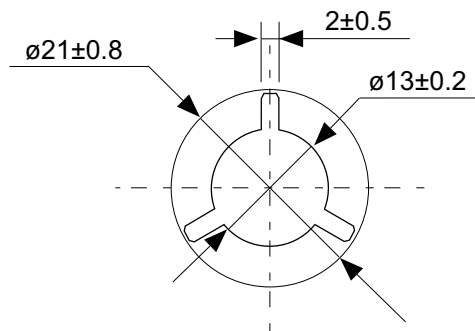


No. FH008-Z-C-S1-1.0

TITLE	HSOP8A-Z-Carrier Tape
No.	FH008-Z-C-S1-1.0
ANGLE	
UNIT	mm
ABLIC Inc.	

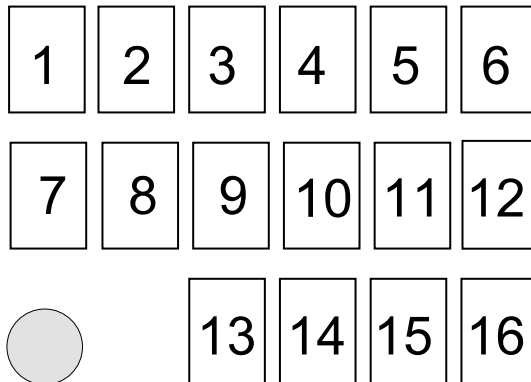


Enlarged drawing in the central part



No. FH008-Z-R-SD-1.1

TITLE	HSOP8A-Z-Reel		
No.	FH008-Z-R-SD-1.1		
ANGLE		QTY.	4,000
UNIT	mm		
ABLIC Inc.			



1 to 9 : Product code

10 : Assembly code

11 : Year of assembly

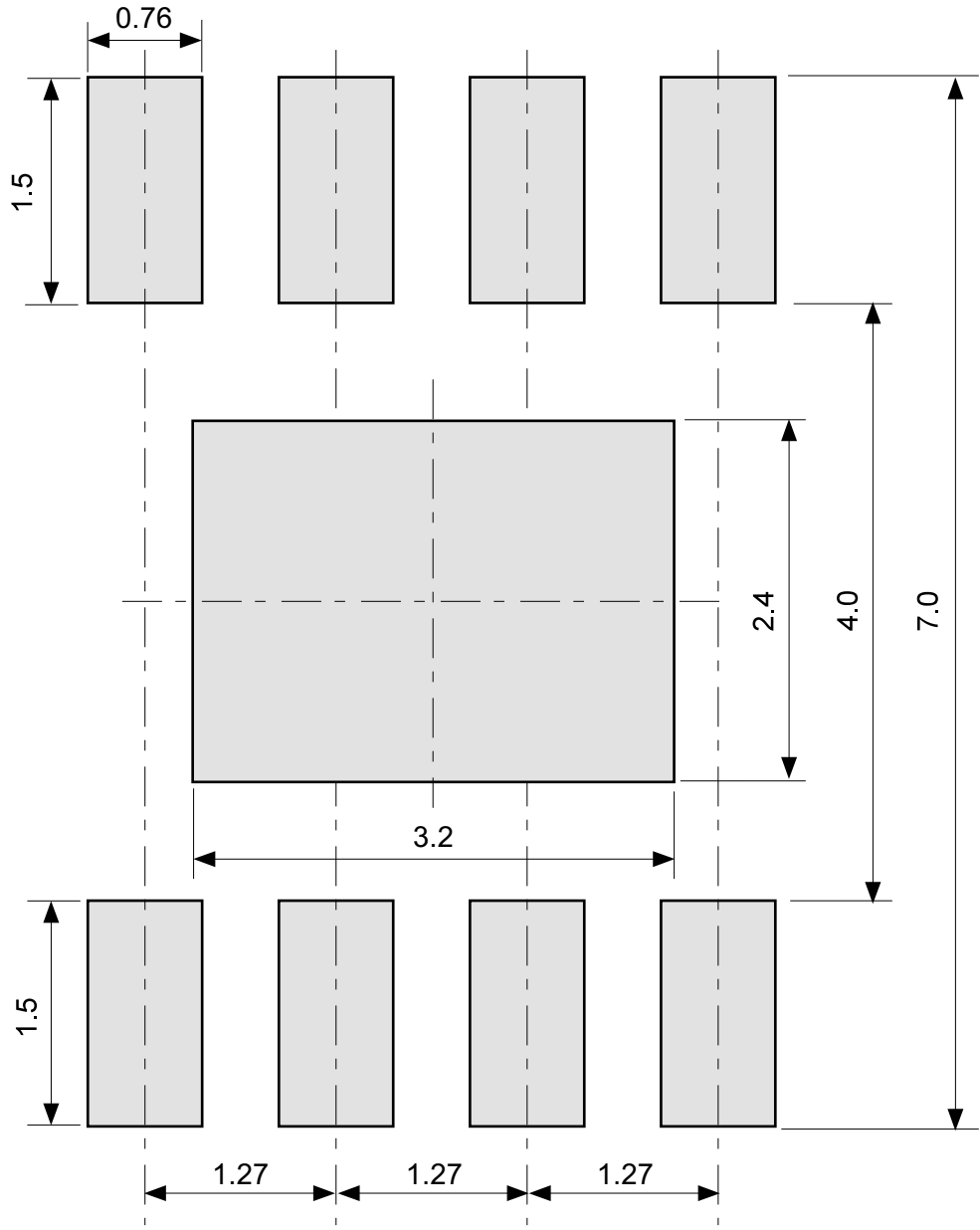
12 : Month of assembly

13 to 16 : Lot No. code

(1) : 1-pin mark

No. FH008-Z-M-SD-1.0

TITLE	HSOP8A-Z-Markings		
No.	FH008-Z-M-SD-1.0		
ANGLE			
UNIT		TYPE	LASER
ABLIC Inc.			



No. FH008-Z-L-SD-1.0

TITLE	HSOP8A-Z -Land Recommendation
No.	FH008-Z-L-SD-1.0
ANGLE	
UNIT	mm
ABLIC Inc.	